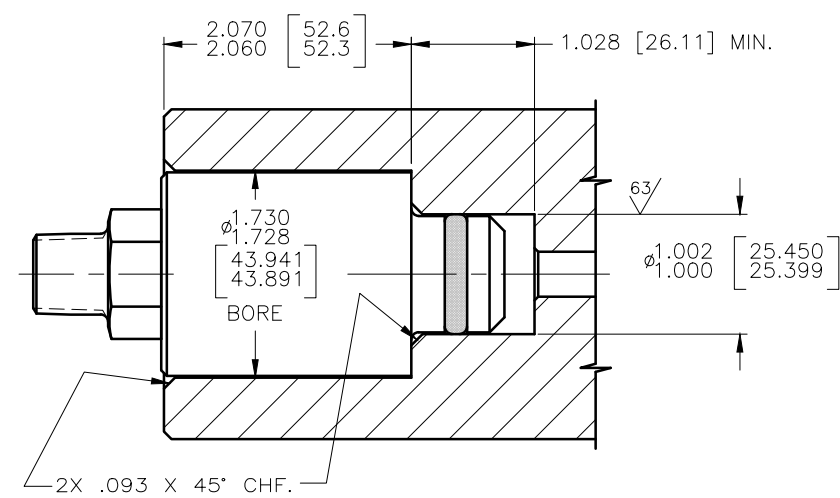
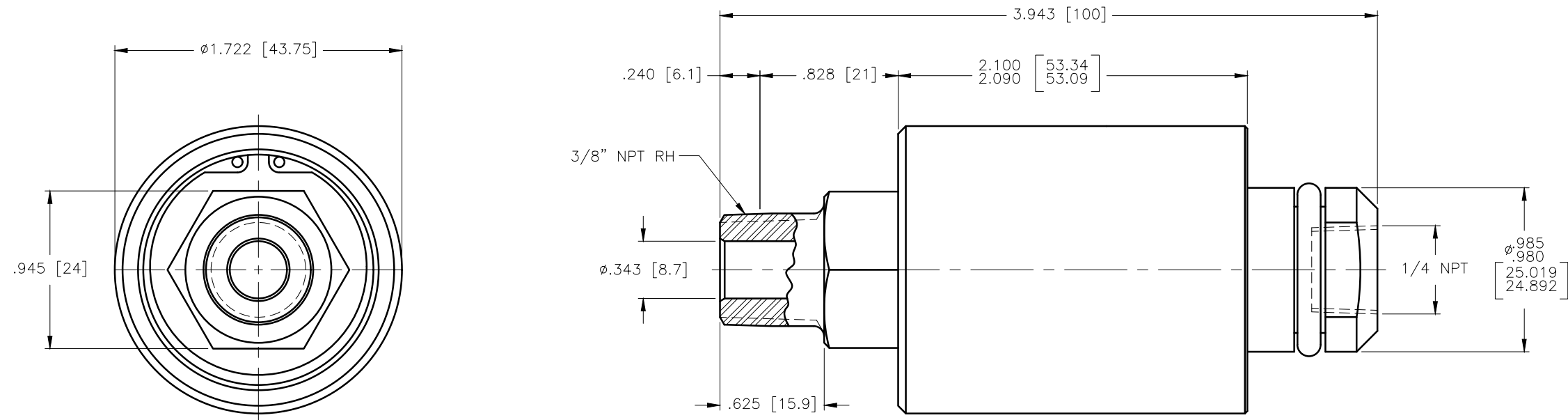
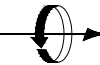


CONFIDENTIAL
 THIS DOCUMENT CONTAINS CONFIDENTIAL AND PROPRIETARY INFORMATION OF DEUBLIN COMPANY. COPYING, USE, TRANSMISSION, DISTRIBUTION, AND DISCLOSURE ARE SUBJECT TO THE TERMS AND CONDITIONS CONTAINED IN YOUR AGREEMENT WITH DEUBLIN COMPANY. ALL RIGHTS RESERVED.



CUSTOMERS SHAFT
 MACHINING DETAIL

OPERATING DATA:
 HYDRAULIC - AIR SERVICE
 500 PSI (35bar) MAX. HYD. PRESSURE
 150 PSI (10bar) MAX. AIR PRESSURE
 3500 RPM (3500/min) MAX. SPEED
 250°F (121°C) MAX. TEMPERATURE

SCALE	2:1	DWG SIZE		UNLESS SPECIFICALLY TOLERANCED, ALL DIMENSIONS ARE REFERENCE	 DEUBLIN COMPANY WAUKEGAN, ILLINOIS, U.S.A.
DRN	RM	07/30/04			
ENGR	ARS	07/30/04			
APPD	ARS	07/30/04			
PART NO.				DIMENSIONS IN [] ARE IN MILLIMETERS.	TITLE: INTERFACE CONTROL DRAWING OF DEUBLIN UNION 1115-130-002
CUSTOMER					DWG NO. 1115-130-002
A	UPDATED GEOMETRY OF HOUSING	017396	03/12	NR	C.A.D. DRAWING
LET.	REVISION	ECO	DATE	SIGN	