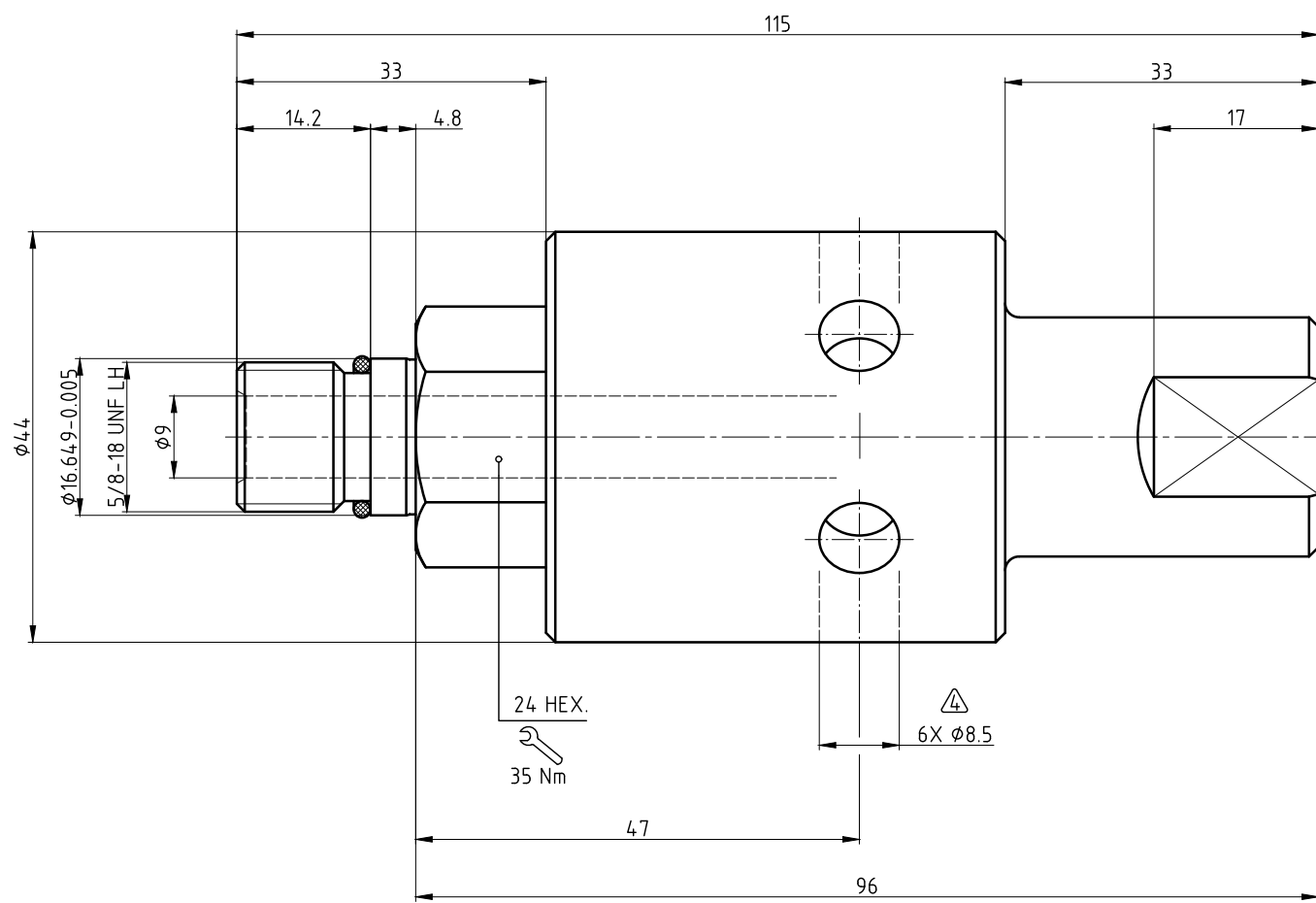
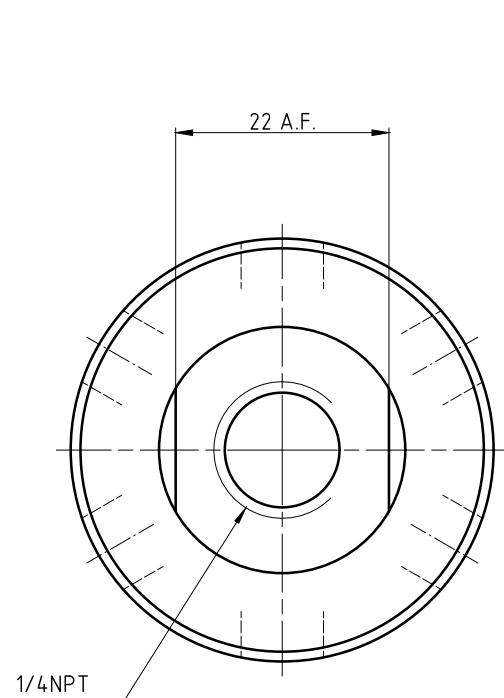
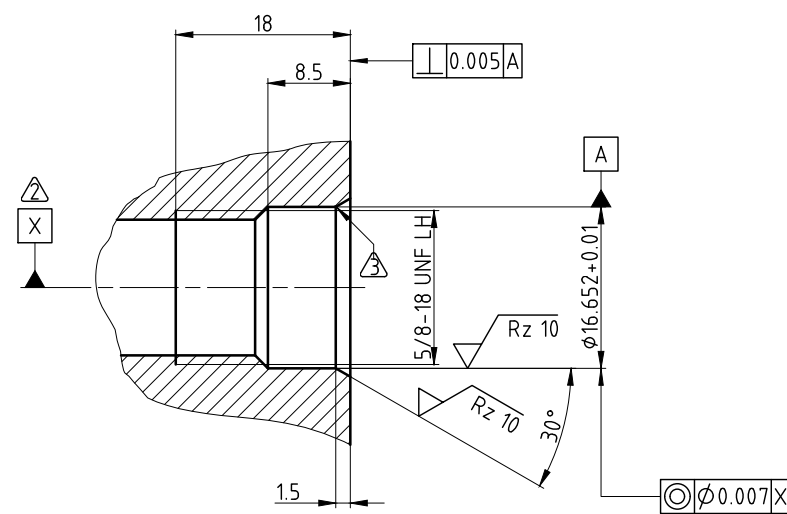


NOTES:

- 1 - USE INSTRUCTION MANUAL 040-554!
- SPINDLE BEARING ARRANGEMENT
- ROUNDED
- VENT



CUSTOMER'S INTERFACE



OPERATING DATA		
MEDIA	COOLANT	MQL
PRESSURE MAX.	70 bar	10 bar
SPEED MAX.	12000 min <sup>-1</sup>	12000 min <sup>-1</sup>
TEMPERATURE MAX.	70 °C	70 °C
FLOW RATE MAX.	82 l/min	2550 Nl/min
DRY RUN	NO	



PROJECTION: SCALE: 2:1  
 MATERIAL: INTERFACE CONTROL DRAWING

DATE	NAME
DRN. 10.05.2010	CW
ENGR. 10.05.2010	FD
APPD.	

TITLE: DEUBLIN ROTATING UNION  
 DEUBLIN Drehdurchführung  
 NO. 1116-048-059

ISSUE MODIFICATION ECO DATE SIGN

UNLESS SPECIFICALLY TOLERANCED, ALL DIMENSIONS ARE CONSIDERED REFERENCE

SHEET A2