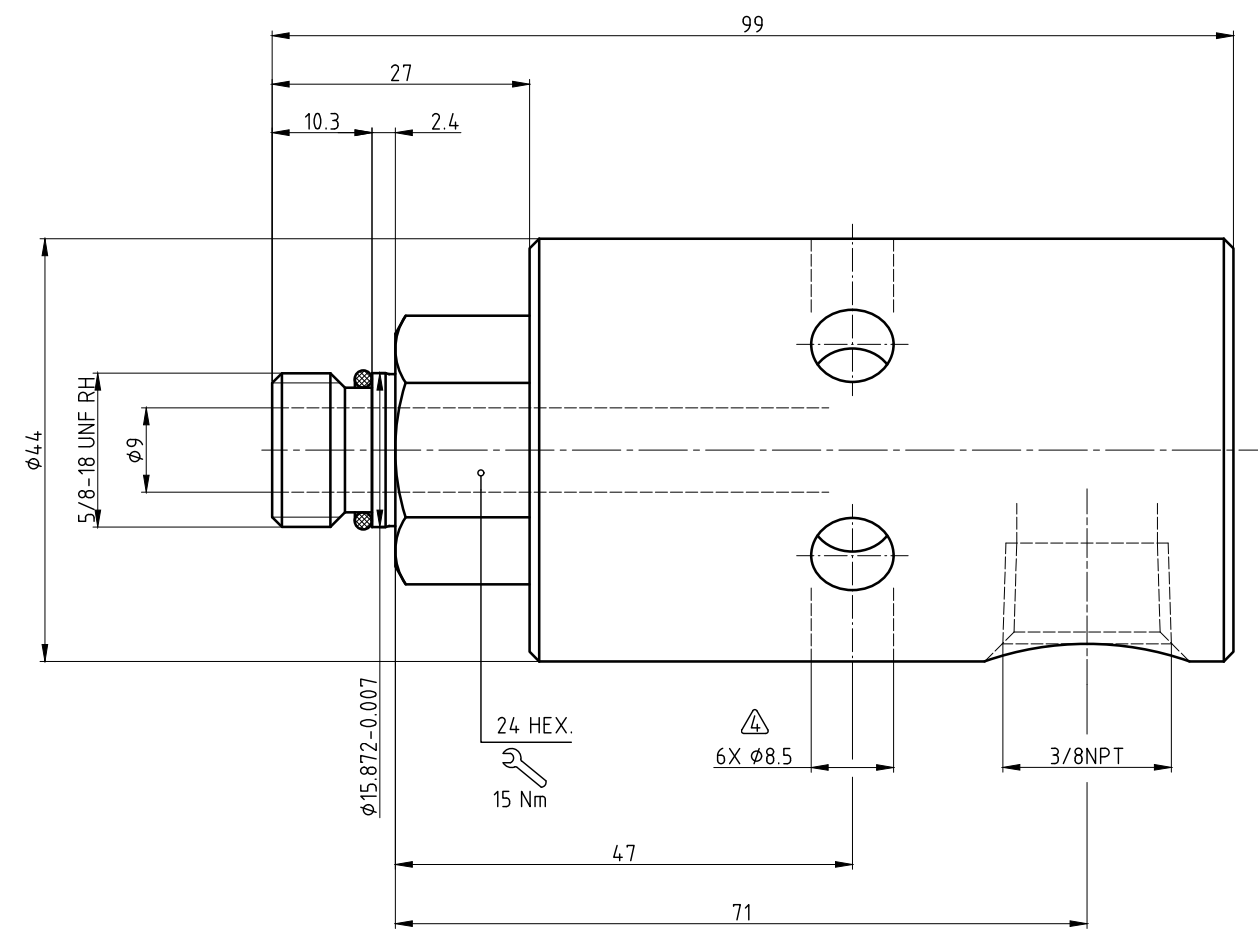
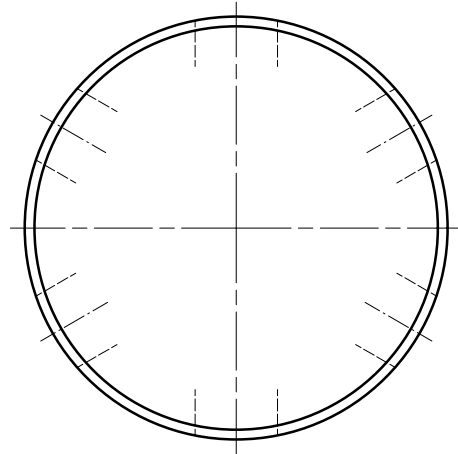
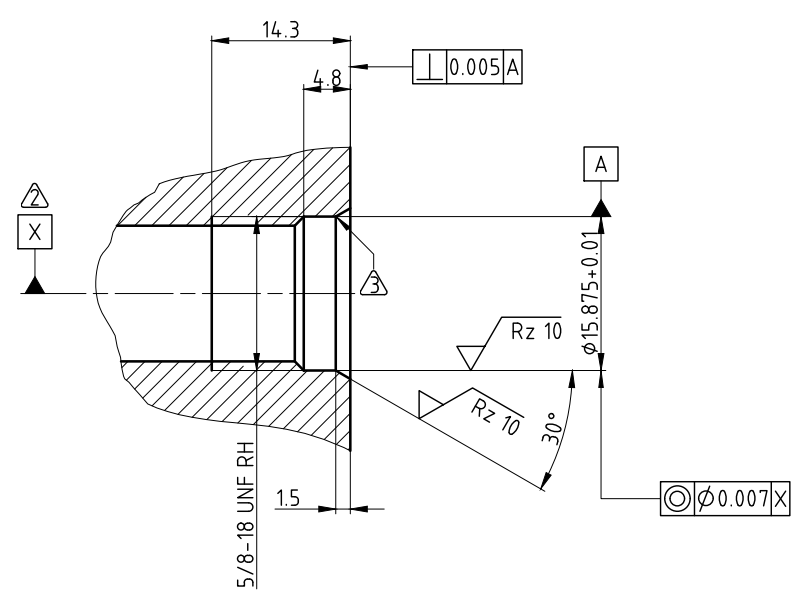


NOTES:

- 1 - USE INSTRUCTION MANUAL 040-554!
- SPINDLE BEARING ARRANGEMENT
- ROUNDED
- VENT



CUSTOMER'S INTERFACE



| OPERATING DATA   |                         |                         |
|------------------|-------------------------|-------------------------|
| MEDIA            | COOLANT                 | MQL                     |
| PRESSURE MAX.    | 70 bar                  | 10 bar                  |
| SPEED MAX.       | 12000 min <sup>-1</sup> | 12000 min <sup>-1</sup> |
| TEMPERATURE MAX. | 70 °C                   | 70 °C                   |
| FLOW RATE MAX.   | 82 l/min                | 2550 Nl/min             |
| DRY RUN          | NO                      |                         |



| ISSUE | MODIFICATION | ECO | DATE | SIGN |
|-------|--------------|-----|------|------|
|       |              |     |      |      |
|       |              |     |      |      |
|       |              |     |      |      |

|                  |      |
|------------------|------|
| PROJECTION:      |      |
| DATE             | NAME |
| DRN. 10.05.2010  | CW   |
| ENGR. 10.05.2010 | FD   |
| APPD.            |      |

|           |  |
|-----------|--|
| SCALE:    | 2:1  |
| MATERIAL: | INTERFACE CONTROL DRAWING                          |
| TITLE:    | DEUBLIN ROTATING UNION<br>DEUBLIN Drehdurchführung |
| NO.       | 1116-090-043                                       |