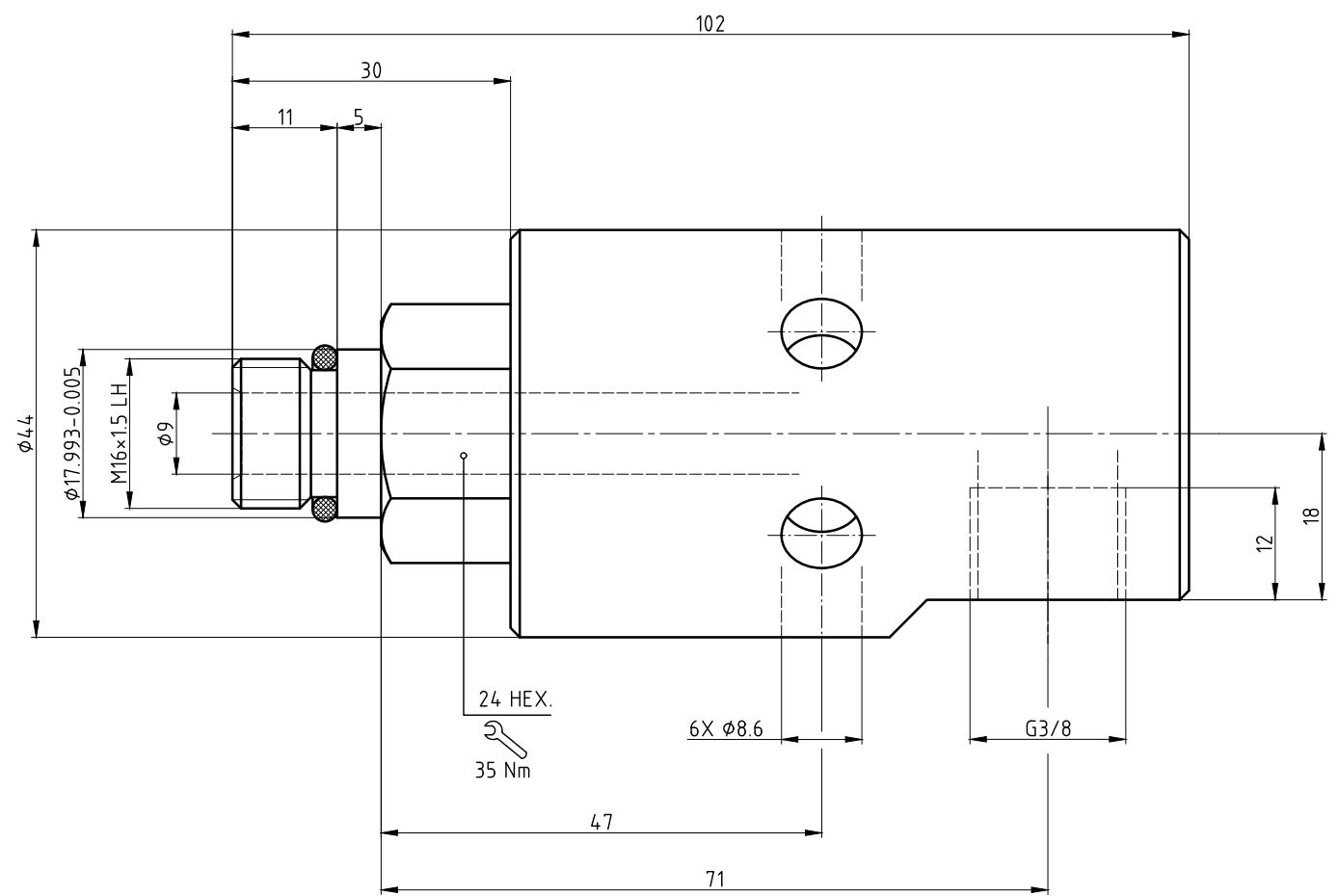
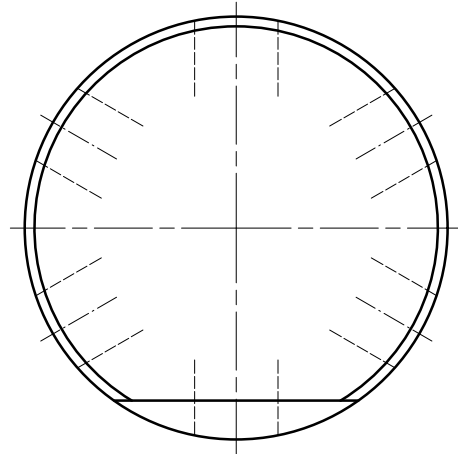


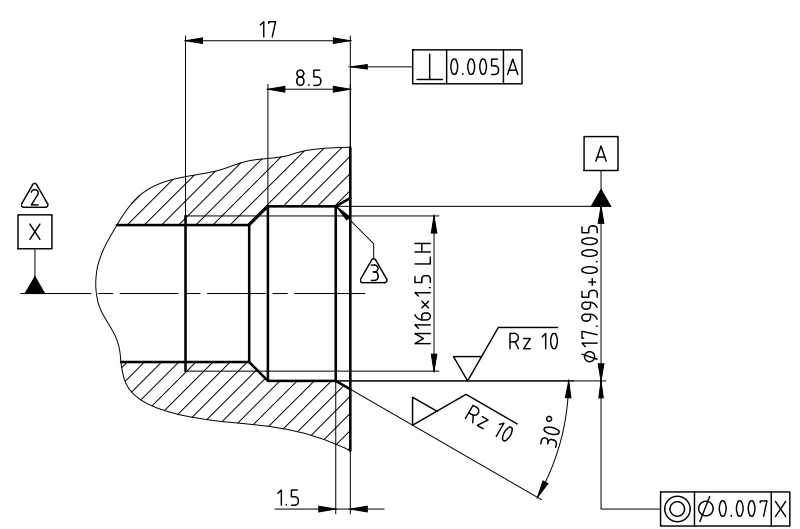
NOTES:

1 - CONTACT DEUBLIN OR VISIT WWW.DEUBLIN.COM
 FOR INSTRUCTION MANUAL: 040-552

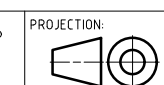
- ② - SPINDLE BEARING
- ③ - ROUNDED



CUSTOMER'S INTERFACE



OPERATING DATA		
MEDIA	COOLANT	MQL
PRESSURE MAX.	70 bar	10 bar
SPEED MAX.	12000 min ⁻¹	12000 min ⁻¹
TEMPERATURE MAX.	70 °C	70 °C
FLOW RATE MAX.	82 l/min	2550 NI/min
DRY RUN	NO	



PROJECTION: SCALE: 2:1
 MATERIAL: INTERFACE CONTROL DRAWING

DATE	NAME	TITLE
DRN. 19.04.2010	CW	DEUBLIN ROTATING UNION DEUBLIN Drehdurchführung
ENGR. 19.04.2010	FD	
APPD.		

NO. 1116-555-463
 SHEET A2

ISSUE	MODIFICATION	ECO	DATE	CW	SIGN
A	UPDATE TO MS	0174.4.0	03/12	CW	

UNLESS SPECIFICALLY TOLERANCED, ALL DIMENSIONS ARE CONSIDERED REFERENCE