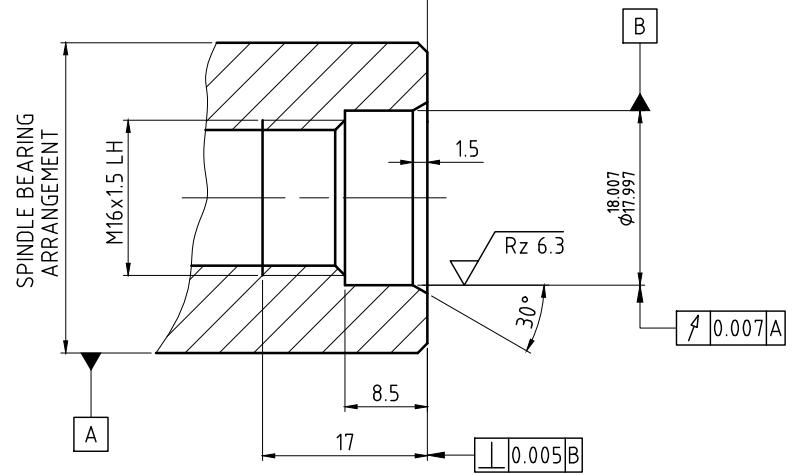
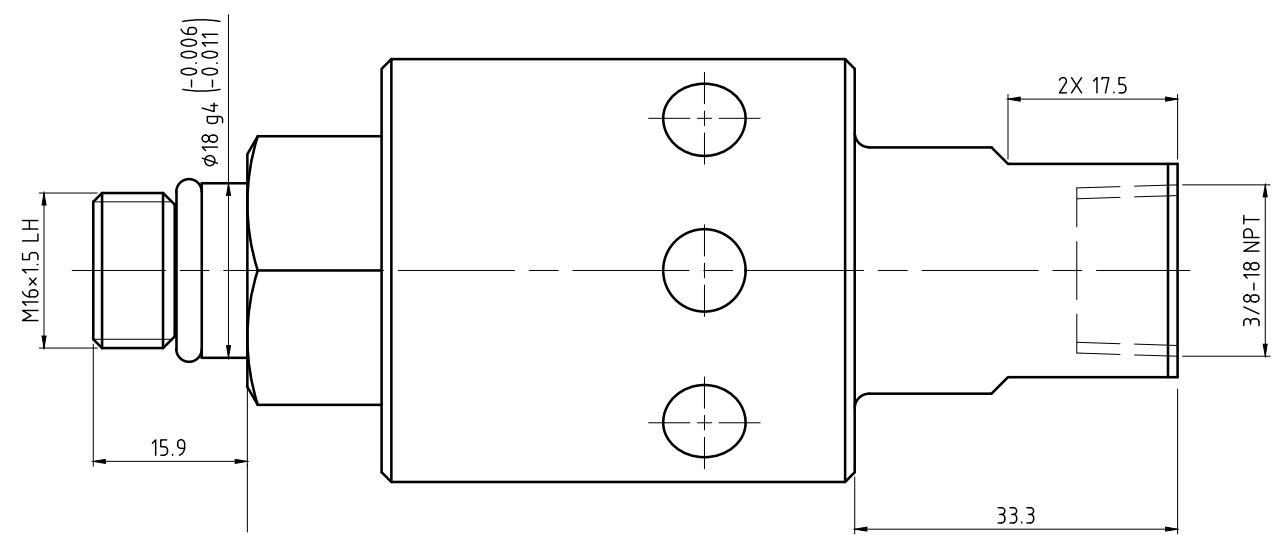
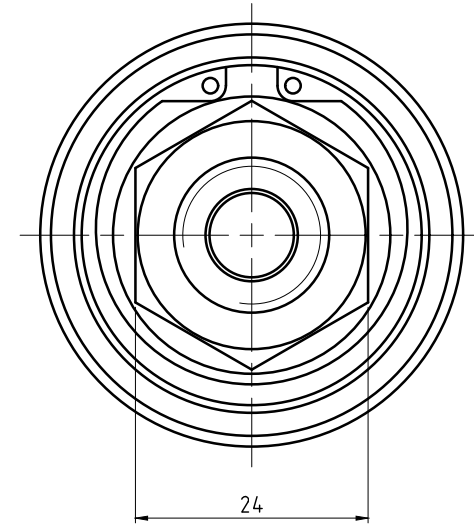
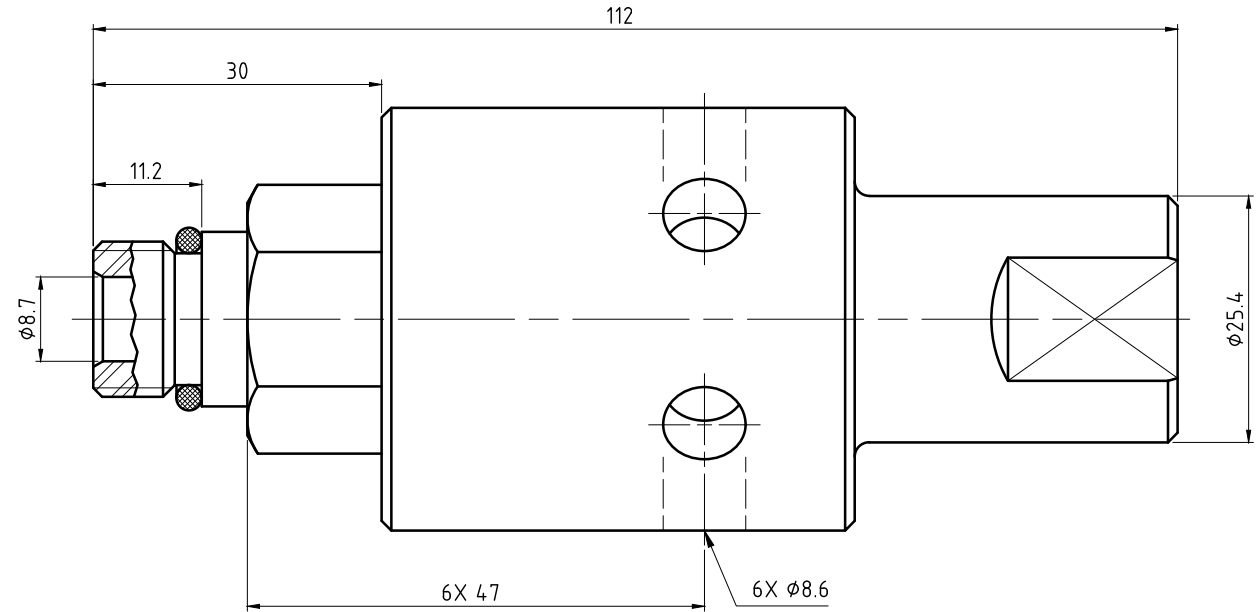
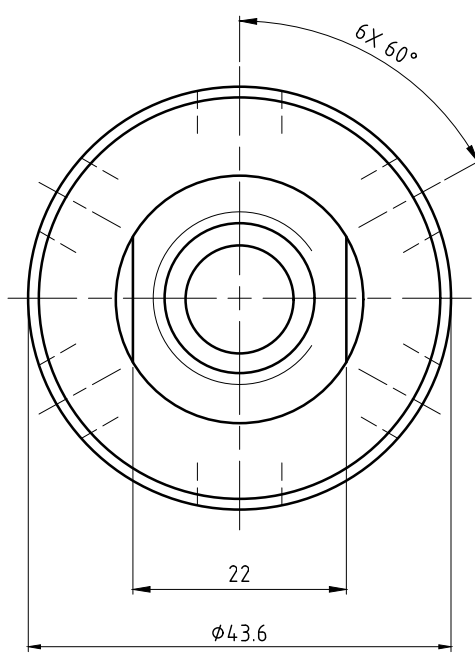


CONFIDENTIAL
 THIS DOCUMENT CONTAINS CONFIDENTIAL AND PROPRIETARY
 INFORMATION OF DEUBLIN COMPANY. COPYING, USE,
 TRANSMISSION, DISTRIBUTION, AND DISCLOSURE ARE SUBJECT
 TO THE TERMS AND CONDITIONS CONTAINED IN YOUR
 AGREEMENT WITH DEUBLIN COMPANY. ALL RIGHTS RESERVED.

φ18	g4	-0.006	17.994
Dimen.	Fit	-0.011	17.989



CUSTOMER'S SPINDLE END

OPERATING DATA / Betriebsdaten		
MEDIA/Medium	COOLANT	KSS
p max.	1000 PSI	70 bar
n max.	10000 RPM	10000 1/min
t max.	160 °F	70 °C
Q max.	13.2 GPM	50 l/min
FILTRATION/Filterung	60 μm	60 μm

		PROJECTION:	SCALE: 2:1
		MATERIAL: INTERFACE CONTROL DRAWING	
DRN. 01/13/14	NAME N. Reyna	TITLE: DEUBLIN UNION	
ENGR. 01/13/14	T. Wilson		
APPD.			
UNLESS SPECIFICALLY TOLERANCED, ALL DIMENSIONS ARE CONSIDERED REFERENCE		NO. 1116-600-463	SHEET A2
ISSUE	MODIFICATION	ECO	DATE