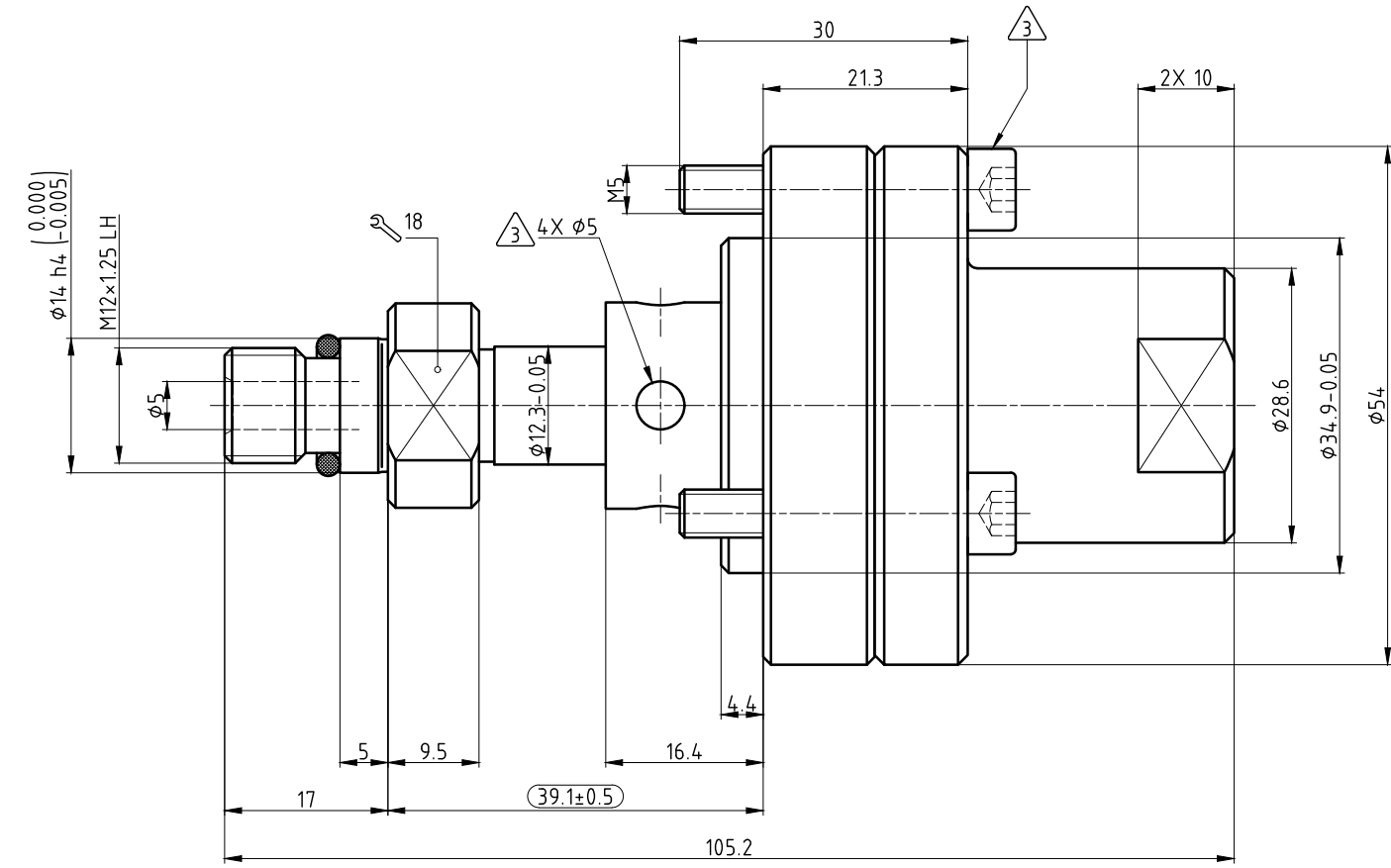
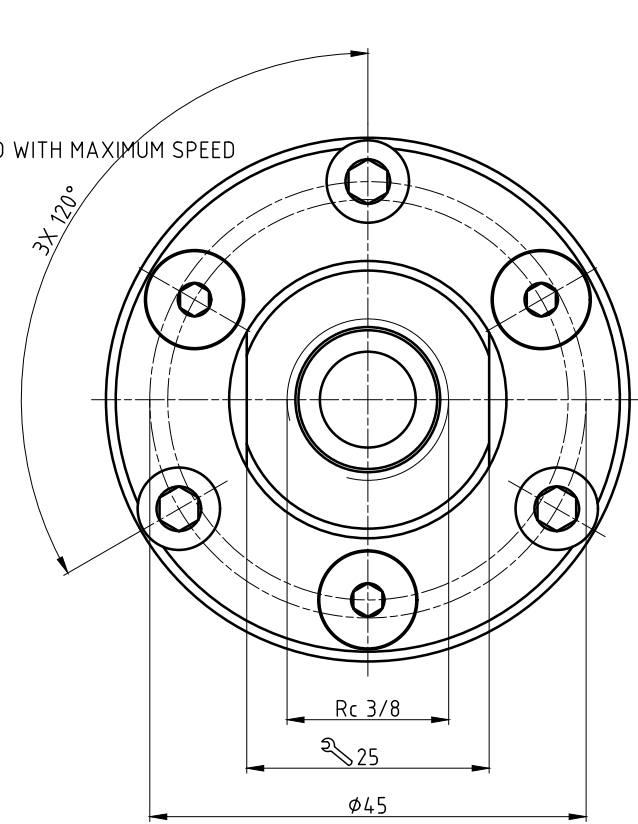


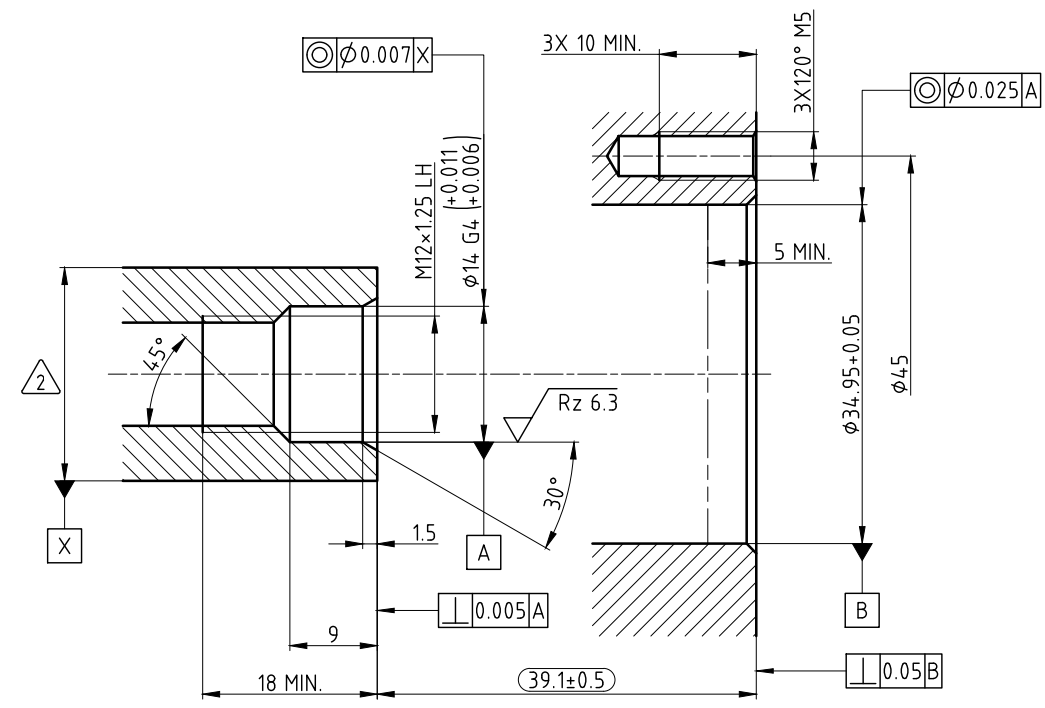
CONFIDENTIAL
 THIS DOCUMENT CONTAINS CONFIDENTIAL AND PROPRIETARY INFORMATION OF DEUBLIN COMPANY. COPYING, USE, TRANSMISSION, DISTRIBUTION, AND DISCLOSURE ARE SUBJECT TO THE TERMS AND CONDITIONS CONTAINED IN YOUR AGREEMENT WITH DEUBLIN COMPANY. ALL RIGHTS RESERVED.

NOTES:

- 1 - CONTACT DEUBLIN OR VISIT WWW.DEUBLIN.COM FOR INSTRUCTION MANUAL: 040-552.
- 2 - SPINDLE BEARING ARRANGEMENT
- 3 - VENT HOLE
- 4 - 3X SCREW M5x30 SUPPLIED BY DEUBLIN.
- 5 - OPERATION AT MAXIMUM PRESSURE COMBINED WITH MAXIMUM SPEED SHOULD BE AVOIDED.



CUSTOMER INTERFACE



| OPERATING DATA | | | |
|------------------------|---------|-------------------------|-------------------------|
| MEDIA | | COOLANT | MQL |
| MEDIA PRESSURE | MAXIMUM | 180 bar | 10 bar |
| | MINIMUM | -- bar | -- bar |
| FLOW RATE | MAXIMUM | 24.3 l/min | 621 NI/min |
| | MINIMUM | -- l/min | -- NI/min |
| TEMPERATURE | MAXIMUM | 70 °C | 70 °C |
| | MINIMUM | 5 °C | 5 °C |
| MAXIMUM SPEED | | 50000 min ⁻¹ | 50000 min ⁻¹ |
| AXIAL FORCE | | 6.98 N/bar | |
| DRY RUN | | NO | |
| RECOMMENDED FILTRATION | | ISO 4406 CLASS 17/15/12 | |

DEUBLIN
 Engineered for Performance

PROJECTION:

SCALE: 2:1

MATERIAL: INTERFACE CONTROL DRAWING

TITLE: DEUBLIN BEARINGLESS UNION
 DEUBLIN Dichtungssatz

NO. 1117-490-493

SHEET A2

| | | |
|-------|------------|----|
| DRN. | 07.03.2014 | FD |
| ENGR. | 07.03.2014 | CW |
| APPD. | | |

UNLESS SPECIFICALLY TOLERANCED, ALL DIMENSIONS ARE CONSIDERED REFERENCE