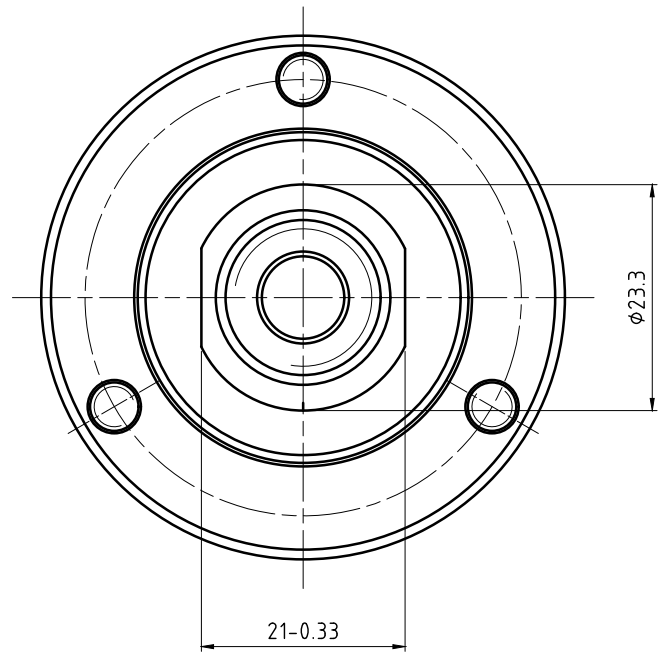
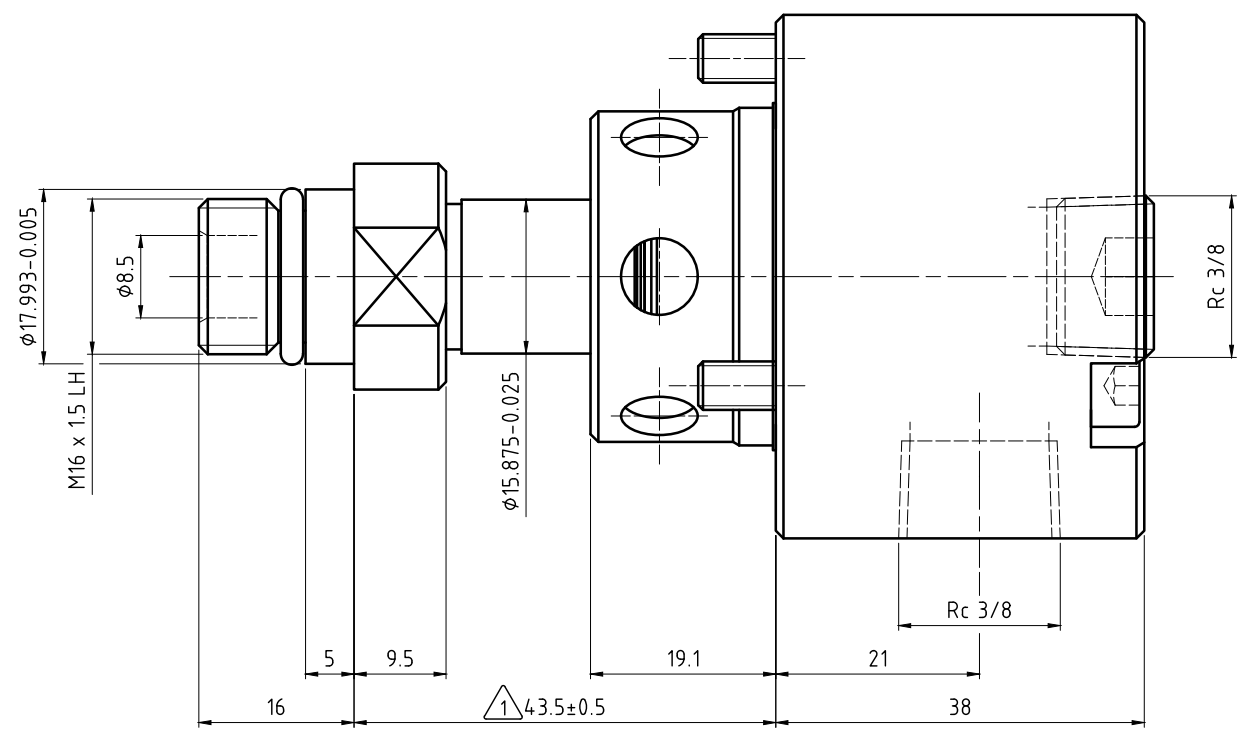
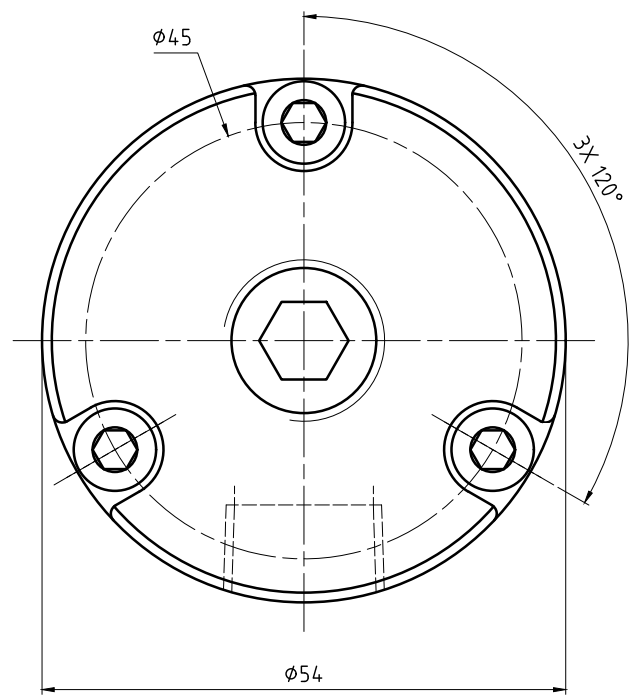
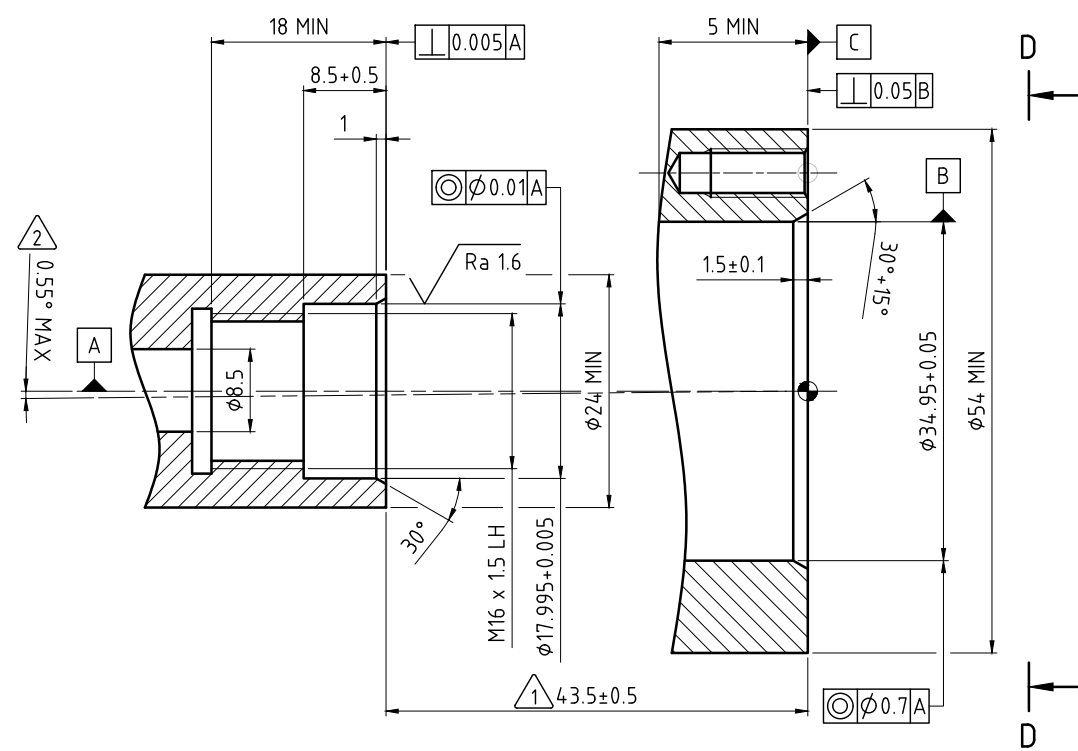
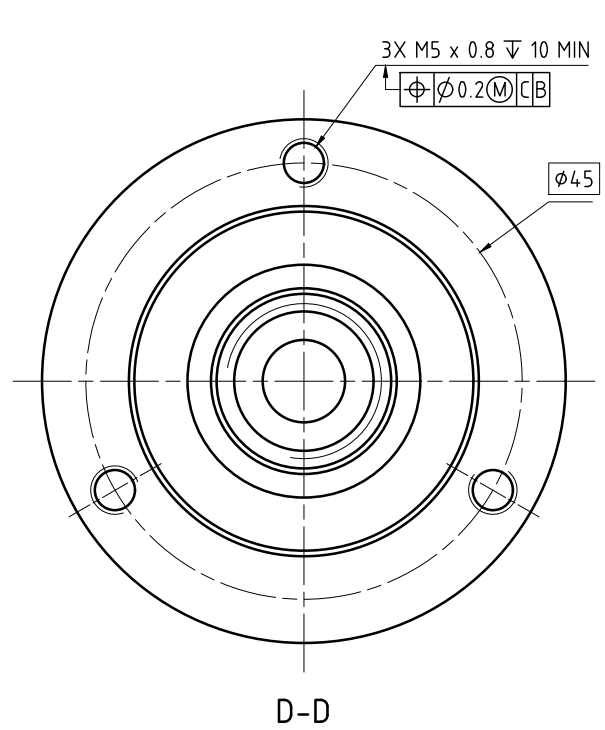


NOTES:

- ① - MOUNTING DIMENSION
- ② - ACCEPTABLE ANGULAR MIS-ALIGNMENT FROM PIVOT POINT AT ANY MOUNTING DISTANCE.



③
 CUSTOMER INTERFACE



| OPERATING DATA | | | |
|------------------------|---------|--------------------------|-------------------------|
| MEDIA | | COOLANT | MQL |
| PRESSURE | MAXIMUM | 140 bar | 10 bar |
| | MINIMUM | 5 bar | 5 bar |
| FLOW RATE | MAXIMUM | 25.7 L/min | 1176 NL/min |
| | MINIMUM | 5.7 L/min | - NL/min |
| TEMPERATURE | MAXIMUM | 70 °C | 70 °C |
| | MINIMUM | 5 °C | 5 °C |
| MAXIMUM SPEED | | 40000 min ⁻¹ | 40000 min ⁻¹ |
| AXIAL FORCE | | 12.7 N/bar (889 N/7 MPa) | |
| DRY RUN | | UNPRESSURIZED ONLY | |
| RECOMMENDED FILTRATION | | ISO 4406 CLASS 17/15/12 | |

DEUBLIN
 Engineered for Performance

PROJECTION:

SCALE: 2:1

MATERIAL: INTERFACE CONTROL DRAWING

| | | | |
|------------------|------|--------|--------------------------------------|
| DATE | NAME | TITLE: | DEUBLIN BEARINGLESS UNION, Rc 3/8 |
| DRN. 05/20/2003 | RM | | |
| ENGR. 05/20/2003 | ARS | | |
| APPD. | | | |

NO. 1121-300-345

SHEET A2

UNLESS SPECIFICALLY TOLERANCED, ALL DIMENSIONS ARE CONSIDERED REFERENCE

| | | | | |
|-------|----------------|--------|-------|------|
| G | UPDATED FORMAT | 016532 | 01/12 | AL |
| ISSUE | MODIFICATION | ECO | DATE | SIGN |