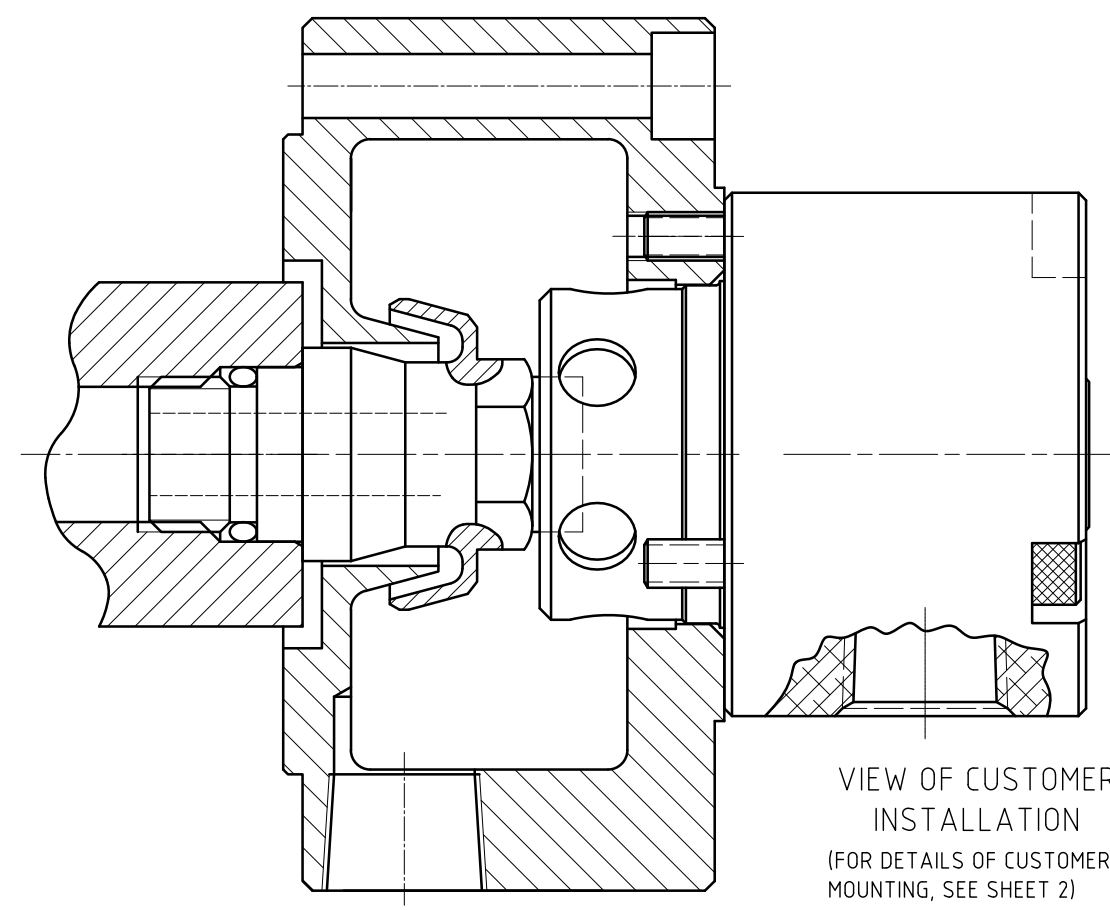
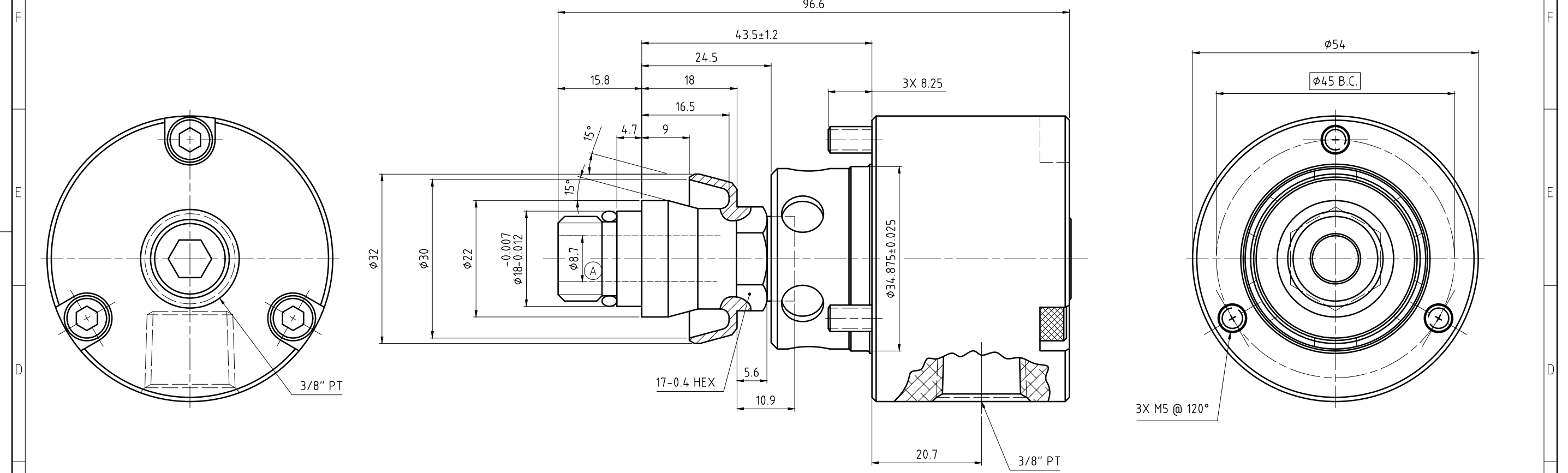


CONFIDENTIAL
 THIS DOCUMENT CONTAINS CONFIDENTIAL AND PROPRIETARY
 INFORMATION OF DEUBLIN COMPANY. COPYING, USE,
 TRANSMISSION, DISTRIBUTION, AND DISCLOSURE ARE SUBJECT
 TO THE TERMS AND CONDITIONS CONTAINED IN YOUR
 AGREEMENT WITH DEUBLIN COMPANY. ALL RIGHTS RESERVED.



VIEW OF CUSTOMER
 INSTALLATION
 (FOR DETAILS OF CUSTOMER
 MOUNTING, SEE SHEET 2)

OPERATING DATA	
MEDIA	COOLANT
MAX COOLANT PRESSURE	14.0 bar
MAX SPEED	40,000/min
MAX FLOW RATE	87 L/min
MAX TEMPERATURE	71°C

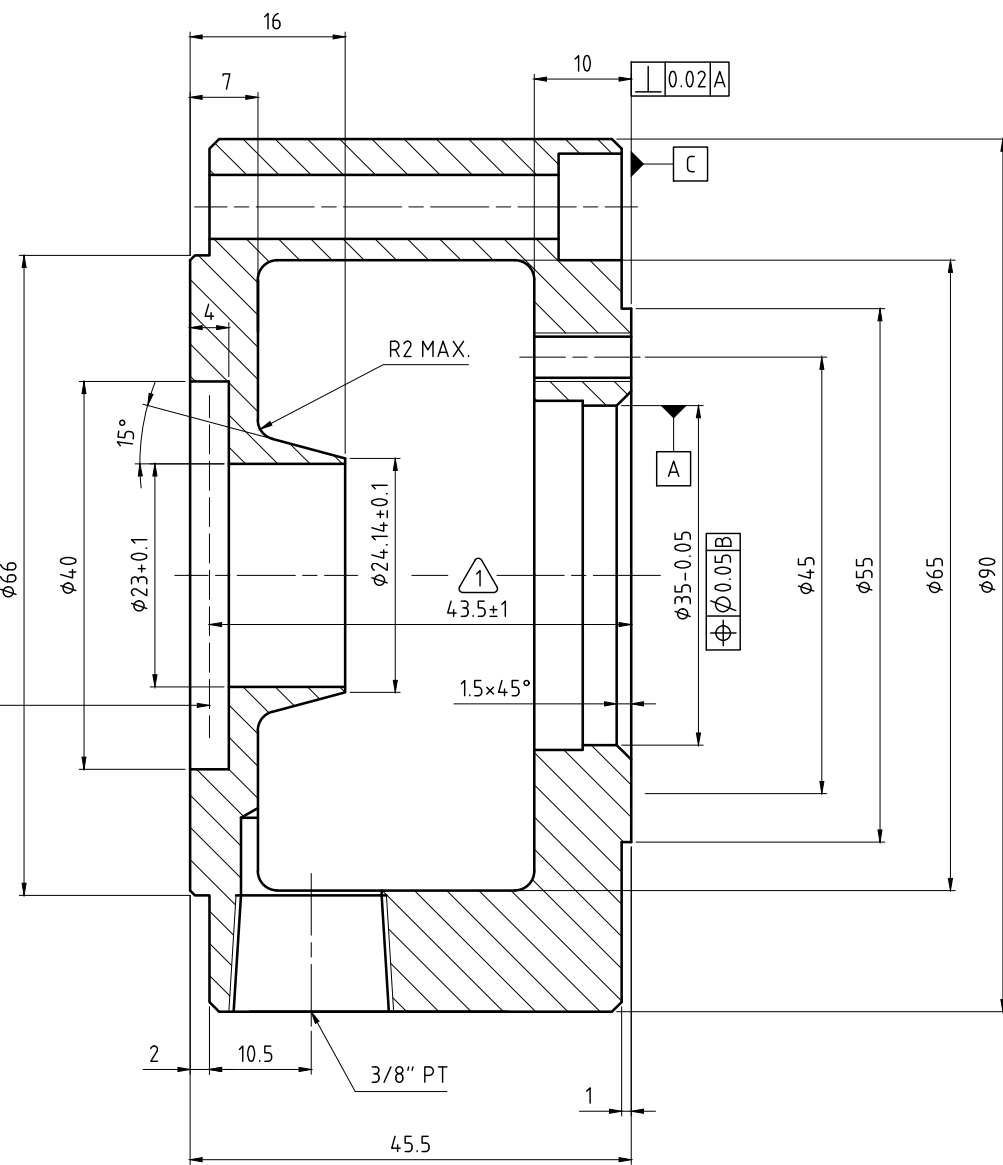
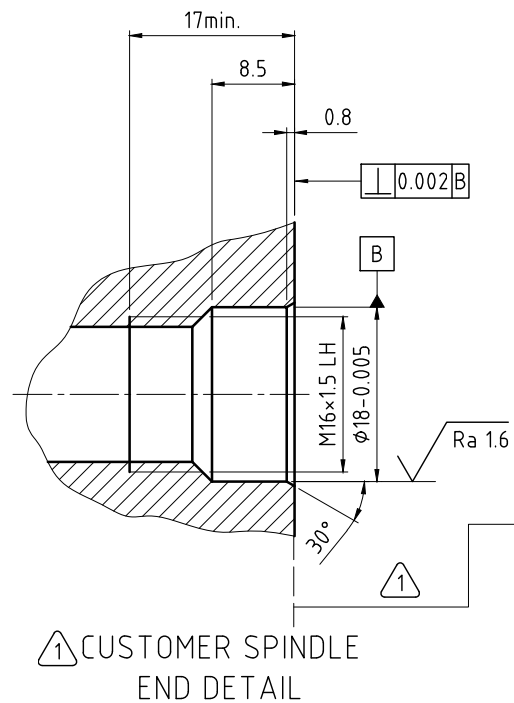
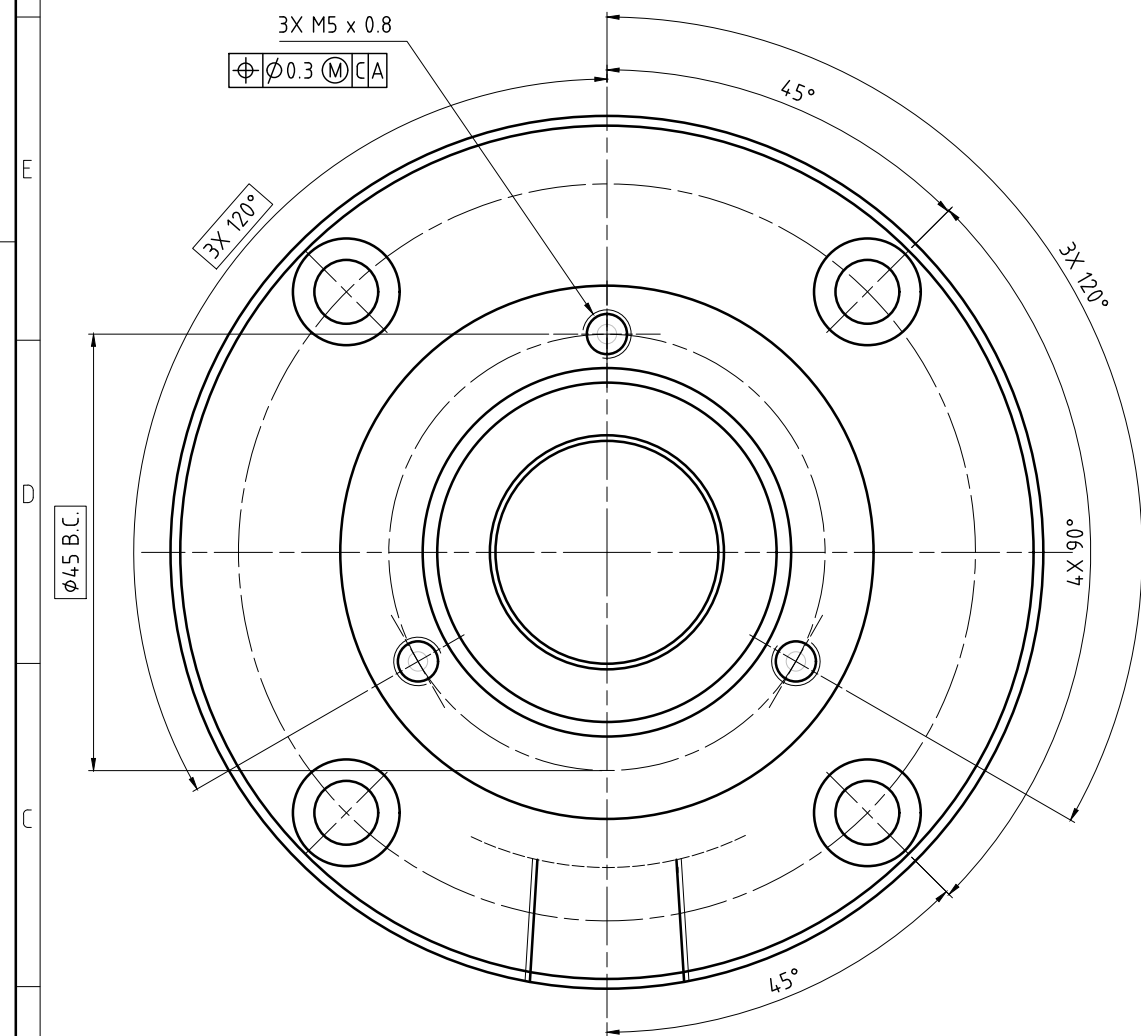
WARNING:
 FOR EVERY 7 bar OF COOLANT PRESSURE,
 APPROX. 9.1 Kg OF FORCE IS EXERTED ON THE
 UNION SIDE OF THE SPINDLE.

PATENT PENDING

SHEET 1 OF 2

 DEUBLIN COMPANY WAUKEGAN, ILLINOIS, U.S.A.	PROJECTION: 	SCALE: 2:1 MATERIAL:						
	DATE: 02/04/2008 NAME: galindolm ENGR. APPD.	TITLE: INTERFACE CONTROL DRAWING BEARINGLESS UNION						
A WAS 87 IN ERROR ISSUE MODIFICATION ECO DATE SIGN	GENERAL TOLERANCES: ISO 2768 - mK EDGES OF UNDEFINED SHAPE: ISO 13715	NO. 1121-330-240	SHEET A2					
Permissible deviation for basic size range								
Tolerance class	0.5 up to 3	over 3 up to 6	over 6 up to 30	over 30 up to 120	over 120 up to 400	over 400 up to 1000	over 1000 up to 2000	over 2000 up to 4000
DIN ISO 2768-m	± 0.1	± 0.1	± 0.2	± 0.3	± 0.5	± 0.8	± 1.2	± 2

NOTES:
 ① - DIMENSION SHOWN IS DISTANCE BETWEEN MOUNTING SURFACES OF UNION HOUSING AND ROTOR.
 SPINDLE END DETAIL SHOWN BACKED OUT OF POSITION FOR DRAWING CLARITY.



CUSTOMER DRAIN
 BOX DETAIL

SHEET 2 OF 2

DEUBLIN COMPANY WAUKEGAN, ILLINOIS, U.S.A.		PROJECTION: 	SCALE: 2:1 MATERIAL:
DATE: 02/04/2008 NAME: galindolm		TITLE: INTERFACE CONTROL DRAWING BEARINGLESS UNION	
GENERAL TOLERANCES: ISO 2768 - mK EDGES OF UNDEFINED SHAPE: ISO 13715		NO. 1121-330-240	SHEET A2
Permissible deviation for basic size range			
Tolerance class	0.5 up to 3	over 3 up to 6	over 6 up to 30
	over 30 up to 120	over 120 up to 400	over 400 up to 1000
	over 1000 up to 2000	over 2000 up to 4000	
DIN ISO 2768-m	± 0.1	± 0.1	± 0.2
	± 0.3	± 0.5	± 0.8
	± 1.2	± 2	