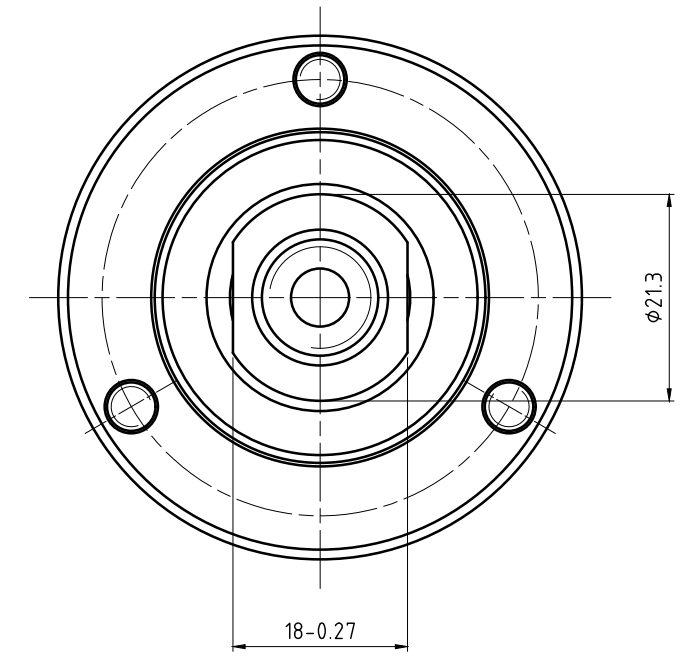
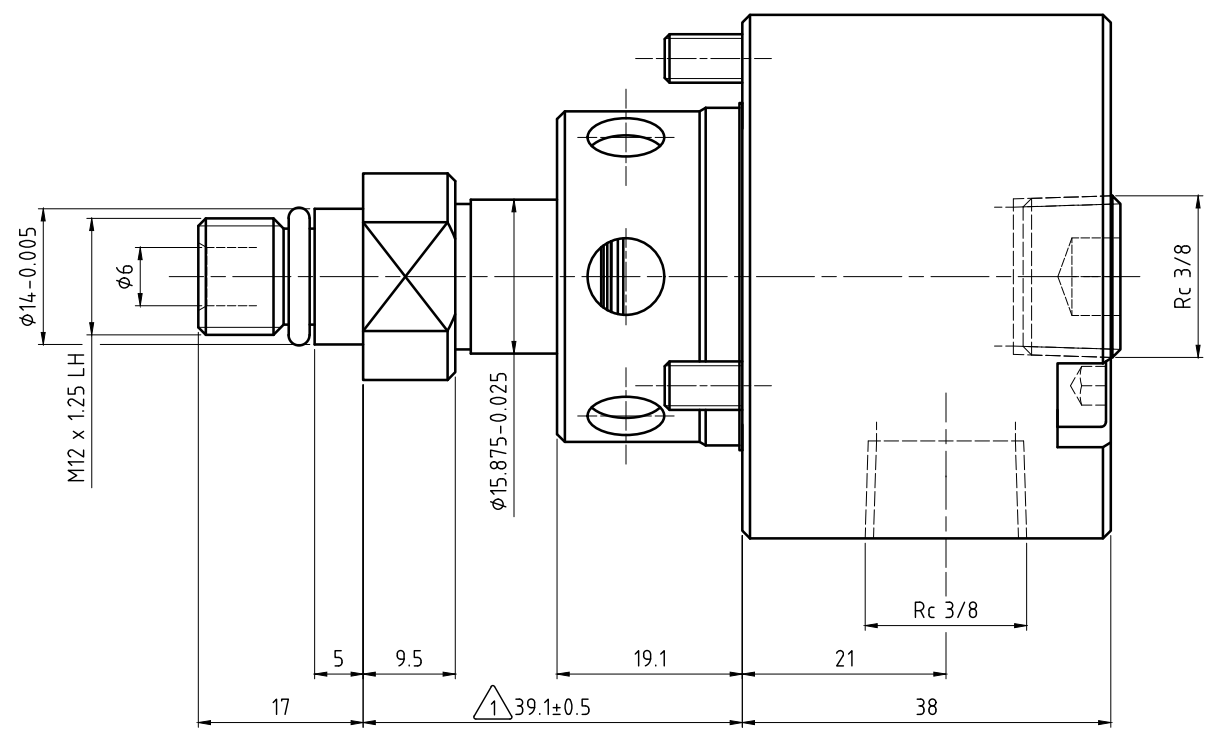
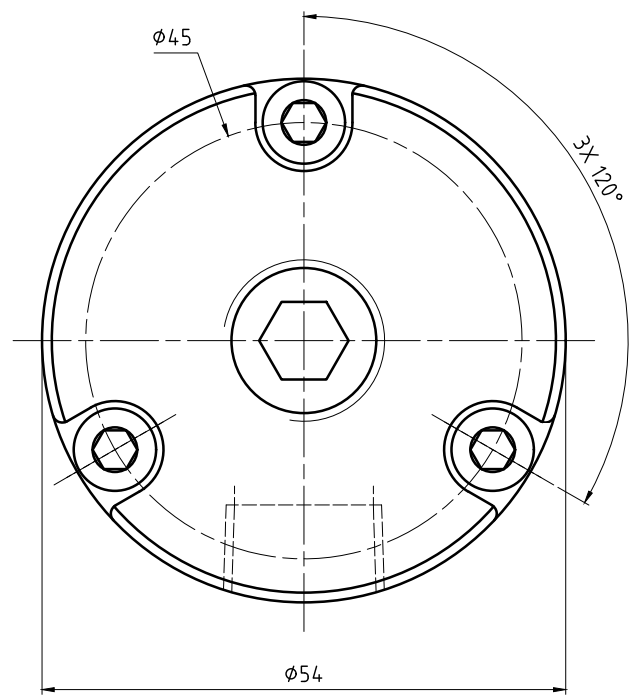
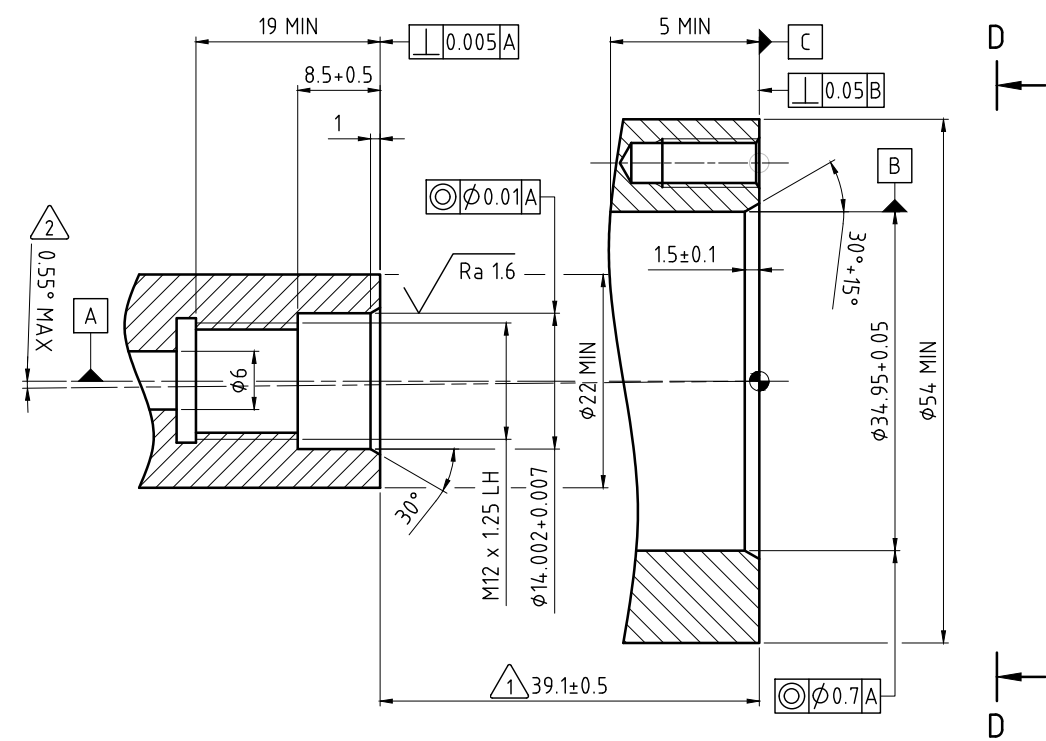
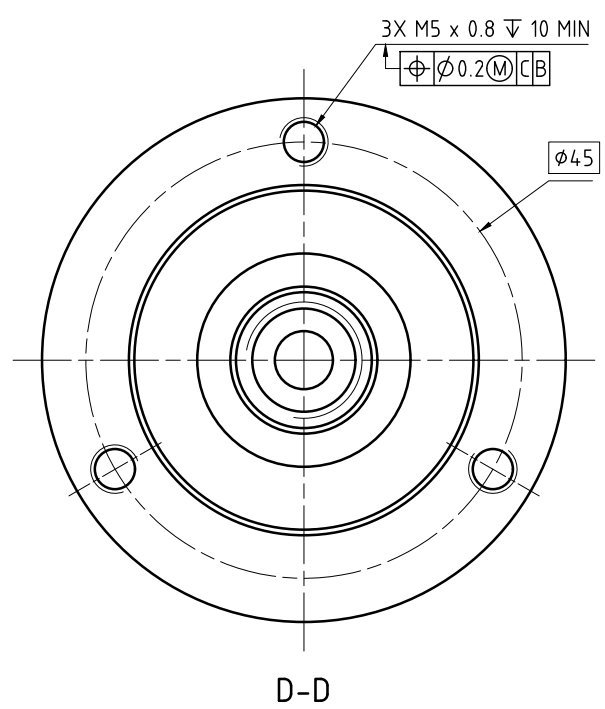


NOTES:

- ① - MOUNTING DIMENSION
- ② - ACCEPTABLE ANGULAR MIS-ALIGNMENT FROM PIVOT POINT AT ANY MOUNTING DISTANCE.



④
 CUSTOMER INTERFACE



OPERATING DATA			
MEDIA		COOLANT	MQL
PRESSURE	MAXIMUM	140 bar	10 bar
	MINIMUM	5 bar	5 bar
FLOW RATE	MAXIMUM	41.3 L/min	1920 NL/min
	MINIMUM	5.7 L/min	- NL/min
TEMPERATURE	MAXIMUM	70 °C	70 °C
	MINIMUM	5 °C	5 °C
MAXIMUM SPEED		40000 min ⁻¹	40000 min ⁻¹
AXIAL FORCE		12.7 N/bar (889 N/7 MPa)	
DRY RUN		UNPRESSURIZED ONLY	
RECOMMENDED FILTRATION		ISO 4406 CLASS 17/15/12	

DEUBLIN
 Engineered for Performance

PROJECTION:

SCALE: 2:1

MATERIAL: INTERFACE CONTROL DRAWING

TITLE: DEUBLIN BEARINGLESS UNION, Rc 3/8

NO. 1121-330-327

SHEET A2

DATE	NAME	TITLE
DRN. 04/02/2003	RM	DEUBLIN BEARINGLESS UNION, Rc 3/8
ENGR. 04/02/2003	ARS	
APPD.		

ISSUE	MODIFICATION	ECO	DATE	AL	SIGN
H	UPDATED FORMAT	016532	01/12	AL	

UNLESS SPECIFICALLY TOLERANCED, ALL DIMENSIONS ARE CONSIDERED REFERENCE