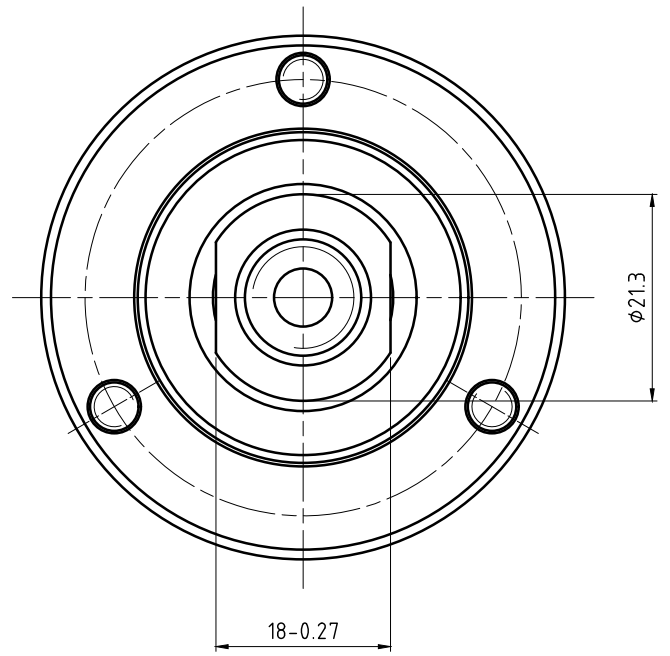
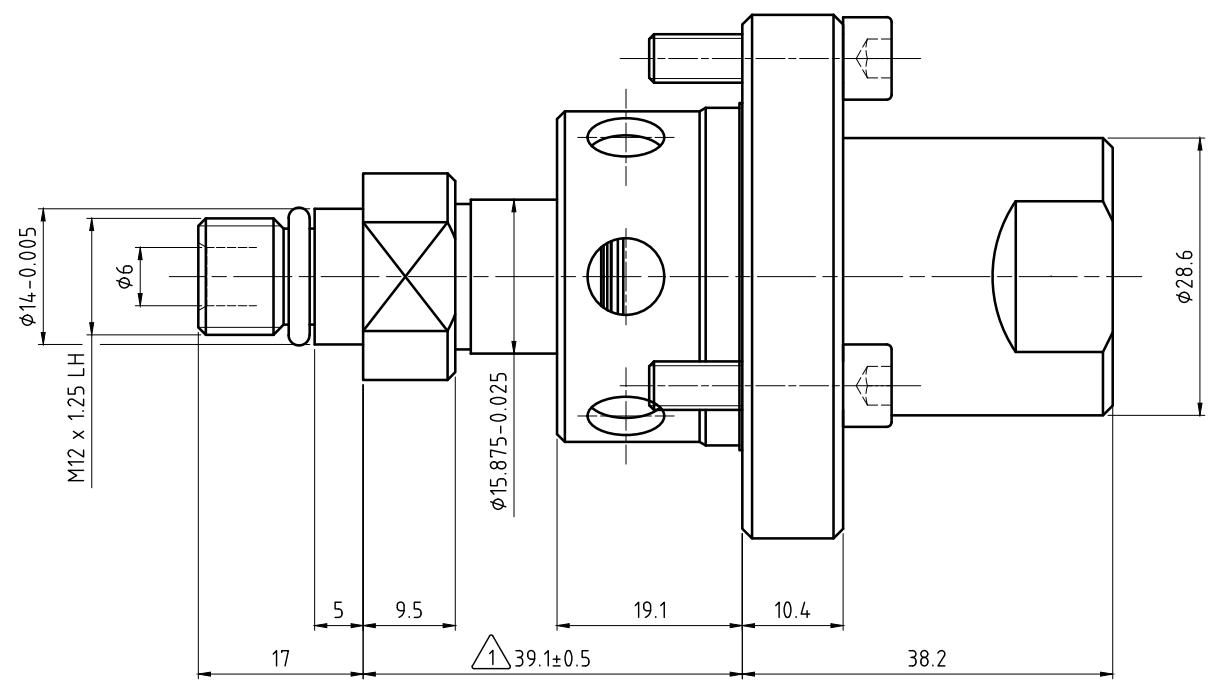
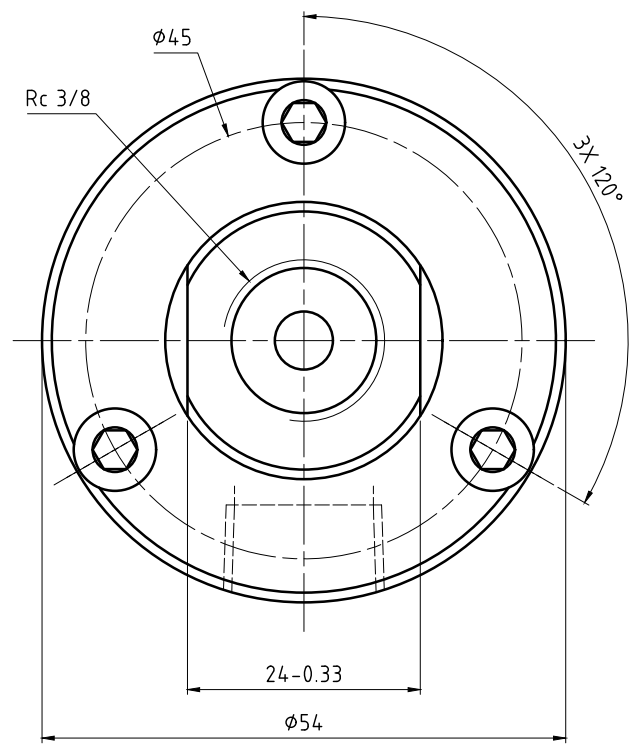
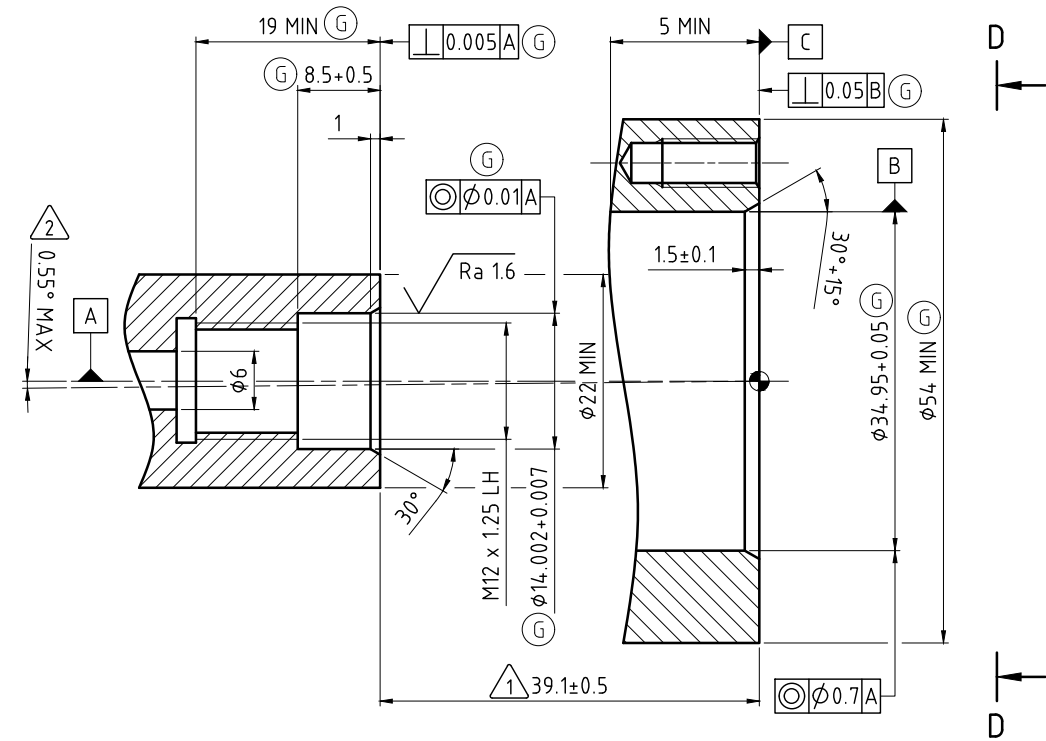
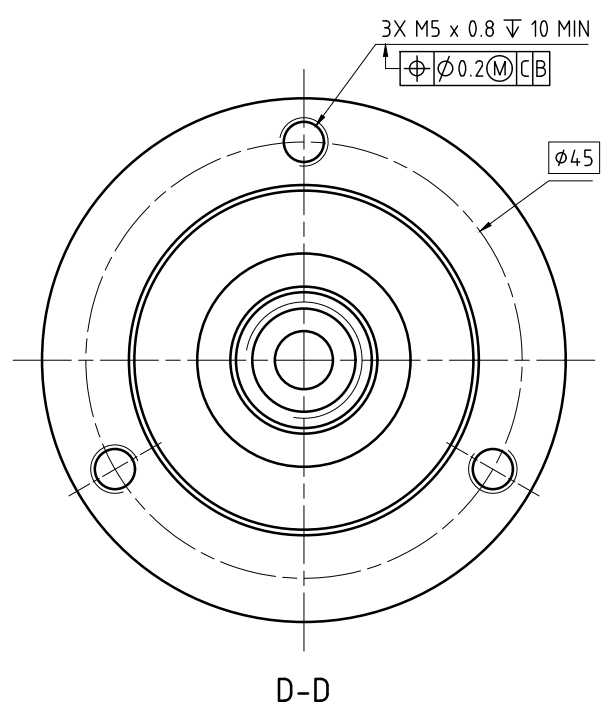


NOTES:

- ① - MOUNTING DIMENSION
- ② - ACCEPTABLE ANGULAR MIS-ALIGNMENT FROM PIVOT POINT AT ANY MOUNTING DISTANCE.



CUSTOMER INTERFACE



OPERATING DATA			
MEDIA		COOLANT	MQL
PRESSURE	MAXIMUM	140 bar	10 bar
	MINIMUM	5 bar	5 bar
FLOW RATE	MAXIMUM	25.7 L/min	1176 NL/min
	MINIMUM	5.7 L/min	- NL/min
TEMPERATURE	MAXIMUM	70 °C	70 °C
	MINIMUM	5 °C	5 °C
MAXIMUM SPEED		40000 min ⁻¹	40000 min ⁻¹
AXIAL FORCE		12.7 N/bar (889 N/7 MPa)	
DRY RUN		UNPRESSURIZED ONLY	
RECOMMENDED FILTRATION		ISO 4406 CLASS 17/15/12	

		PROJECTION:	SCALE: 2:1
		DATE	MATERIAL: INTERFACE CONTROL DRAWING
		NAME	TITLE: DEUBLIN BEARINGLESS UNION,
		DRN: 05/20/2003	Rc 3/8
		ENGR: 05/20/2003	
		APPD.	
		NO.	1121-400-327
		SHEET	A2
G	UPDATED FORMAT	016532	01/12
ISSUE	MODIFICATION	ECO	DATE
AL	SIGN		

UNLESS SPECIFICALLY TOLERANCED, ALL DIMENSIONS ARE CONSIDERED REFERENCE