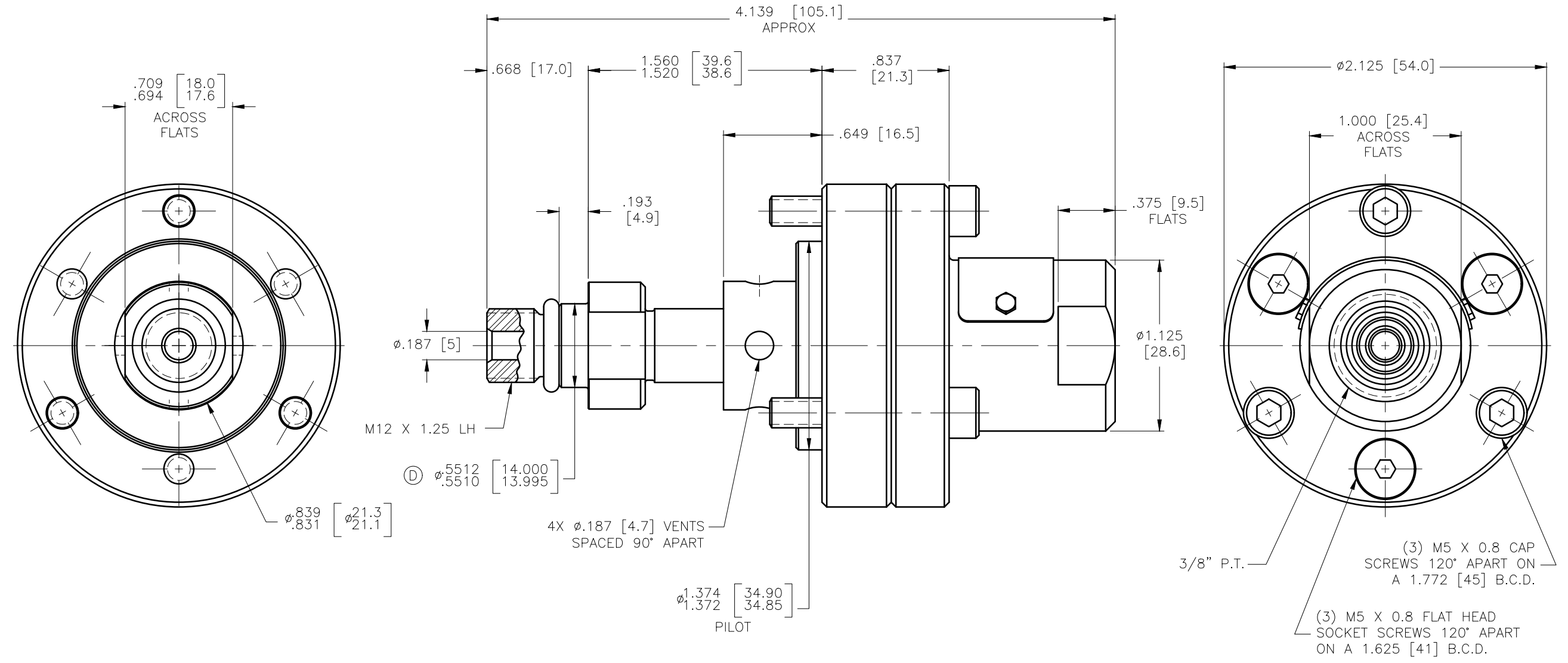


NOTES:
1 - WHEN ORDERING FROM DEUBLIN USE PART NUMBER: 1121-410-493.



Ⓓ

OPERATING DATA		
MEDIA	COOLANT	
MAX COOLANT PRESSURE	2030 PSI	140 bar
MAX SPEED	50,000 RPM	50,000/min
MAX FLOW RATE	6.8 GPM	25.7 L/min
MAX TEMPERATURE	160°F	71°C

WARNING:
FOR EVERY 101.5 PSI (7bar) OF COOLANT PRESSURE Ⓒ
APPROX. 10.9 POUNDS (4.9Kg) OF FORCE IS
EXERTED ON THE UNION SIDE OF THE SPINDLE.

REVISED OP. DATA AND DIM. WAS 05/12/5509 (#14,000/13,992)	8282	05/07	NR	SCALE	2:1	DWG SIZE	C
C 101.5 WAS 100; 10.9 LBS WAS 20 [10 KG]		08/06	LG	DRN	RM	09/15/03	
B PART NUMBER WAS 20211-410-IC	7098	01/06	LG	ENGR	ARS	09/15/03	
REVISED OPERATING DATA							
A 2000 PSI @ 28,000 RPM	6185	12/04	LG	APPR	ARS	09/15/03	
WAS 2000 PSI @ 24,000 PSI							
1200 PSI @ 50,000 PSI							
WAS 1000 PSI @ 42,000 PSI							
LET.	REVISION	ECO	DATE	SIGN			

UNLESS SPECIFICALLY TOLERANCED, ALL DIMENSIONS ARE REFERENCE
DIMENSIONS IN [] ARE IN MILLIMETERS.

CONFIDENTIAL
THIS DOCUMENT CONTAINS CONFIDENTIAL AND PROPRIETARY INFORMATION OF DEUBLIN COMPANY. COPYING, USE, TRANSMISSION, DISTRIBUTION, AND DISCLOSURE ARE SUBJECT TO THE TERMS AND CONDITIONS CONTAINED IN YOUR AGREEMENT WITH DEUBLIN COMPANY. ALL RIGHTS RESERVED.

DEUBLIN COMPANY
WAUKEGAN, ILLINOIS, U.S.A.

TITLE: INTERFACE CONTROL
DRAWING FOR DEUBLIN UNION 1121-410-493

DWG. NO. 1121-410-493-IC
C.A.D. DRAWING