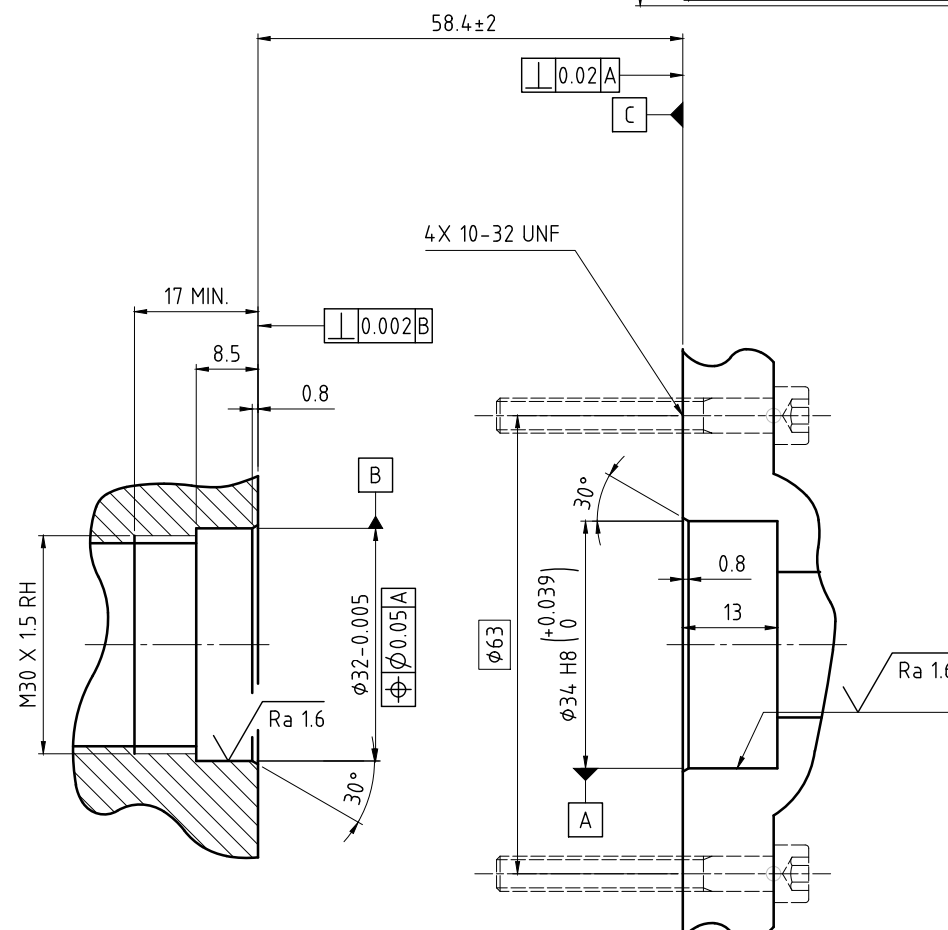
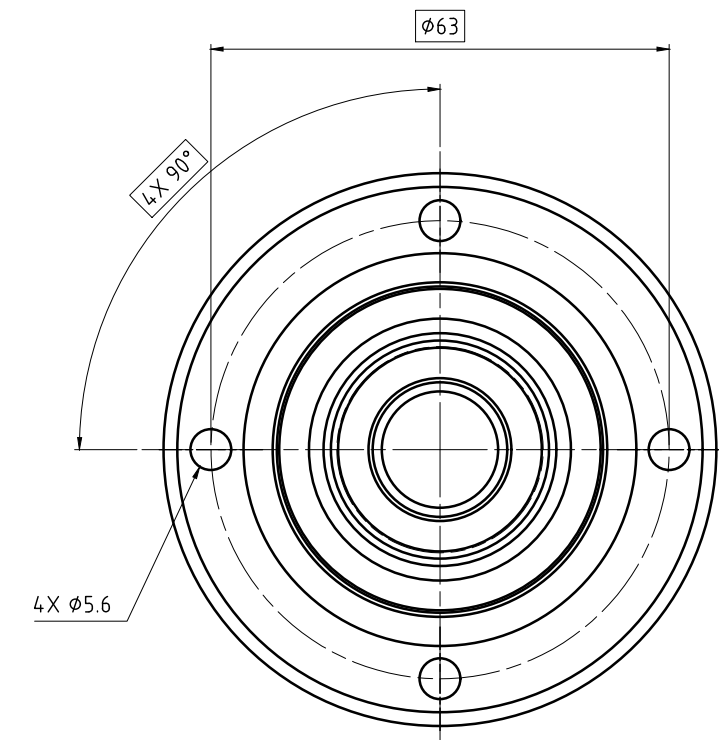
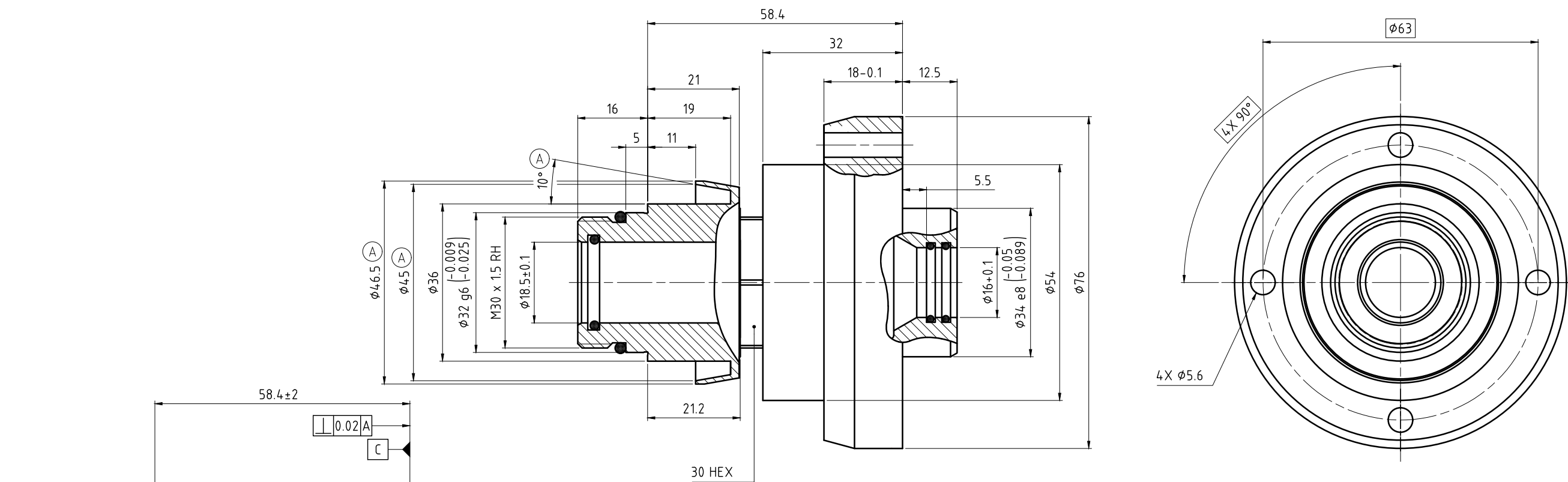


NOTES:

- ① - OPERATING DATA OF UNION WITH PUSHROD INSTALLED PER SHEET 2.
- ② - OPERATING DATA OF UNION WITHOUT PUSHROD INSTALLED.

CONFIDENTIAL
THIS DOCUMENT CONTAINS CONFIDENTIAL AND PROPRIETARY INFORMATION OF DEUBLIN COMPANY. COPYING, USE, TRANSMISSION, DISTRIBUTION, AND DISCLOSURE ARE SUBJECT TO THE TERMS AND CONDITIONS CONTAINED IN YOUR AGREEMENT WITH DEUBLIN COMPANY. ALL RIGHTS RESERVED.

Ø34	e8	-0.05 -0.089	33.95 33.911
Ø34	H8	+0.039 0	34.039 34
Ø32	g6	-0.009 -0.025	31.991 31.975
Dimen.	Fit		



OPERATING DATA					
MEDIA		① COOLANT	② COOLANT	① AIR	② AIR
PRESSURE	MAXIMUM	140 bar	140 bar	10 bar	10 bar
	MINIMUM	-	-	-	-
FLOW RATE	MAXIMUM	39 L/min	276 L/min	600 L/min	4260 L/min
	MINIMUM	-	-	-	-
TEMPERATURE	MAXIMUM	70 °C	70 °C	70 °C	70 °C
	MINIMUM	5 °C	5 °C	5 °C	5 °C
MAXIMUM SPEED		10000/min		0	
DRY RUN		UNPRESSURIZED ONLY			

SHEET 1 OF 2

DEUBLIN
Engineered for Performance

PROJECTION:

SCALE: 1.5:1
MATERIAL:

DATE	NAME	TITLE: INTERFACE CONTROL DRAWING DEUBLIN BEARINGLESS UNION
DRN. 05/06/2010	LG	
ENGR. 05/06/2010	AL	
APPD.		

NO. **1129-470-120** SHEET **A2**

UNLESS SPECIFICALLY TOLERANCED, ALL DIMENSIONS ARE CONSIDERED REFERENCE

A	UPDATED SLINGER	012374	12/10	AL
NONE	REPLACED 1121-470-120	09487	05/10	LG
ISSUE	MODIFICATION	ECO	DATE	SIGN

