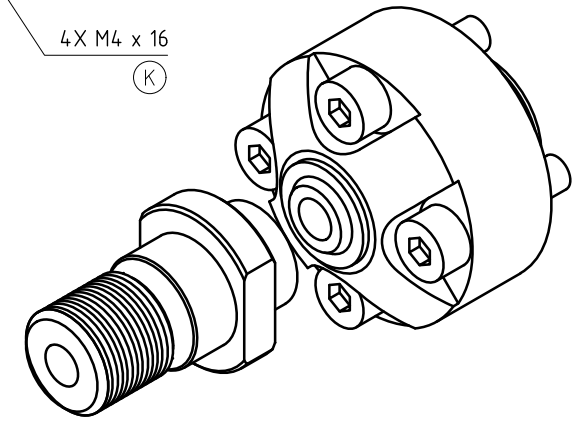
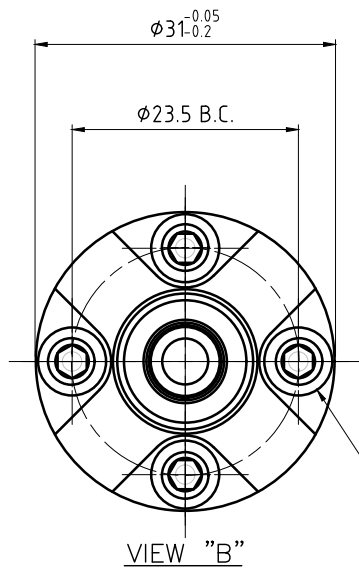
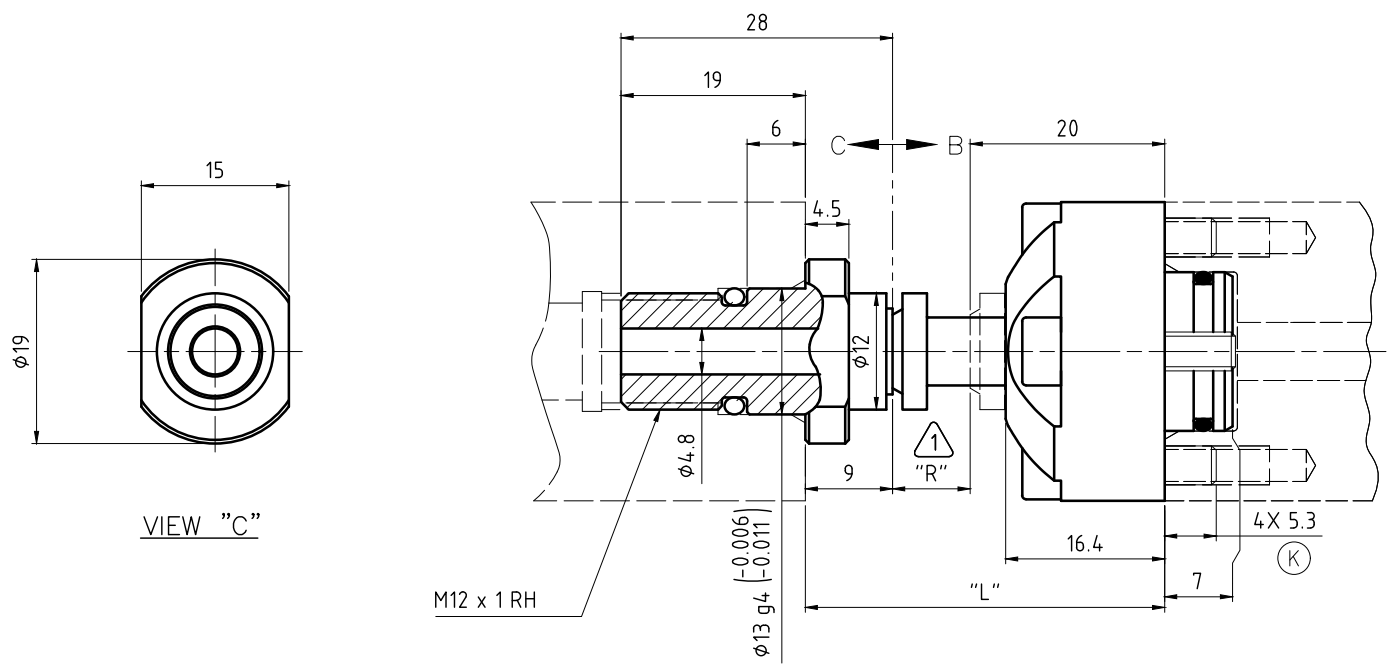


CONFIDENTIAL  
THIS DOCUMENT CONTAINS CONFIDENTIAL AND PROPRIETARY INFORMATION OF DEUBLIN COMPANY. COPYING, USE, TRANSMISSION, DISTRIBUTION, AND DISCLOSURE ARE SUBJECT TO THE TERMS AND CONDITIONS CONTAINED IN YOUR AGREEMENT WITH DEUBLIN COMPANY. ALL RIGHTS RESERVED.

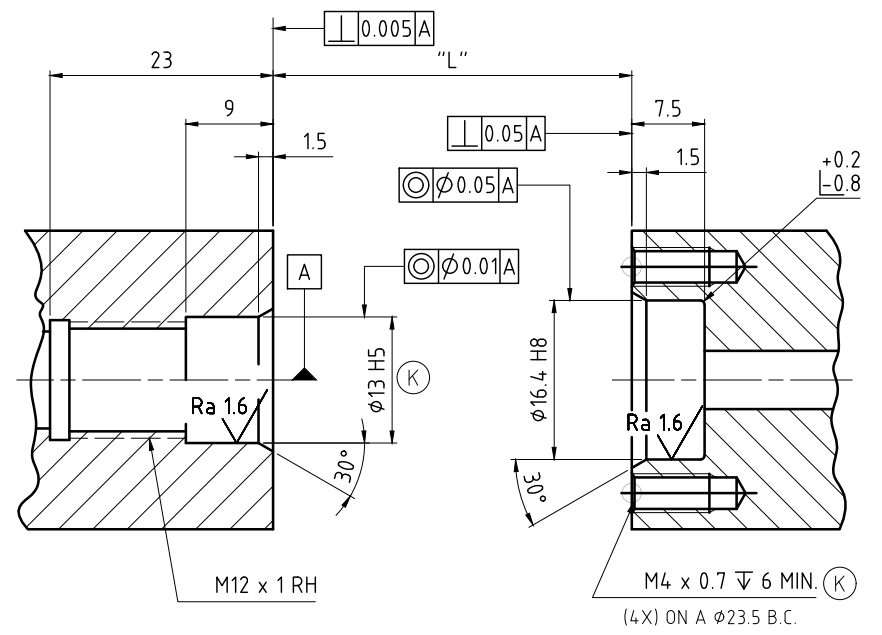
Ø16.4	H8	+0.027 0	16.427 16.4
Ø13	g4	-0.006 -0.011	12.994 12.989
Ø13	H5	+0.008 0	13.008 13
Dimen.	Fit		

NOTES:

- 1 - FLOATING SEAL ASSEMBLY ACTUATION DISTANCE.
- 2 - MQL AND AIR FUNCTION IN A CONTROLLED LEAKAGE CONDITION.



"L" MOUNTING DIM. ±0.25mm	"R" WORKING RANGE (REF.)
37mm	8mm
34mm	5mm
32mm	3mm
30mm	1mm



OPERATING DATA			
MEDIA		COOLANT	MQL OR AIR
PRESSURE	MAXIMUM	140 bar	10 bar
	MINIMUM	3 bar	3 bar
FLOW RATE	MAXIMUM	24.3 L/min	19.6 L/sec
	MINIMUM	3 L/min	6 L/sec
TEMPERATURE	MAXIMUM	71 °C	71 °C
	MINIMUM	5 °C	5 °C
MAXIMUM SPEED		50000 min <sup>-1</sup>	50000 min <sup>-1</sup>
AXIAL FORCE		3.8 N/bar	
DRY RUN		YES	

**DEUBLIN**  
Engineered for Performance

PROJECTION:

SCALE: 2:1

MATERIAL: INTERFACE CONTROL DRAWING

DATE: 01/13/2006 NAME: LG

DRN: ENGR. APPD.

TITLE: DEUBLIN BEARINGLESS UNION, AUTOSENSE

NO. 1154-002-109

SHEET

ISSUE	MODIFICATION	ECO	DATE	SIGN
K	BOLT LENGTH PILOT	012409	01/11	KS
J	INCREASED MAX SPEED	002917	08/08	AL
H	REVISED CHART, PILOT	8665	10/07	JK

UNLESS SPECIFICALLY TOLERANCED, ALL DIMENSIONS ARE CONSIDERED REFERENCE