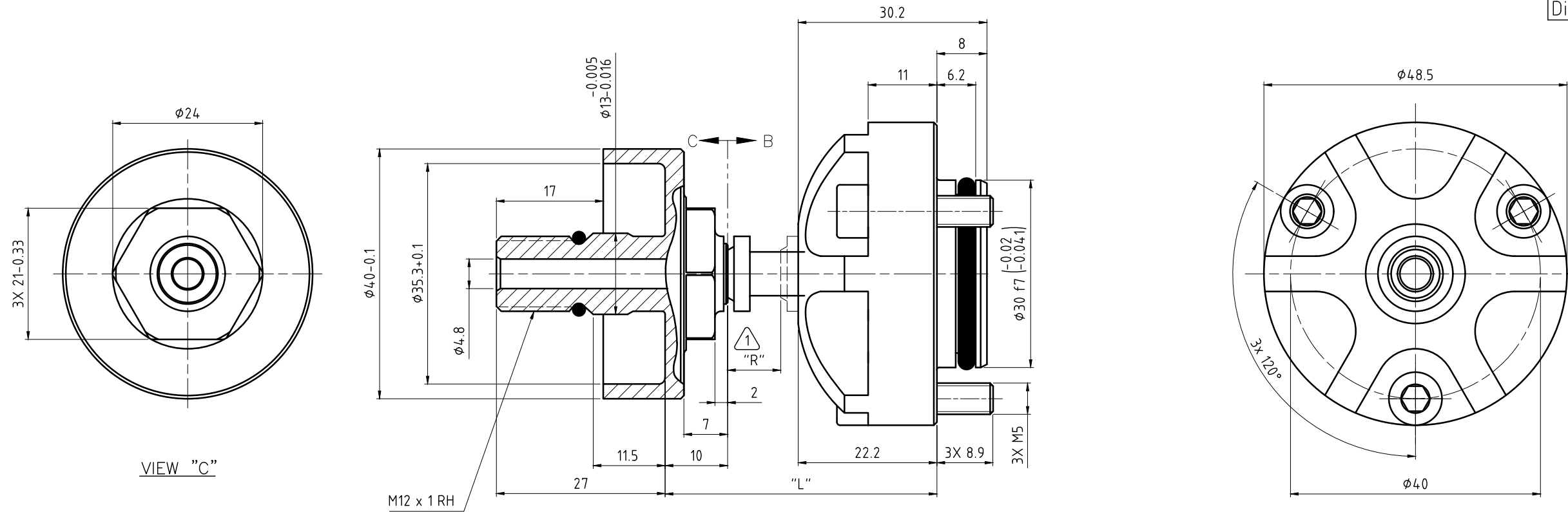


CONFIDENTIAL
THIS DOCUMENT CONTAINS CONFIDENTIAL AND PROPRIETARY INFORMATION OF DEUBLIN COMPANY. COPYING, USE, TRANSMISSION, DISTRIBUTION, AND DISCLOSURE ARE SUBJECT TO THE TERMS AND CONDITIONS CONTAINED IN YOUR AGREEMENT WITH DEUBLIN COMPANY. ALL RIGHTS RESERVED.

| | | | |
|--------|-----|-----------------|-----------------|
| Ø30 | f7 | -0.02 -0.041 | 29.98 29.959 |
| Ø30 | H8 | +0.033 0 | 30.033 30 |
| Ø13 | H5 | +0.008 0 | 13.008 13 |
| Dimen. | Fit | | |

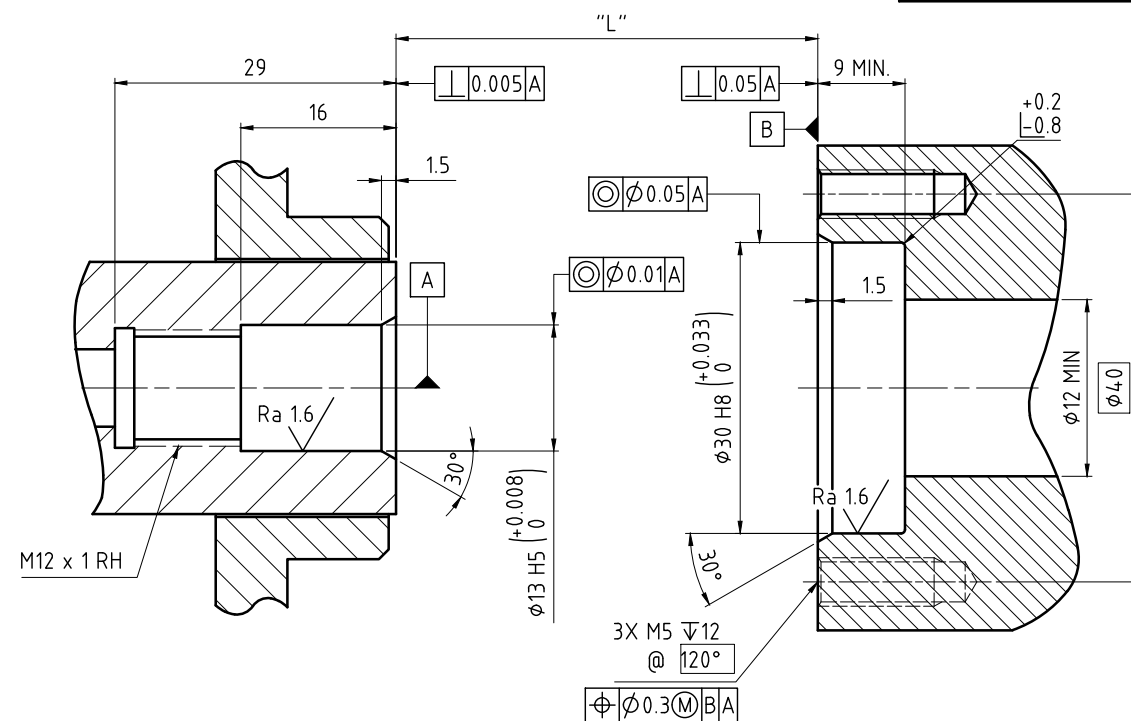
NOTES:

- ① - FLOATING SEAL ASSEMBLY ACTUATION DISTANCE.
- ② - MQL AND AIR FUNCTION IN A CONTROLLED LEAKAGE CONDITION.



| "L" ±0.25mm | ("R") ① |
|-------------|---------|
| Ⓐ 43.5 mm | 8 mm |
| Ⓐ 40.5 mm | 5 mm |
| Ⓐ 38.5 mm | 3 mm |
| Ⓐ 36.5 mm | 1 mm |

| OPERATING DATA ② | | | |
|------------------|---------|-------------------------|-------------------------|
| MEDIA | | COOLANT | MQL OR AIR |
| PRESSURE | MAXIMUM | 140 bar | 10 bar |
| | MINIMUM | 3 bar | 3 bar |
| FLOW RATE | MAXIMUM | 24.3 L/min | 19.6 L/sec |
| | MINIMUM | 3 L/min | 6 L/sec |
| TEMPERATURE | MAXIMUM | 70 °C | 70 °C |
| | MINIMUM | 5 °C | 5 °C |
| MAXIMUM SPEED | | 50000 min ⁻¹ | 50000 min ⁻¹ |
| AXIAL FORCE | | 3.8 N/bar | |
| DRY RUN | | YES | |



DEUBLIN
Engineered for Performance

PROJECTION:

SCALE: 2:1

MATERIAL:

| | | |
|------------------|----------|--|
| DATE | NAME | TITLE: |
| DRN. 02/16/2010 | lgalindo | INTERFACE CONTROL DRAWING DEUBLIN BEARINGLESS UNION |
| ENGR. 03/11/2010 | AL | |
| APPD. | | |

NO. 1154-004-153

SHEET A2

UNLESS SPECIFICALLY TOLERANCED, ALL DIMENSIONS ARE CONSIDERED REFERENCE

| | | | | |
|-------|----------------|--------|-------|------|
| A | rev'd mounting | 035446 | 02/16 | lg |
| ISSUE | MODIFICATION | ECO | DATE | SIGN |