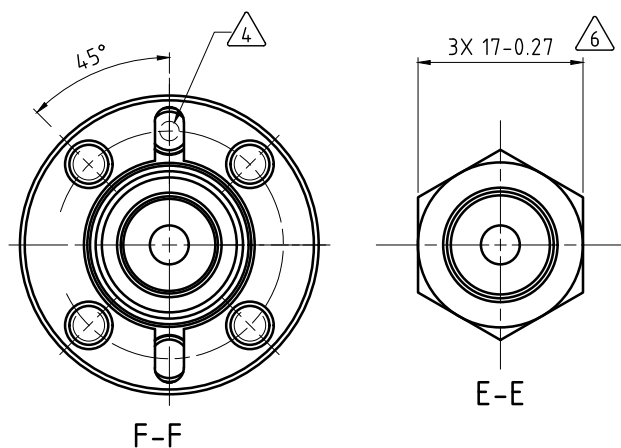
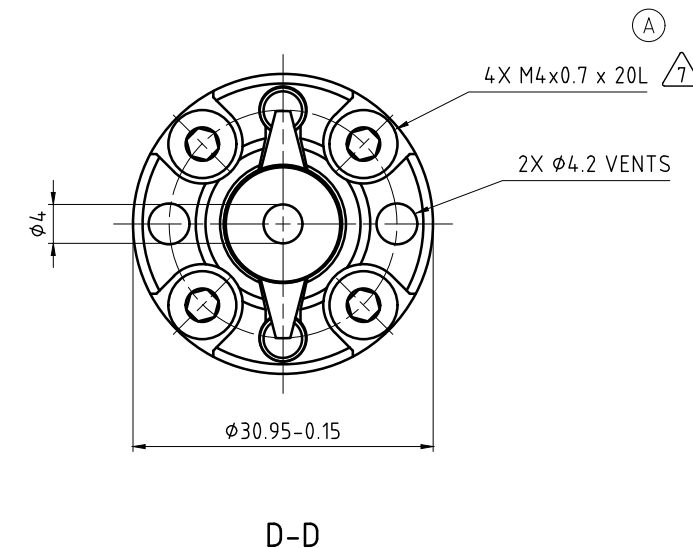
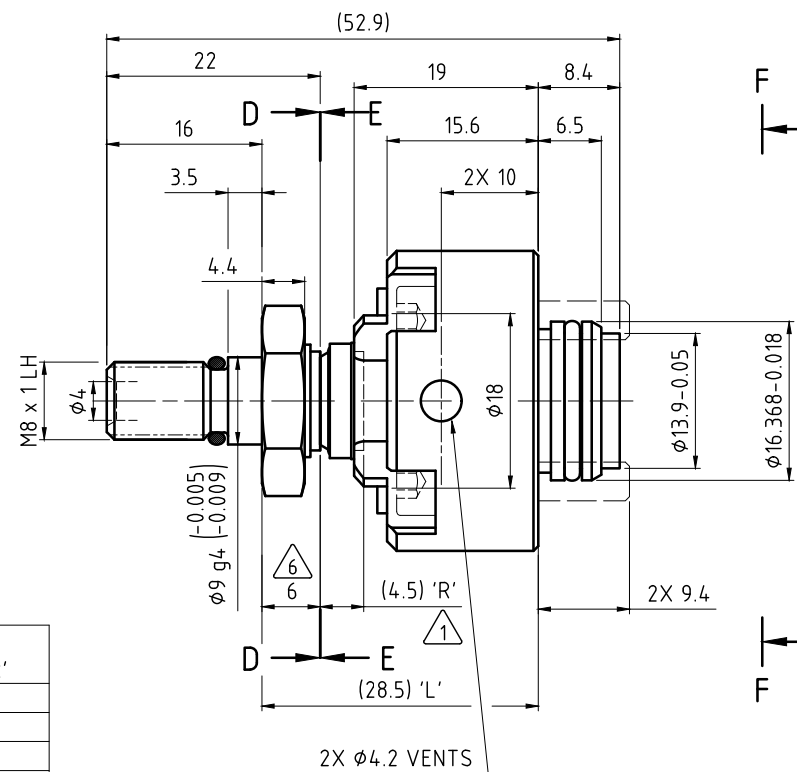


NOTES:

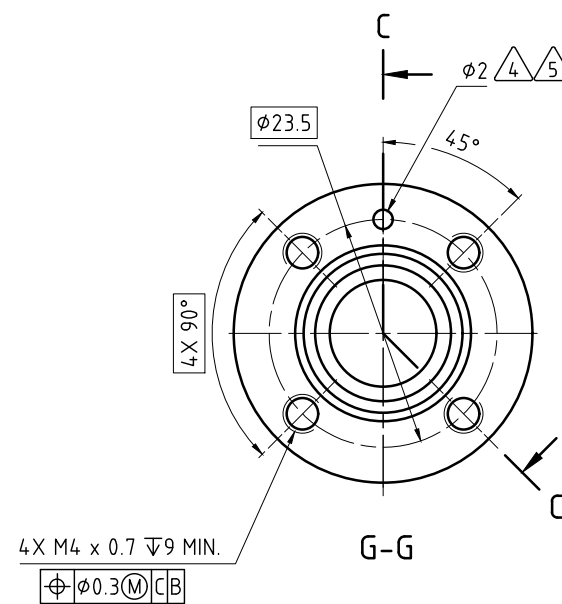
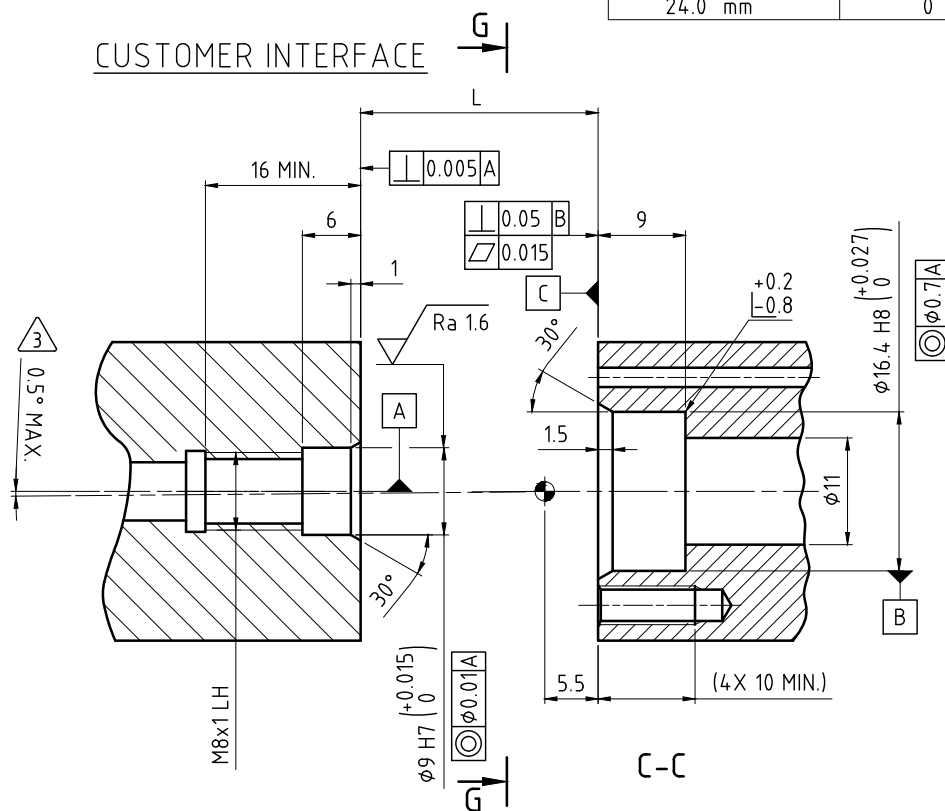
- 1 - FLOATING SEAL ASSEMBLY ACTUATION DISTANCE.
- 2 - AIR FUNCTIONS IN A CONTROLLED LEAKAGE CONDITION.
- 3 - ACCEPTABLE ANGULAR MIS-ALIGNMENT FROM PIVOT POINT AT ANY MOUNTING DISTANCE.
- 4 - AIR ACTUATION PORT TO CLOSE SEAL FACE. UNION ACTUATION PORT MUST BE ALIGNED CORRECTLY WITH MACHINE ACTUATION PORT.
- 5 - AIR ACTUATION PORT PRESSURIZATION DURING ROTATION WITH DRY AIR THROUGH THE MEDIA CHANNEL CAUSES PREMATURE WEAR OF THE SEAL.
- 6 - ROTOR TO BE INSTALLED USING A SOCKET WRENCH OR BOX END WRENCH ONLY. WHEN USING SOCKET WRENCH CARE MUST BE TAKEN TO NOT CONTACT SEAL FACE. INSTALLATION TORQUE: 5 +/- 1 Nm.
- 7 - TIGHTENING TORQUE FOR HOUSING MOUNTING SCREWS: 3.5 +/- 0.5 Nm.
- 8 - OPERATION AT MAXIMUM PRESSURE COMBINED WITH MAXIMUM SPEED SHOULD BE AVOIDED.



MOUNTING DIMENSION 'L' ±0.1	ACTUATION DISTANCE 'R'
28.5 mm	4.5 mm
27.5 mm	3.5 mm
25.5 mm	1.5 mm
24.0 mm	0 mm



CUSTOMER INTERFACE



8 OPERATING DATA				
MEDIA		COOLANT	Δ AIR OR MQL	VACUUM
AIR ACTUATION PORT PRESSURE	MAXIMUM	0 bar	0 bar	6 bar
	MINIMUM	-	-	3 bar
MEDIA PRESSURE	MAXIMUM	210 bar	10 bar	-
	MINIMUM	3 bar	3 bar	-
FLOW RATE	MAXIMUM	33 L/min	1580 NL/min	-
	MINIMUM	3 L/min	480 NL/min	-
TEMPERATURE	MAXIMUM	70 °C	70 °C	70 °C
	MINIMUM	5 °C	5 °C	5 °C
MAXIMUM SPEED		40000 min ⁻¹	40000 min ⁻¹	0 min ⁻¹
AXIAL FORCE		5.1 N/bar (357 N/7 MPa)		
DRY RUN		UNLIMITED	UNLIMITED	NOT POSSIBLE
RECOMMENDED FILTRATION		ISO 4406 CLASS 17/15/12		

PROJECTION:
 SCALE: 2:1
 MATERIAL: INTERFACE CONTROL DRAWING
 TITLE: DEUBLIN BEARINGLESS UNION, 4.5mm TRAVEL, M8x1.0 LH ROTOR
 NO. 1159-024-105
 SHEET A2

REV	DESCRIPTION	DATE	BY	CHKD
A	add tightening torques	03/16/16	LG	DRN.
NONE	CUST APPROVED	03/4/16	LG	ENGR.
02	shorten rtr by 1mm	03/4/16	LG	APPD.
01	added 'R' dim/rev id	03/4/16	LG	
00	first draft to customer	03/4/16	LG	

UNLESS SPECIFICALLY TOLERANCED, ALL DIMENSIONS ARE CONSIDERED REFERENCE