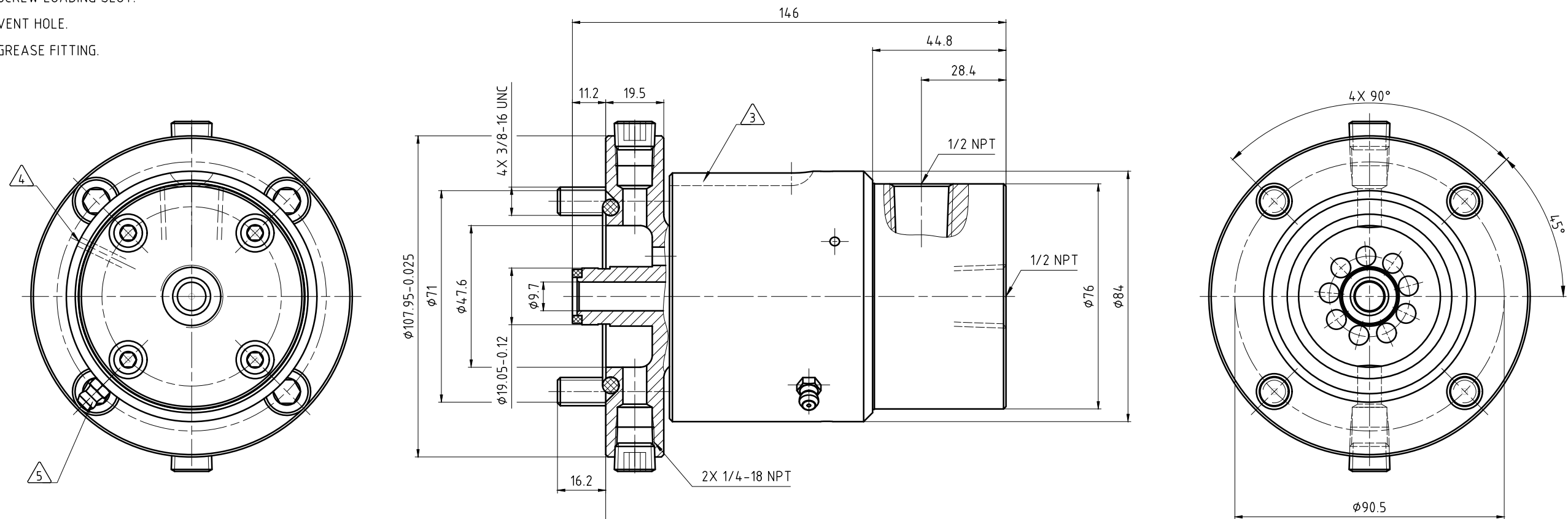
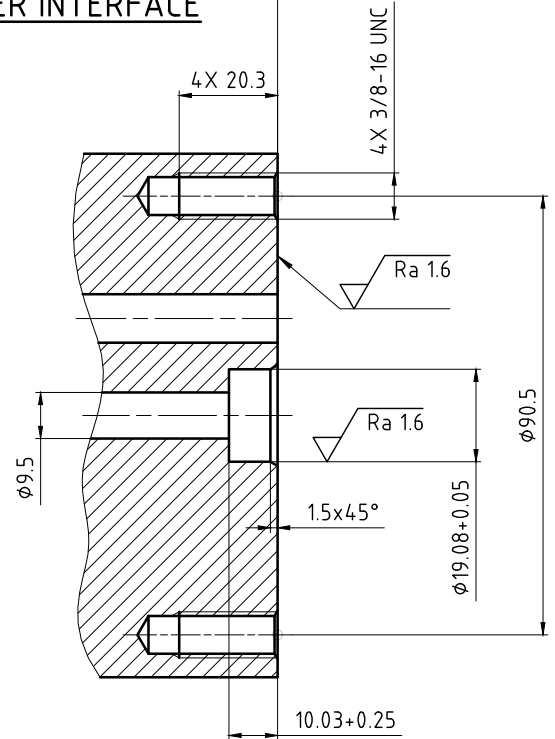


NOTES:

- 1 - CONTACT DEUBLIN OR VISIT WWW.DEUBLIN.COM
 FOR INSTRUCTION MANUAL: 040-565
- 2 - UNION SHOULD BE RETURNED TO FACTORY FOR SERVICING. SPECIAL TOOLS
 AND FIXTURES ARE REQUIRED MAKING SERVICING IN THE FIELD IMPRACTICAL.
- 3 - SCREW LOADING SLOT.
- 4 - VENT HOLE.
- 5 - GREASE FITTING.



CUSTOMER INTERFACE



| OPERATING DATA | | |
|------------------|------------------------|---------|
| MEDIA | AIR | VACUUM |
| PRESSURE MAX. | 10 bar | 6.7 kPa |
| SPEED MAX. | 1500 min ⁻¹ | |
| TEMPERATURE MAX. | 121 °C | |

| | | | |
|--|---|---|-------------------------------------|
| | | PROJECTION: | SCALE: 1:1 |
| | | DATE: 23.01.2014 ENGR: 24.01.2014 APPD. | NAME: CD CW |
| TITLE: DEUBLIN ROTATING UNION DEUBLIN Drehdurchführung | | | MATERIAL: INTERFACE CONTROL DRAWING |
| NO. 1500-194 | | | SHEET A2 |
| C CHANGED ORIENTATION 026858 01/14 CD B REVISION 000059 12/07 NR ISSUE MODIFICATION ECO DATE SIGN | UNLESS SPECIFICALLY TOLERANCED, ALL DIMENSIONS ARE CONSIDERED REFERENCE | | |