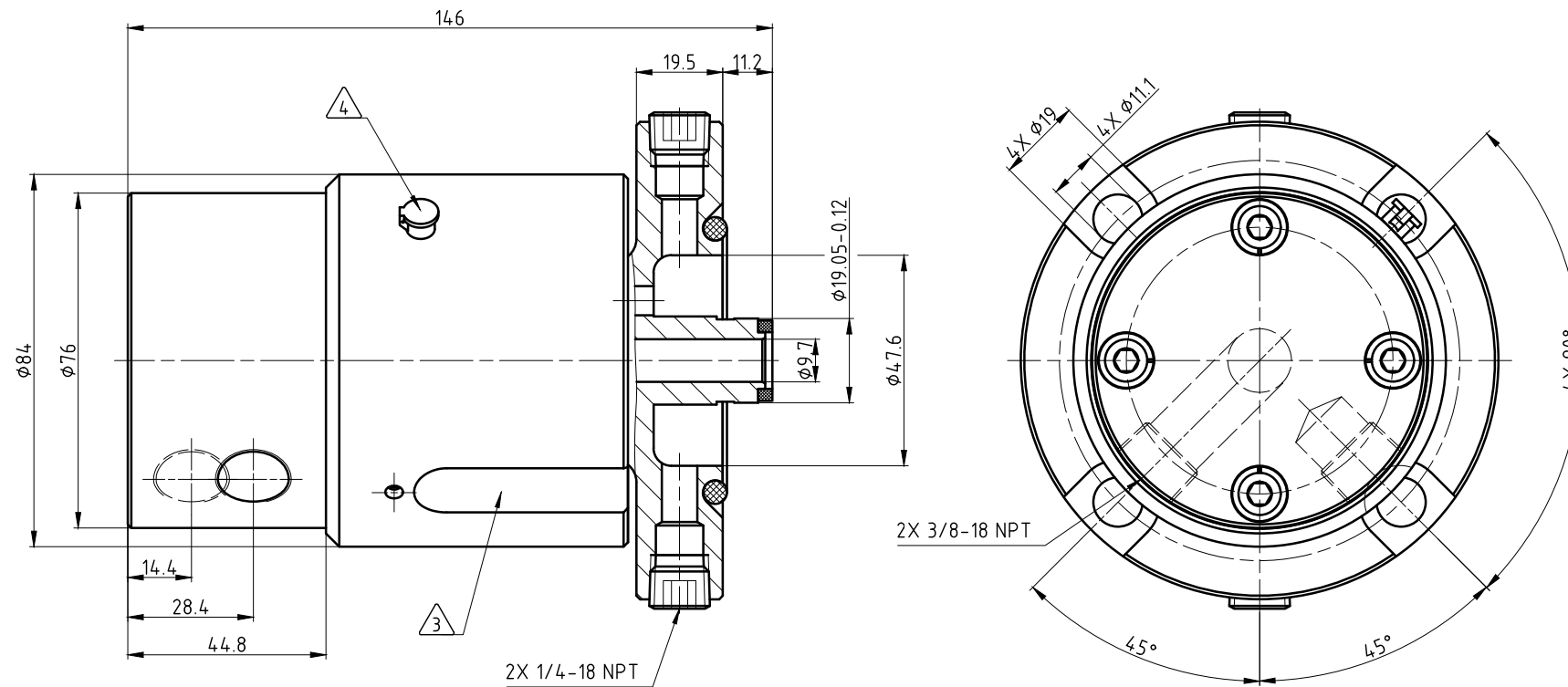
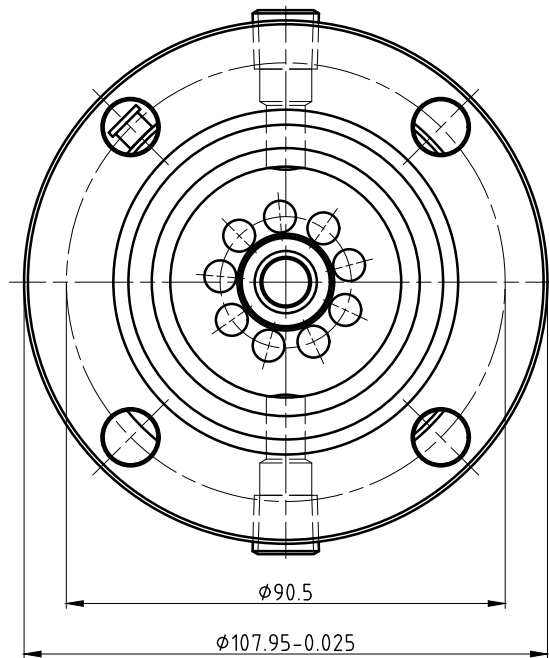
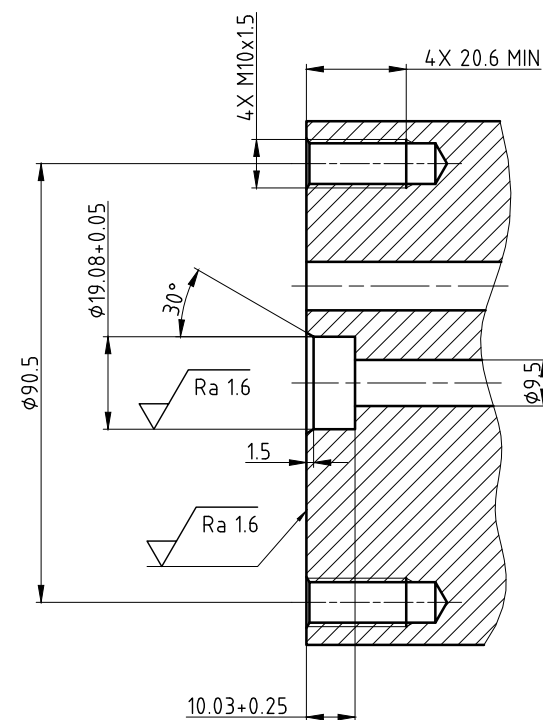


NOTES:

- 1 - CONTACT DEUBLIN OR VISIT WWW.DEUBLIN.COM
 FOR INSTRUCTION MANUAL: 040-565
- 2 - UNION SHOULD BE RETURNED TO FACTORY FOR SERVICING. SPECIAL TOOLS
 AND FIXTURES ARE REQUIRED MAKING SERVICING IN THE FIELD IMPRACTICAL.
- 3 - SCREW LOADING SLOT.
- 4 - OILER.



CUSTOMER INTERFACE



OPERATING DATA		
MEDIA	AIR	VACUUM
PRESSURE MAX.	10 bar	6.7 kPa
SPEED MAX.	1500 min ⁻¹	
TEMPERATURE MAX.	120 °C	
DRY RUN (WITHOUT ANY MEDIA)	YES	



PROJECTION:  SCALE: 1:1
 MATERIAL: INTERFACE CONTROL DRAWING

DATE	NAME	TITLE
DRN. 06.01.2017	CD	DEUBLIN ROTATING UNION DEUBLIN Drehdurchführung
ENGR. 09.01.2017	CW	
APPD.		

NO. 1500-250

ISSUE	MODIFICATION	ECO	DATE	CD	SIGN
A	UPDATE TO MS	040546	01/17	CD	

UNLESS SPECIFICALLY TOLERANCED, ALL DIMENSIONS ARE CONSIDERED REFERENCE