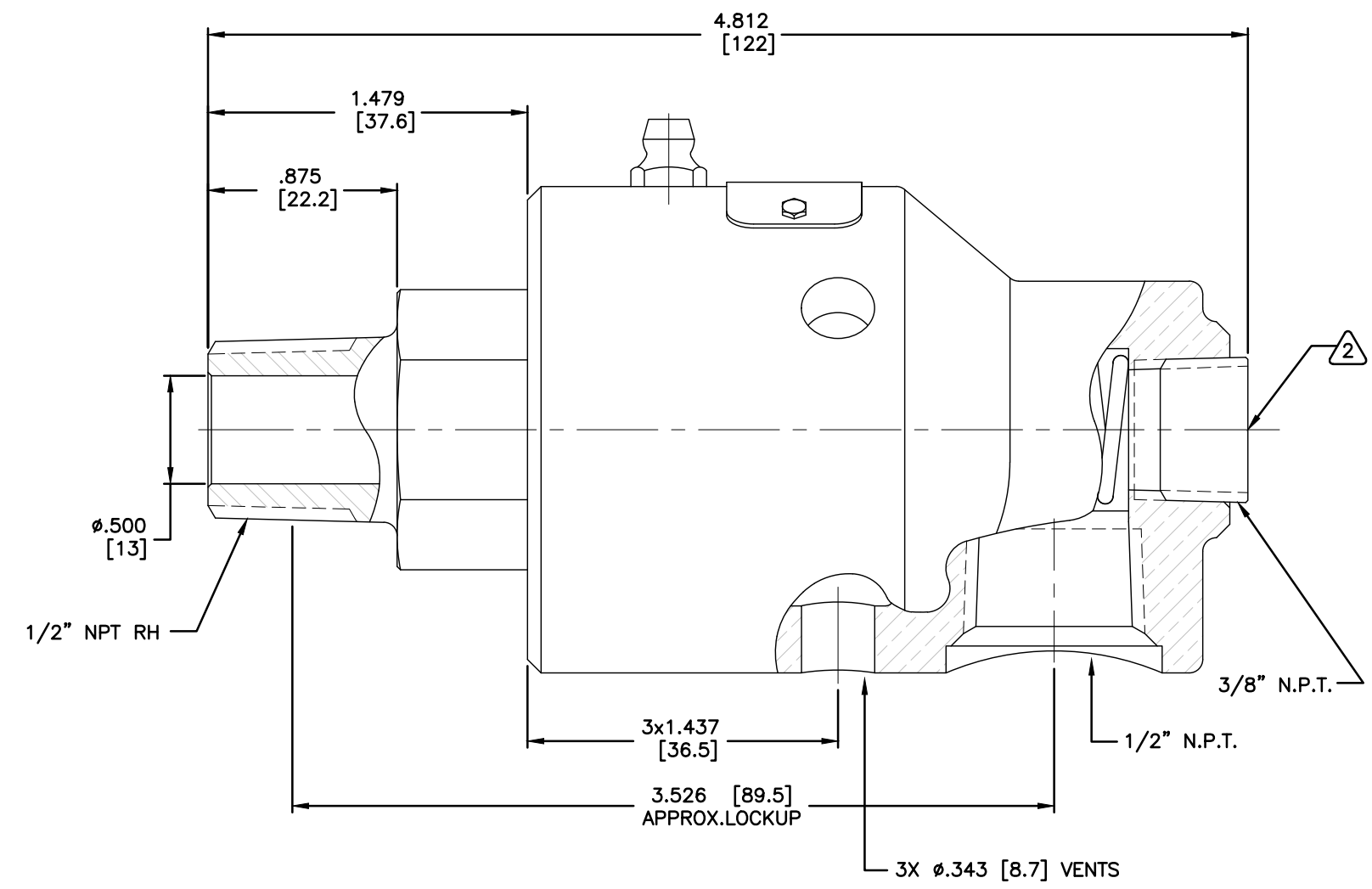
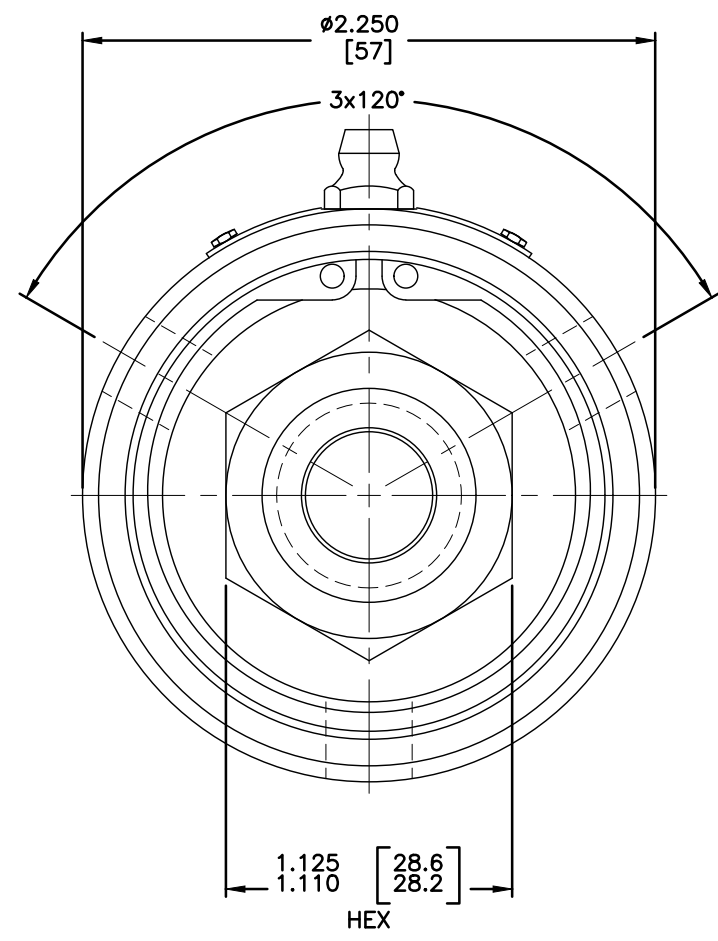


NOTES:

- 1 - WHEN ORDERING FROM DEUBLIN USE PART NUMBER 155-812-813.
- 2 - PLUG INSTALLED HAND TIGHT FROM FACTORY. IF PORT IS NOT UTILIZED, TIGHTEN BEFORE USE.



CONFIDENTIAL
 THIS DOCUMENT CONTAINS CONFIDENTIAL AND PROPRIETARY INFORMATION OF DEUBLIN COMPANY. THIS INFORMATION IS TO BE TRANSMITTED, STORED, AND IS NOT TO BE REPRODUCED, COPIED, OR DISCLOSED TO ANY OTHER PERSON OR ENTITY WITHOUT THE WRITTEN PERMISSION OF DEUBLIN COMPANY. ALL RIGHTS RESERVED.

| | | | |
|----------|-------------|----------|-----------|
| SCALE | 2:1 | DWG SIZE | C |
| DRN | RM | 08/18/04 | |
| ENGR | SS | 08/18/04 | |
| APPD | ARS | 08/18/04 | |
| PART NO. | 155-812-813 | | |
| CUSTOMER | | | |
| LET. | REVISION | ECO | DATE SIGN |

UNLESS SPECIFICALLY TOLERANCED, ALL DIMENSIONS ARE REFERENCE
 DIMENSIONS IN [] ARE IN MILLIMETERS.

DEUBLIN COMPANY
 WAUKEGAN, ILLINOIS, U.S.A.
 TITLE: INTERFACE CONTROL
 DRAWING FOR DEUBLIN
 UNION 155-812-813-IC
 DWG. NO. 155-812-813-IC
 C.A.D. DRAWING