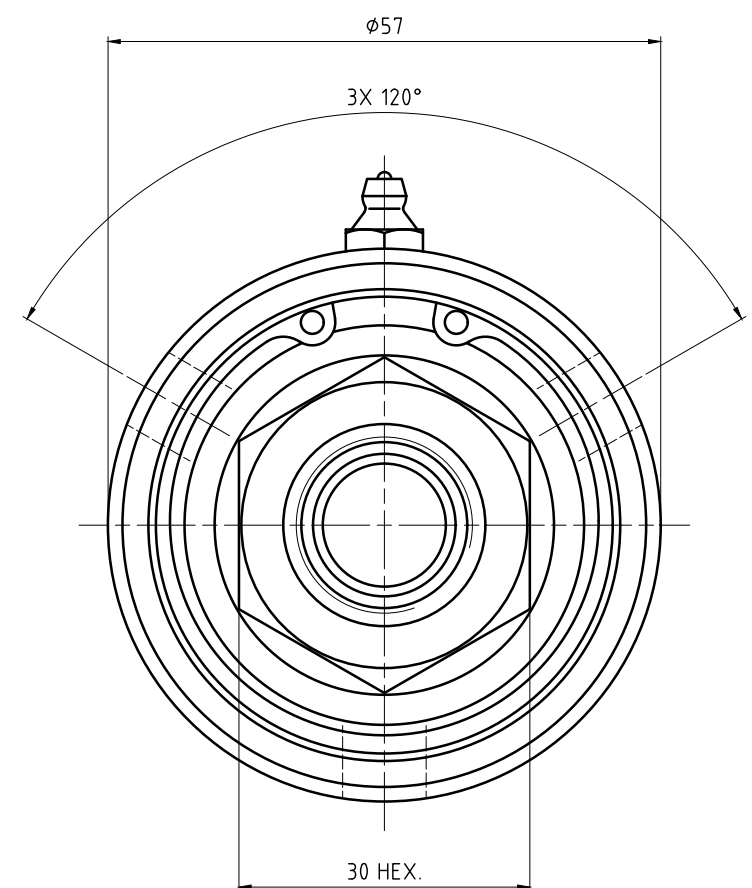
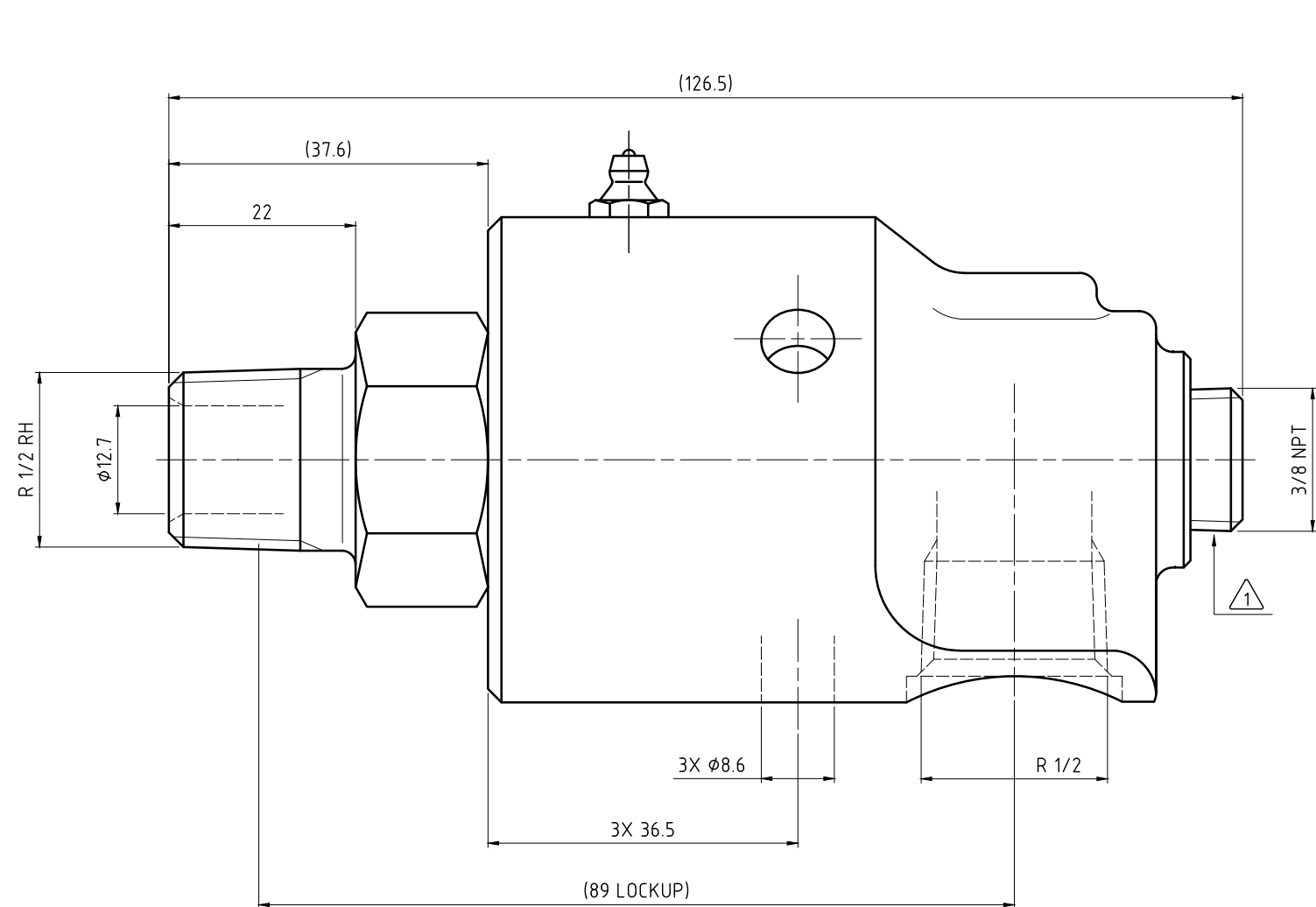


CONFIDENTIAL  
 THIS DOCUMENT CONTAINS CONFIDENTIAL AND PROPRIETARY  
 INFORMATION OF DEUBLIN COMPANY. COPYING, USE,  
 TRANSMISSION, DISTRIBUTION, AND DISCLOSURE ARE SUBJECT  
 TO THE TERMS AND CONDITIONS CONTAINED IN YOUR  
 AGREEMENT WITH DEUBLIN COMPANY. ALL RIGHTS RESERVED.

NOTES:

① - PLUG INSTALLED HAND TIGHT FROM FACTORY. IF PORT IS NOT UTILIZED,  
 TIGHTEN BEFORE USE.



OPERATING DATA		
MEDIA	WATER	
MAX WATER PRESSURE	750 PSI	50 bar
MAX WATER TEMP.	250°F	121°C
MAX SPEED	1500 RPM	

		PROJECTION:	SCALE: 2:1
DATE: 10/28/15 NAME: GA		MATERIAL:	
ENGR. 10/28/15 NAME: GA		TITLE: <b>INTERFACE CONTROL DRAWING</b> <b>DEUBLIN UNION 155-900-119</b>	
APPD.		NO. <b>155-900-119-IC</b>	
UNLESS SPECIFICALLY TOLERANCED, ALL DIMENSIONS ARE CONSIDERED REFERENCE		SHEET A2	
ISSUE	MODIFICATION	ECO	DATE