

CONFIDENTIAL

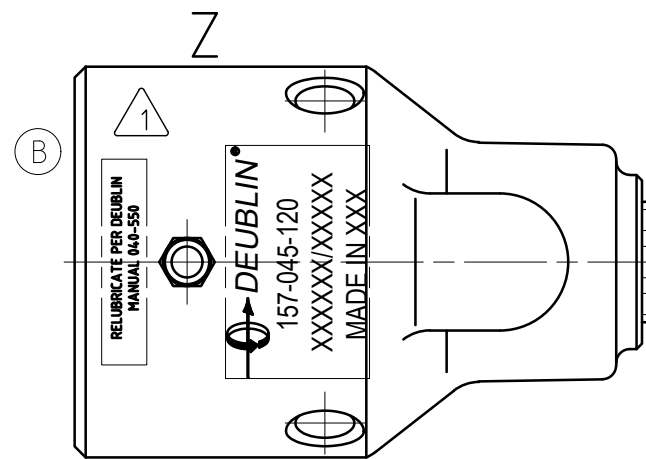
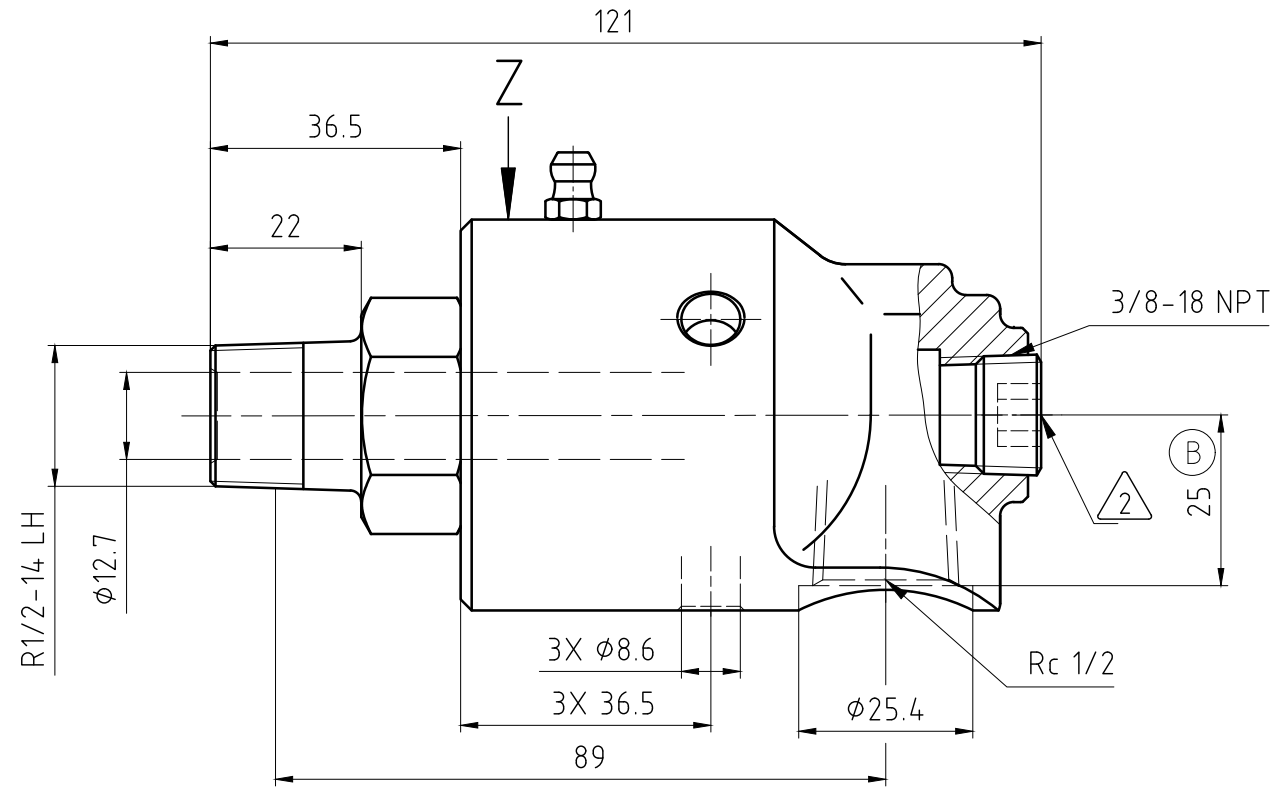
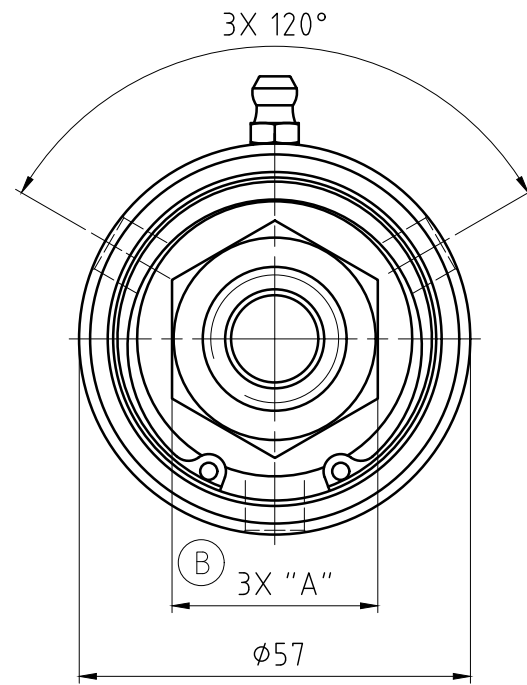
The reproduction, distribution and utilization of this document as well as the communication of its contents to others without express authorization is prohibited. Offenders will be held liable for the payment of damages. All rights reserved in the event of the grant of a patent, utility model or design.

NOTES:

① - CONTACT DEUBLIN OR VISIT WWW.DEUBLIN.COM FOR INSTRUCTION MANUAL: 040-550

② - PLUG INSTALLED HAND TIGHT FROM FACTORY. IF PORT IS NOT UTILIZED, TIGHTEN BEFORE USE.

③ - DEPENDING ON COUNTRY OF ORIGIN, HEX STOCK MAY VARY AS NOTED. SEE TABLE FOR ACCEPTABLE WRENCH SIZES.



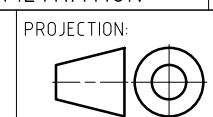
OPERATING DATA

MEDIA	WATER	SATURATED STEAM (INTERMITTENT)	THERMAL OIL
PRESSURE MAX.	50 bar	1 bar	6.6 bar
SPEED MAX.	1500 min ⁻¹		
TEMPERATURE MAX.	120 °C		
DRY RUN (WITHOUT ANY MEDIA)	NO		

RECOMMENDED FILTRATION 60 micron

③

HEX SIZES		WRENCHES	
UNITS	"A"	30mm	1 1/8"
METRIC [mm]	30-0.13	✓	☒
IMPERIAL [in]	1.125-0.006	✓	✓



PROJECTION: SCALE: 1:1
 MATERIAL: INTERFACE CONTROL DRAWING

ISSUE/MODIFICATION	ECO	DATE	SIGN
B	SEE ECO	056931 08/20	RMika
A	CHG DATA, MARK, PLUG	054616 02/20	MSK

DRN. 21.02.2020 MZe
 ENGR. 21.02.2020 MSK
 APPD.
 TITLE: DEUBLIN ROTATING UNION
 DEUBLIN Drehdurchführung
 NO. 157-045-120
 SHEET A3

UNLESS SPECIFICALLY TOLERANCED, ALL DIMENSIONS ARE CONSIDERED REFERENCE