

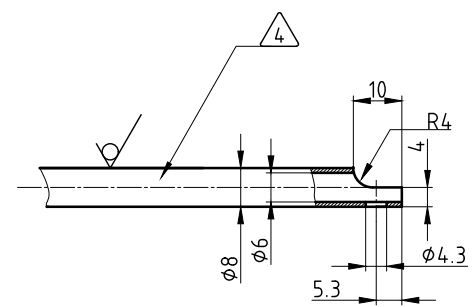
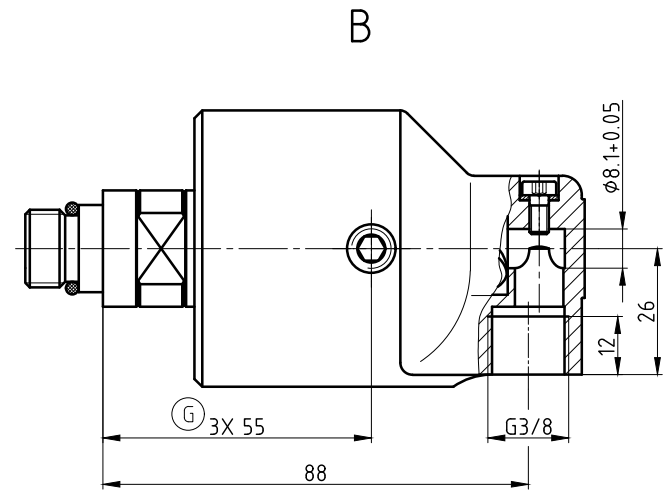
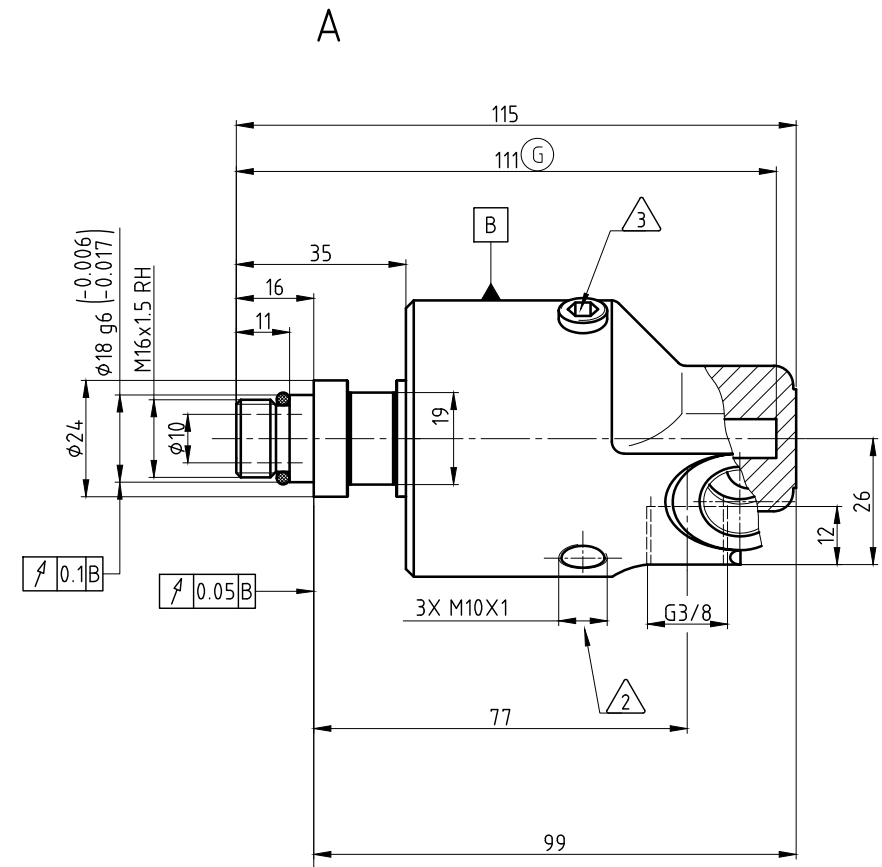
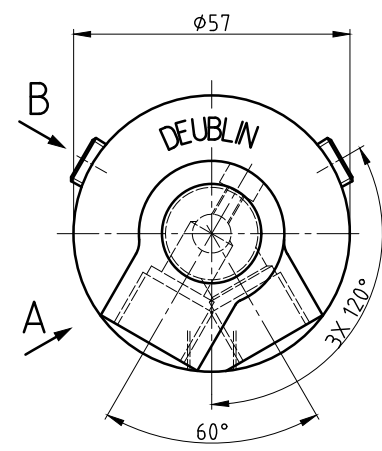
NOTES: (G)

1 - CONTACT DEUBLIN OR VISIT WWW.DEUBLIN.COM  
 FOR INSTRUCTION MANUAL: 040-550

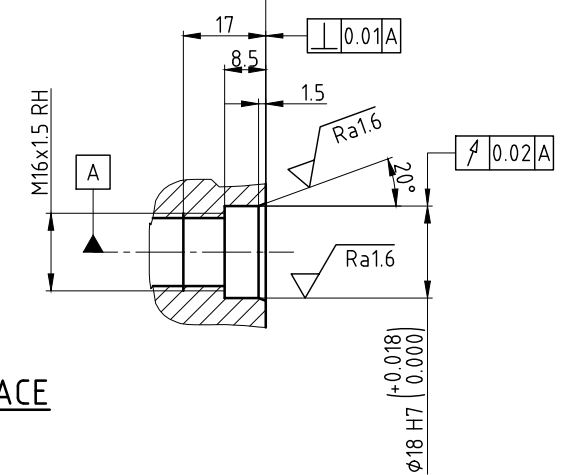
2 - OPEN BORE AT 5-7 O'CLOCK-POSITION

3 - TORQUE TO 6Nm +/-0.5Nm.

4 - PIPE SUPPLIED BY CUSTOMER. PIPE SIZE: 8x1

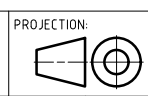


PIPE END IN THE ROTATING UNION



CUSTOMER INTERFACE

OPERATING DATA	
MEDIA	WATER
PRESSURE MAX.	10 bar
SPEED MAX.	3500 min <sup>-1</sup>
TEMPERATURE MAX.	90 °C
DRY RUN (WITHOUT ANY MEDIA)	SEE 040-732
RECOMMENDED FILTRATION	60 micron



PROJECTION: SCALE: 1:1  
 MATERIAL: INTERFACE CONTROL DRAWING

DATE	NAME	TITLE
DRN. 31.05.1999	F. Dahl	DEUBLIN ROTATING UNION DEUBLIN Drehdurchführung
ENGR. 31.05.1999	F. Dahl	
APPD.		

ISSUE	MODIFICATION	ECO	DATE	MZe	SIGN
G	SEC 00	60006	12/20	MZe	

NO. 157-410-401  
 SHEET A2

UNLESS SPECIFICALLY TOLERANCED, ALL DIMENSIONS ARE CONSIDERED REFERENCE