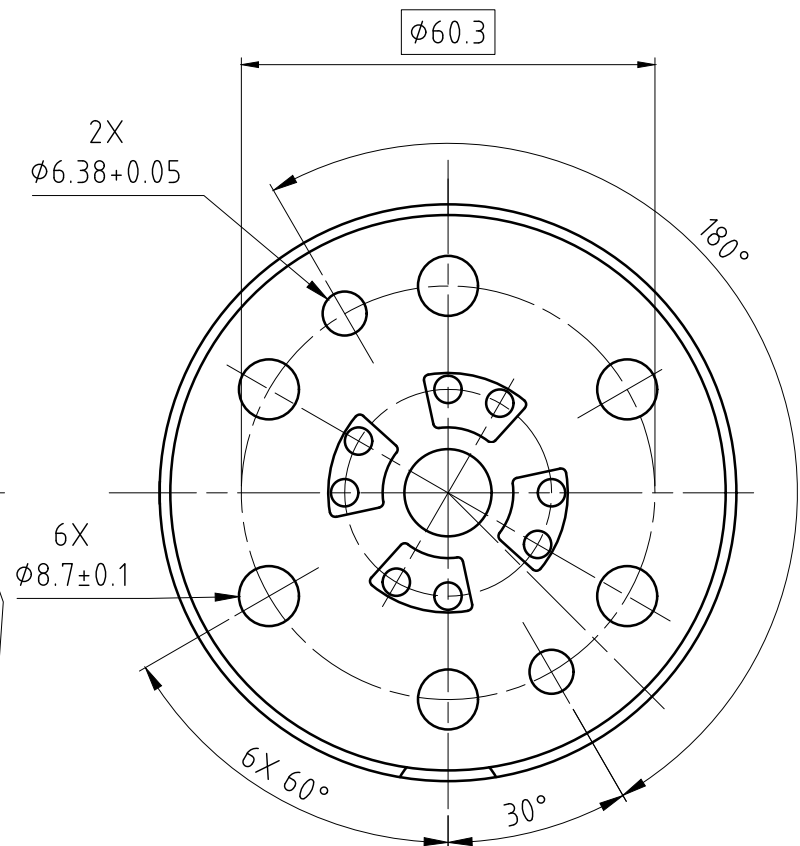
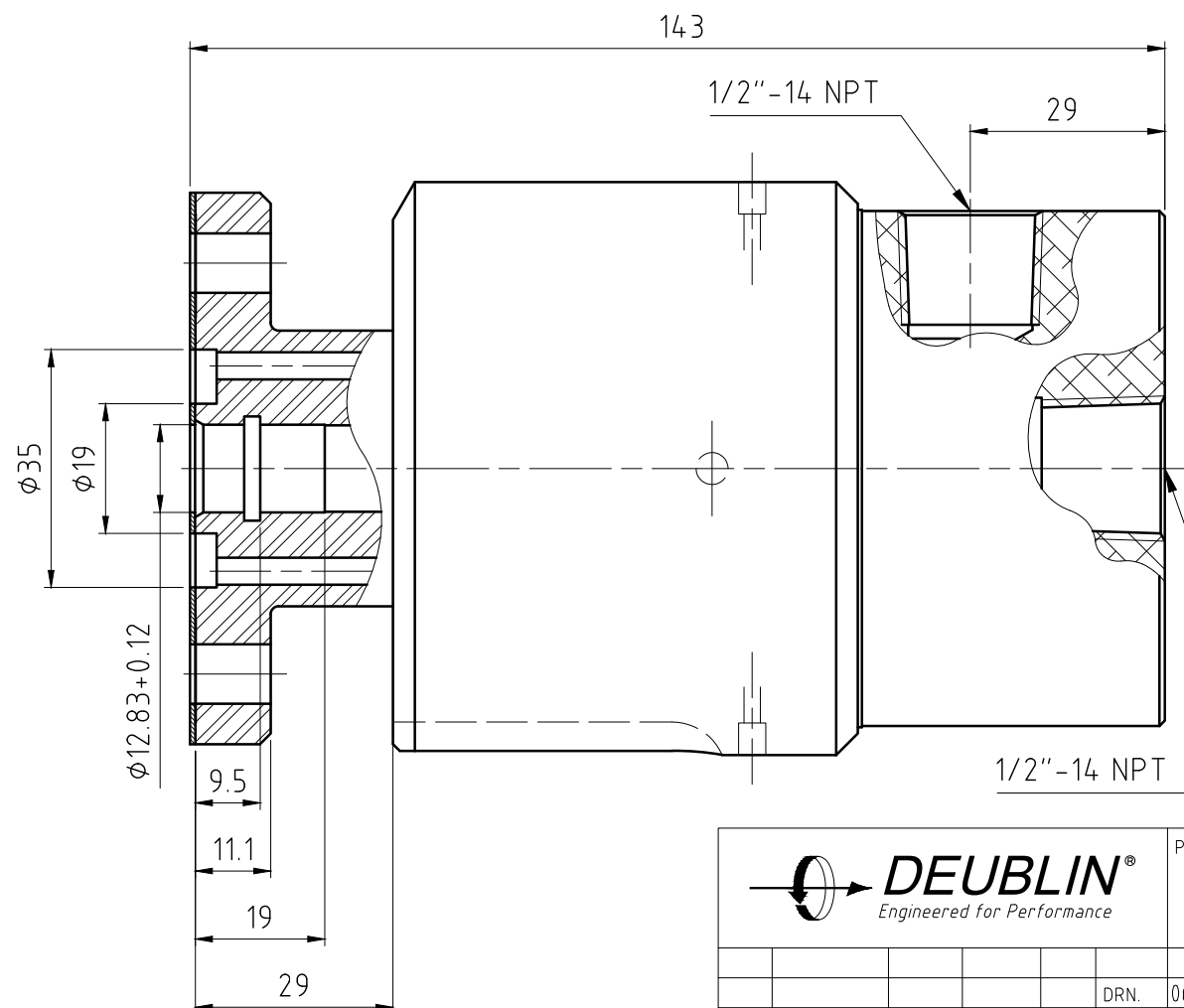
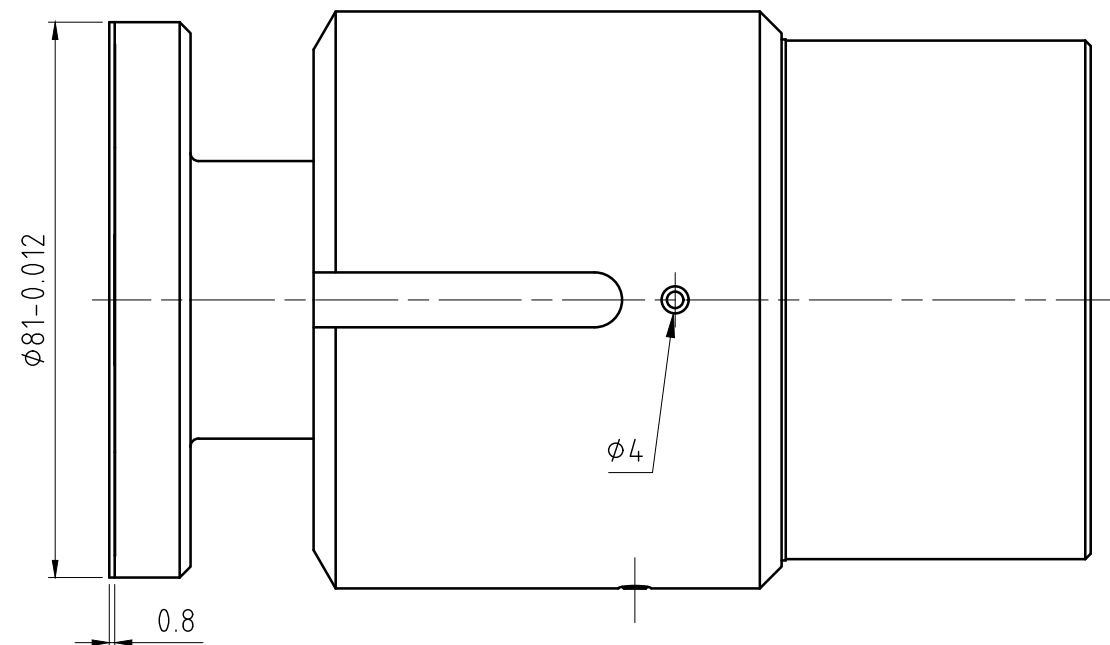
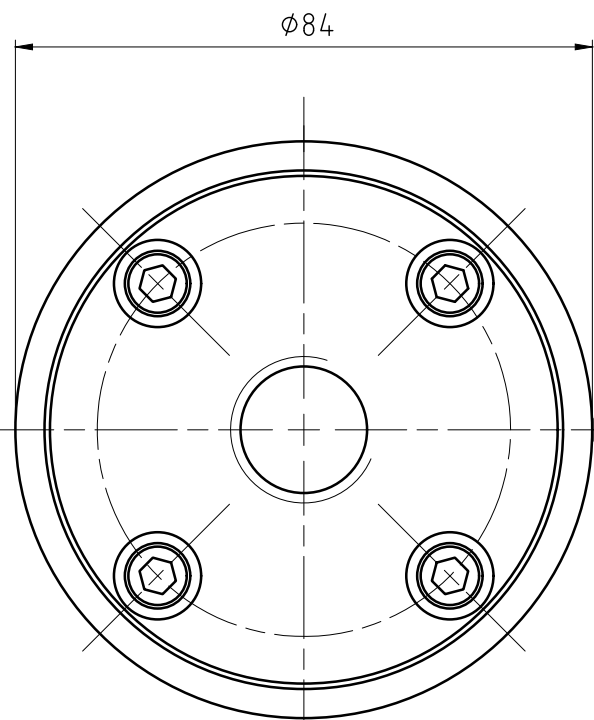


NOTES:

1 - MODEL 1579 UNIONS SHOULD BE RETURNED TO FACTORY FOR SERVICING. SPECIAL TOOLS AND FIXTURES ARE REQUIRED MAKING SERVICING IN THE FIELD IMPRACTICAL.

CONFIDENTIAL
THIS DOCUMENT CONTAINS CONFIDENTIAL AND PROPRIETARY INFORMATION OF DEUBLIN COMPANY. COPYING, USE, TRANSMISSION, DISTRIBUTION, AND DISCLOSURE ARE SUBJECT TO THE TERMS AND CONDITIONS CONTAINED IN YOUR AGREEMENT WITH DEUBLIN COMPANY. ALL RIGHTS RESERVED.



OPERATING DATA	
MEDIA	HYDRAULIC
MAX. PRESSURE	1000 PSI
MAX. SPEED	1500 RPM
MAX. TEMPERATURE	250°F

		PROJECTION:		SCALE: 1:1	
		MATERIAL:		INTERFACE CONTROL DRAWING	
		DATE	NAME	TITLE:	
		DRN. 06/11/2014	R. Abarca	DEUBLIN UNION	
		ENGR. 06/11/2014	T. Wilson		
		APPD.			
		UNLESS SPECIFICALLY TOLERANCED, ALL DIMENSIONS ARE CONSIDERED REFERENCE		NO. 1579-000	
ISSUE	MODIFICATION	ECO	DATE	SIGN	SHEET A3