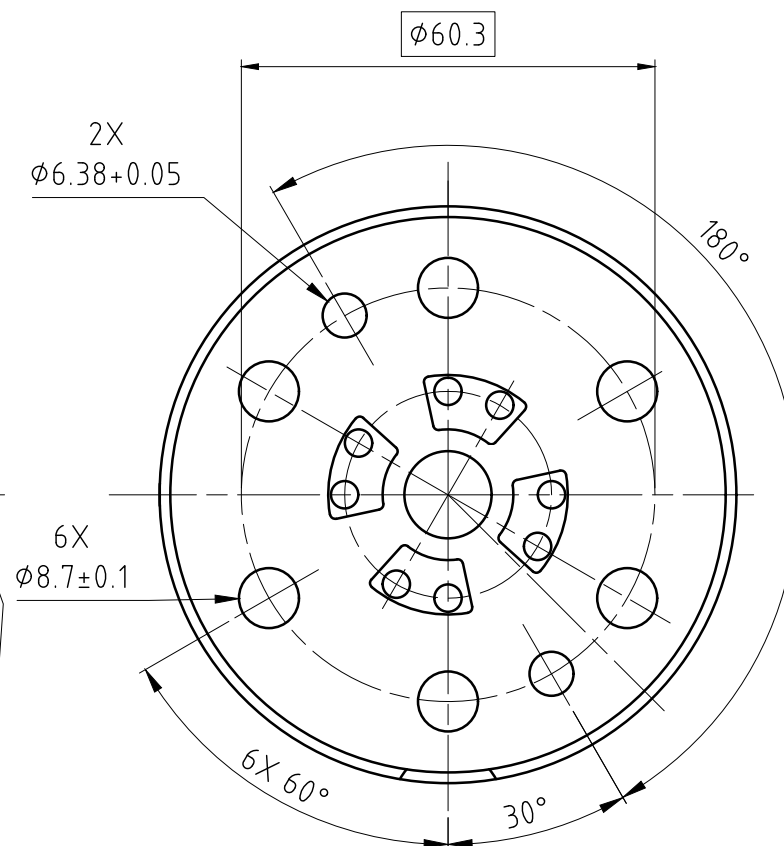
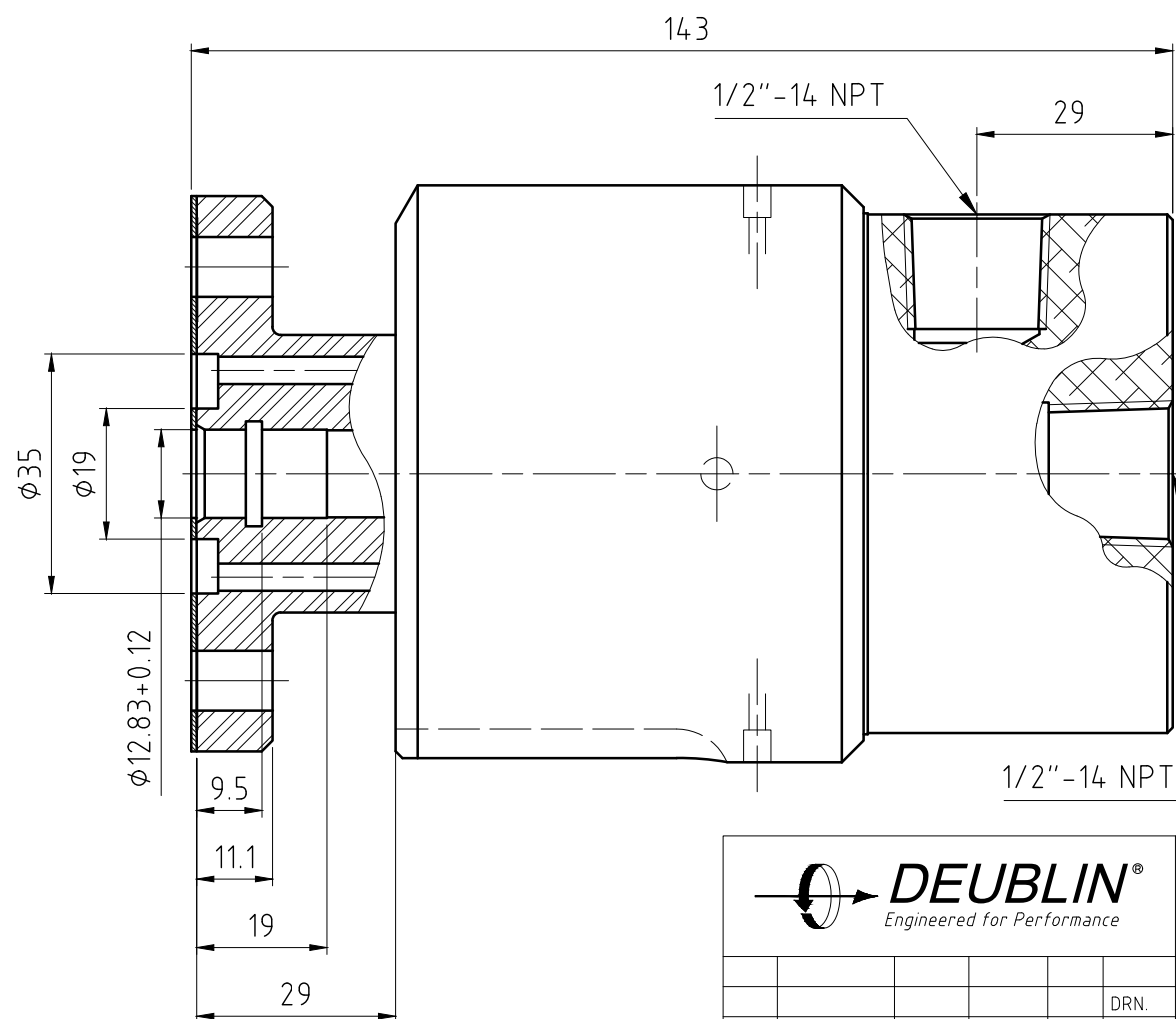
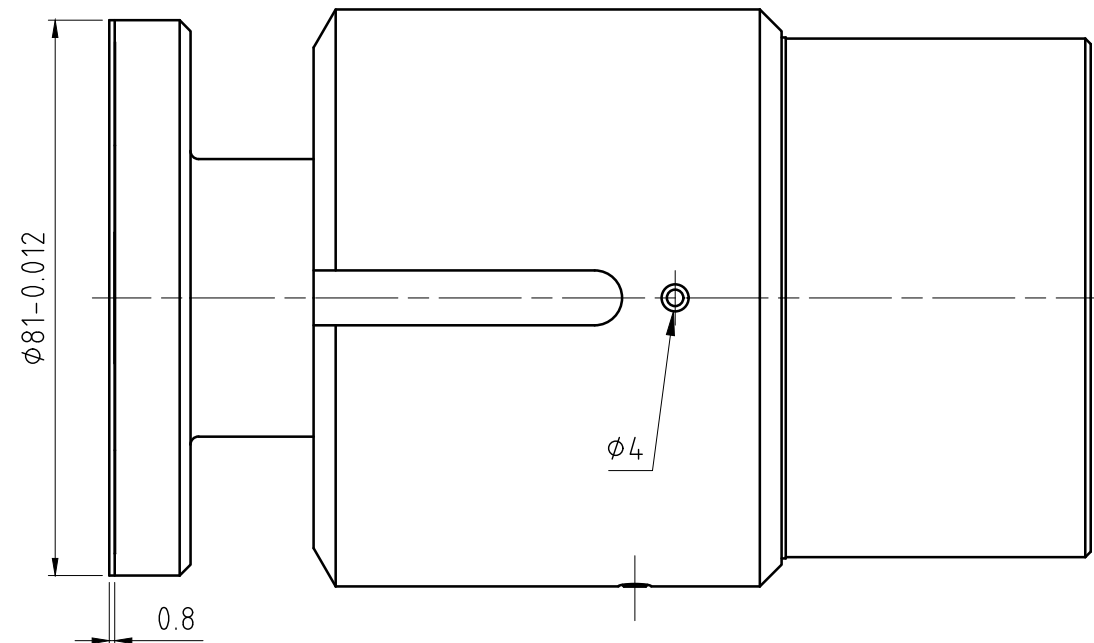
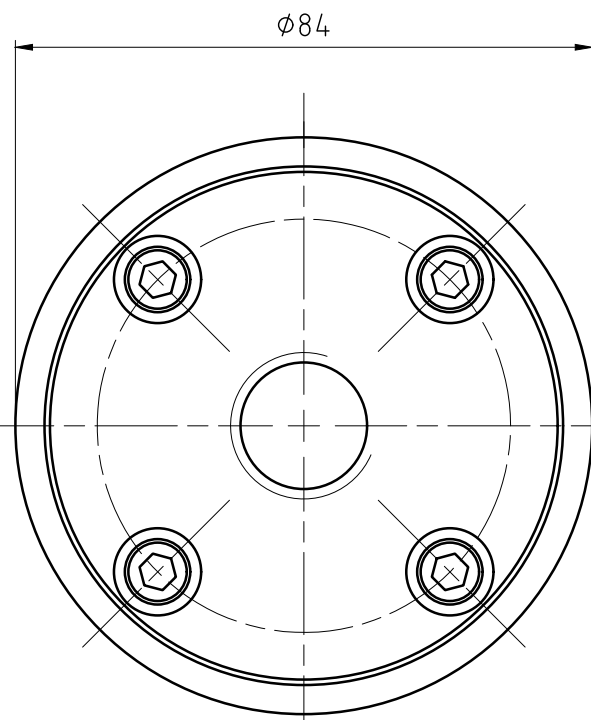


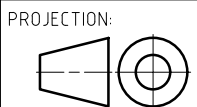
NOTES:

1 - MODEL 1579 UNIONS SHOULD BE RETURNED TO FACTORY FOR SERVICING. SPECIAL TOOLS AND FIXTURES ARE REQUIRED MAKING SERVICING IN THE FIELD IMPRACTICAL.

CONFIDENTIAL  
THIS DOCUMENT CONTAINS CONFIDENTIAL AND PROPRIETARY INFORMATION OF DEUBLIN COMPANY. COPYING, USE, TRANSMISSION, DISTRIBUTION, AND DISCLOSURE ARE SUBJECT TO THE TERMS AND CONDITIONS CONTAINED IN YOUR AGREEMENT WITH DEUBLIN COMPANY. ALL RIGHTS RESERVED.



OPERATING DATA	
MEDIA	HYDRAULIC
MAX. PRESSURE	1000 PSI
MAX. SPEED	1500 RPM
MAX. TEMPERATURE	250°F
PRESSURE RATING IS FOR INNER PASSAGE ONLY.	



PROJECTION:  SCALE: 1:1  
MATERIAL: INTERFACE CONTROL DRAWING

DATE	NAME	TITLE
DRN. 06/11/2014	R. Abarca	DEUBLIN UNION
ENGR. 06/11/2014	T. Wilson	
APPD.		

NO. 1579-041  
SHEET A3

ISSUE	MODIFICATION	ECO	DATE	RA	SIGN	UNLESS SPECIFICALLY TOLERANCED, ALL DIMENSIONS ARE CONSIDERED REFERENCE
A	ADD GERMAN TRANS.	031177	12/14	RA		