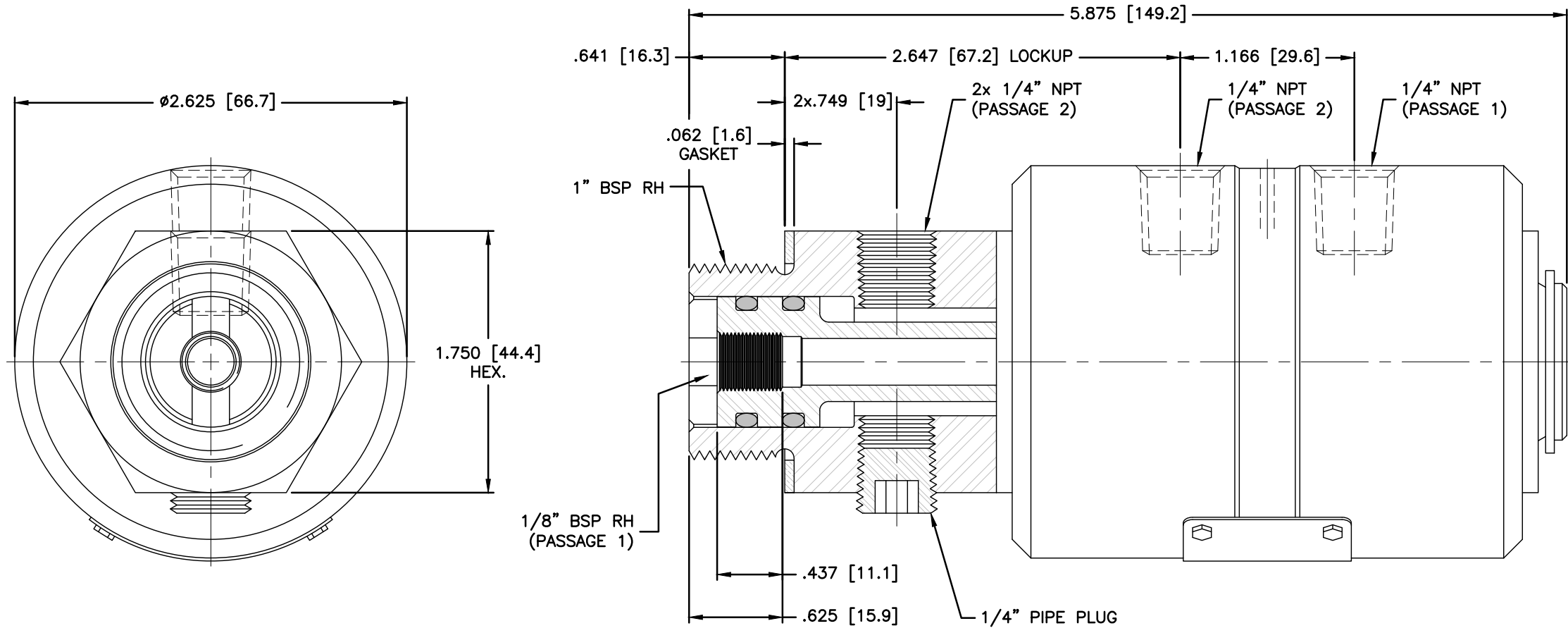


NOTES:

1 - WHEN ORDERING FROM DEUBLIN USE PART NUMBER: 1690-000-170.

DWG. NO.
1690-000-170-IC



OPERATING DATA:
 AIR / HYDRAULIC / VACUUM SERVICE
 150 PSI [10bar] MAX. AIR PRESSURE
 3000 PSI [204bar] MAX. HYDRAULIC PRESSURE
 28" Hg [6.7KPa] MAX. VACUUM PRESSURE
 250 RPM [250/min] MAX. SPEED
 250°F MAX. TEMPERATURE

CONFIDENTIAL
 THIS DOCUMENT CONTAINS CONFIDENTIAL AND PROPRIETARY INFORMATION OF DEUBLIN COMPANY. COPYING, USE, TRANSMISSION, DISTRIBUTION, AND DISCLOSURE ARE SUBJECT TO THE TERMS AND CONDITIONS CONTAINED IN YOUR AGREEMENT WITH DEUBLIN COMPANY. ALL RIGHTS RESERVED.

SCALE	1.66:1	DWG SIZE	C
DRN	GA	DATE	04/12/04
ENGR			
APPD			
PART NO.	1690-000-170		
CUSTOMER			
LET.	REVISION	ECO	DATE SIGN

UNLESS SPECIFICALLY TOLERANCED, ALL DIMENSIONS ARE REFERENCE
 DIMENSIONS IN [] ARE IN MILLIMETERS.

DEUBLIN COMPANY
 WAUKEGAN, ILLINOIS, U.S.A.

TITLE: INTERFACE CONTROL
 DRAWING FOR DEUBLIN
 UNION 1690-000-170

DWG. NO. 1690-000-170-IC
 C.A.D. DRAWING