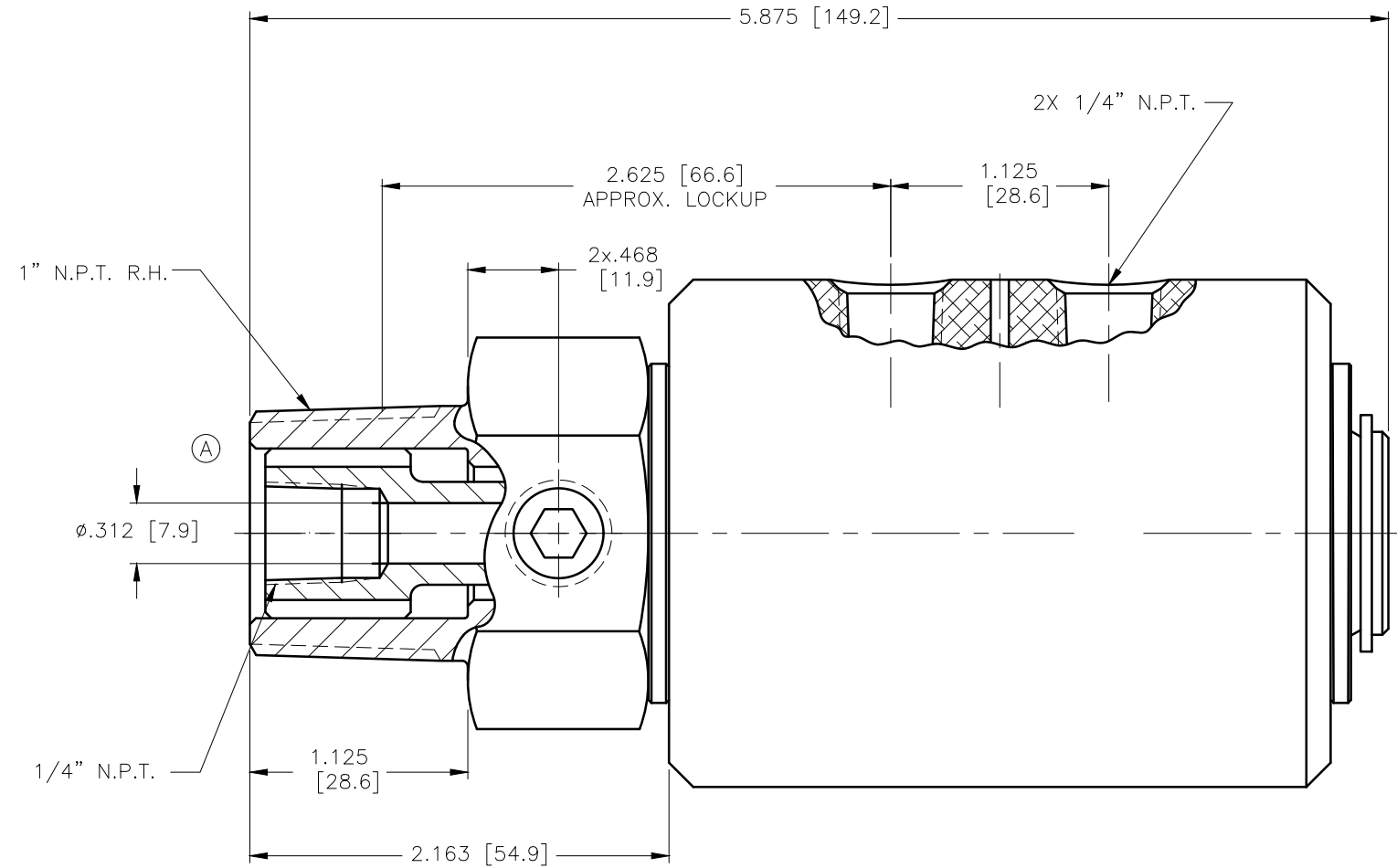
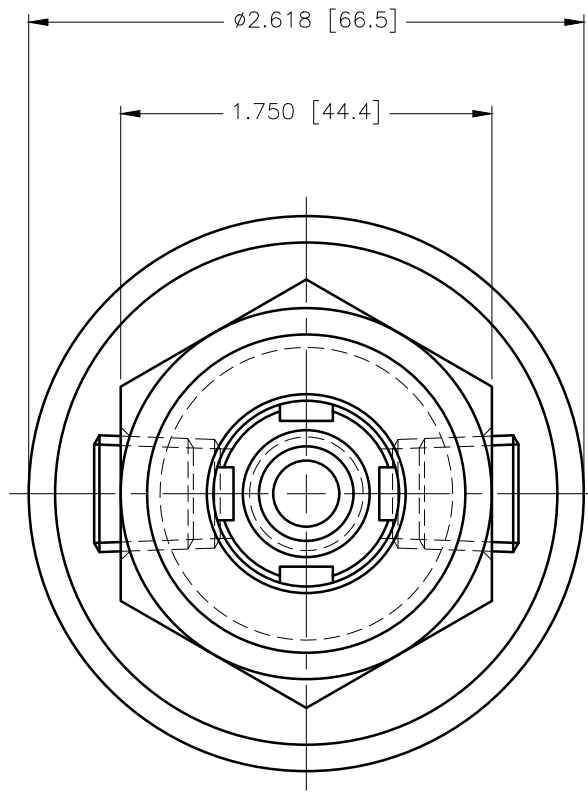


NOTES:  
 1 - WHEN ORDERING FROM DEUBLIN USE PART NUMBER: 1690-000-184.

DWG. NO.  
 1690-000-184-IC



**OPERATING DATA:**

AIR / HYDRAULIC / VACUUM SERVICE  
 150 PSI [10bar] MAX. AIR PRESSURE  
 3000 PSI [204bar] MAX. HYDRAULIC PRESSURE  
 28" Hg [6,7KPa] MAX. VACUUM PRESSURE  
 250 RPM [250/min] MAX. SPEED  
 250°F [121°C] MAX. TEMPERATURE

CONFIDENTIAL  
 THIS DOCUMENT CONTAINS CONFIDENTIAL AND PROPRIETARY INFORMATION OF DEUBLIN COMPANY. COPYING, USE, TRANSMISSION, DISTRIBUTION, AND DISCLOSURE ARE SUBJECT TO THE TERMS AND CONDITIONS CONTAINED IN YOUR AGREEMENT WITH DEUBLIN COMPANY. ALL RIGHTS RESERVED.

**DEUBLIN** COMPANY  
 WAUKEGAN, ILLINOIS, U.S.A.

TITLE: INTERFACE CONTROL  
 DRAWING FOR DEUBLIN  
 UNION 1690-000-184

DWG. NO. C.A.D. DRAWING  
 1690-000-184-IC

SCALE	1.66:1	DWG SIZE	C
DRN	RM	06/27/05	
ENGR	ARS	06/27/05	
APPD	ARS	06/27/05	
PART NO.	1690-000-184		
CUSTOMER			
A	REV. INNER RTR PICTORIALY	10/07	LG
LET.	REVISION	ECO	DATE SIGN

UNLESS SPECIFICALLY TOLERANCED, ALL DIMENSIONS ARE REFERENCE  
 DIMENSIONS IN [ ] ARE IN MILLIMETERS.