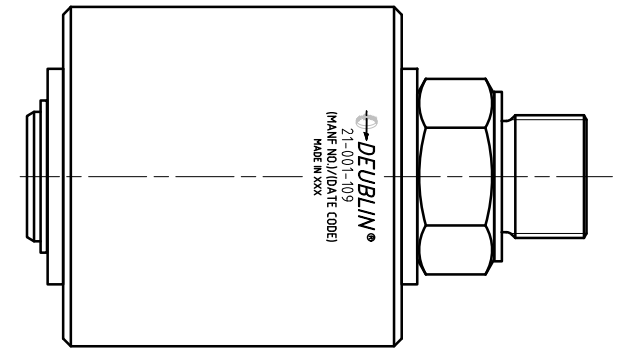
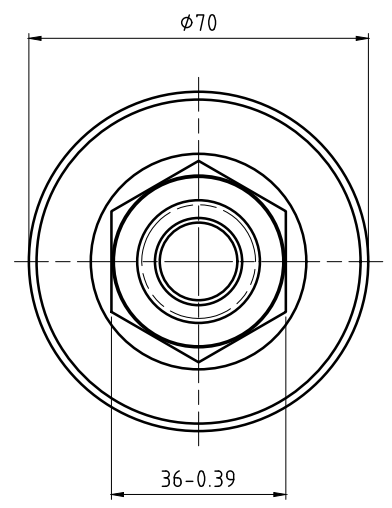
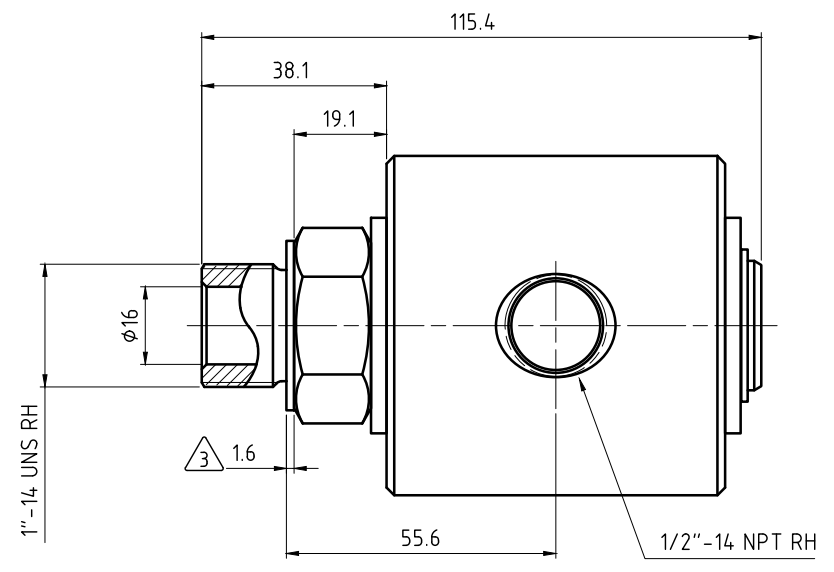


CONFIDENTIAL
 THIS DOCUMENT CONTAINS CONFIDENTIAL AND PROPRIETARY
 INFORMATION OF DEUBLIN COMPANY. COPYING, USE,
 TRANSMISSION, DISTRIBUTION, AND DISCLOSURE ARE SUBJECT
 TO THE TERMS AND CONDITIONS CONTAINED IN YOUR
 AGREEMENT WITH DEUBLIN COMPANY. ALL RIGHTS RESERVED.

NOTES:

- 1 - OPERATION AT MAXIMUM PRESSURE COMBINED WITH MAXIMUM SPEED SHOULD BE AVOIDED.
- 2 - USE INSTALLATION INSTRUCTION 040-513.
- 3 - GASKET.



| OPERATING DATA 1 | | | | |
|------------------|---------|-----------------------|-----------------------|-----------------------|
| MEDIA | | AIR | HYDRAULIC OIL | VACUUM |
| PRESSURE | MAXIMUM | 10 bar | 204 bar | 6.7 kPa |
| | MINIMUM | 5 °C | 5 °C | 5 °C |
| TEMPERATURE | MAXIMUM | 121 °C | 121 °C | 121 °C |
| | MINIMUM | 5 °C | 5 °C | 5 °C |
| SPEED | MAXIMUM | 250 min ⁻¹ | 250 min ⁻¹ | 250 min ⁻¹ |

| | | PROJECTION: | SCALE: 1:1 | | | | | | | | | | |
|--|--------------|-------------|--------------|-----------------|-----------|------------------|----------|-------|--|--|--|-----------------------|-----------------|
| <table border="1"> <tr> <th>DATE</th> <th>NAME</th> </tr> <tr> <td>DRN. 11/04/2009</td> <td>galindolm</td> </tr> <tr> <td>ENGR. 04/06/2010</td> <td>eloacker</td> </tr> <tr> <td>APPD.</td> <td></td> </tr> </table> | | DATE | NAME | DRN. 11/04/2009 | galindolm | ENGR. 04/06/2010 | eloacker | APPD. | | TITLE: INTERFACE CONTROL DRAWING UNION, 21, 1" -14 UNS RH ROTOR | | | |
| DATE | NAME | | | | | | | | | | | | |
| DRN. 11/04/2009 | galindolm | | | | | | | | | | | | |
| ENGR. 04/06/2010 | eloacker | | | | | | | | | | | | |
| APPD. | | | | | | | | | | | | | |
| <table border="1"> <tr> <th>ISSUE</th> <th>MODIFICATION</th> <th>ECO</th> <th>DATE</th> <th>SIGN</th> </tr> <tr> <td> </td> <td> </td> <td> </td> <td> </td> <td> </td> </tr> </table> | | ISSUE | MODIFICATION | ECO | DATE | SIGN | | | | | | NO. 21-001-109 | SHEET A2 |
| ISSUE | MODIFICATION | ECO | DATE | SIGN | | | | | | | | | |
| | | | | | | | | | | | | | |
| UNLESS SPECIFICALLY TOLERANCED, ALL DIMENSIONS ARE CONSIDERED REFERENCE | | | | | | | | | | | | | |