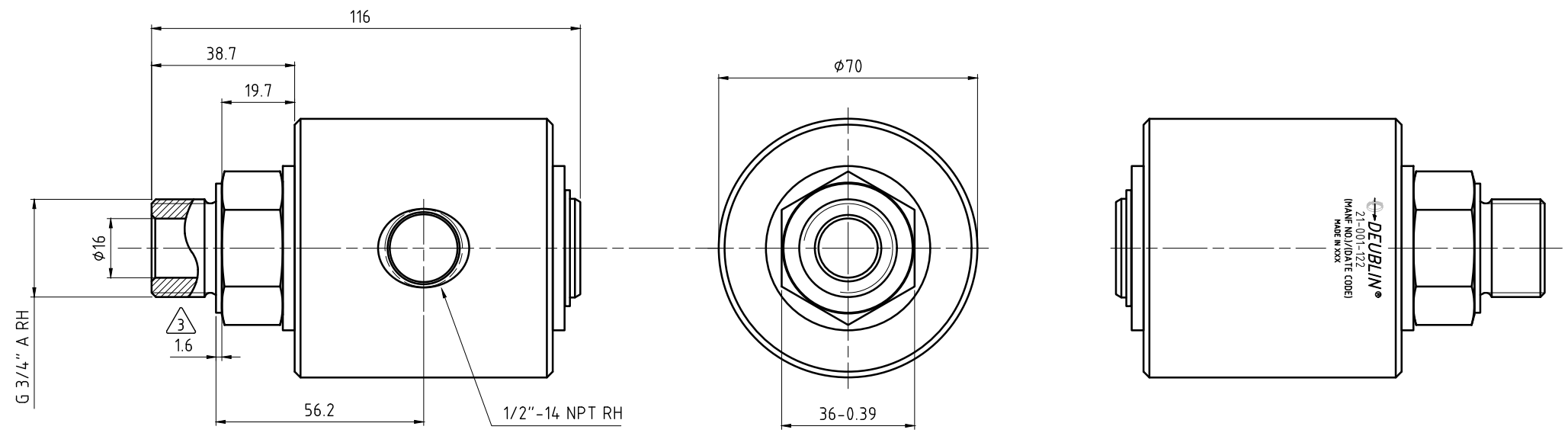


CONFIDENTIAL  
 THIS DOCUMENT CONTAINS CONFIDENTIAL AND PROPRIETARY  
 INFORMATION OF DEUBLIN COMPANY. COPYING, USE,  
 TRANSMISSION, DISTRIBUTION, AND DISCLOSURE ARE SUBJECT  
 TO THE TERMS AND CONDITIONS CONTAINED IN YOUR  
 AGREEMENT WITH DEUBLIN COMPANY. ALL RIGHTS RESERVED.

NOTES:

- 1 - OPERATION AT MAXIMUM PRESSURE COMBINED WITH MAXIMUM SPEED SHOULD BE AVOIDED.
- 2 - USE INSTALLATION INSTRUCTION 040-513.
- 3 - GASKET.



OPERATING DATA 1				
MEDIA		AIR	HYDRAULIC OIL	VACUUM
PRESSURE	MAXIMUM	10 bar	204 bar	6.7 kPa
TEMPERATURE	MAXIMUM	121 °C	121 °C	121 °C
	MINIMUM	5 °C	5 °C	5 °C
SPEED	MAXIMUM	250 min <sup>-1</sup>	250 min <sup>-1</sup>	250 min <sup>-1</sup>

		PROJECTION:	SCALE: 1:1
			MATERIAL:
		DATE: 11/04/2009 NAME: galindolm	TITLE: INTERFACE CONTROL DRAWING UNION, 21, G 3/4" A RH ROTOR
		ENGR. 04/06/2010 NAME: eloacker	
		APPD.	
A REV 10 MS ISSUE MODIFICATION	007947 ECO	11/09 DATE	LG SIGN
UNLESS SPECIFICALLY TOLERANCED, ALL DIMENSIONS ARE CONSIDERED REFERENCE			NO. 21-001-122
			SHEET A2