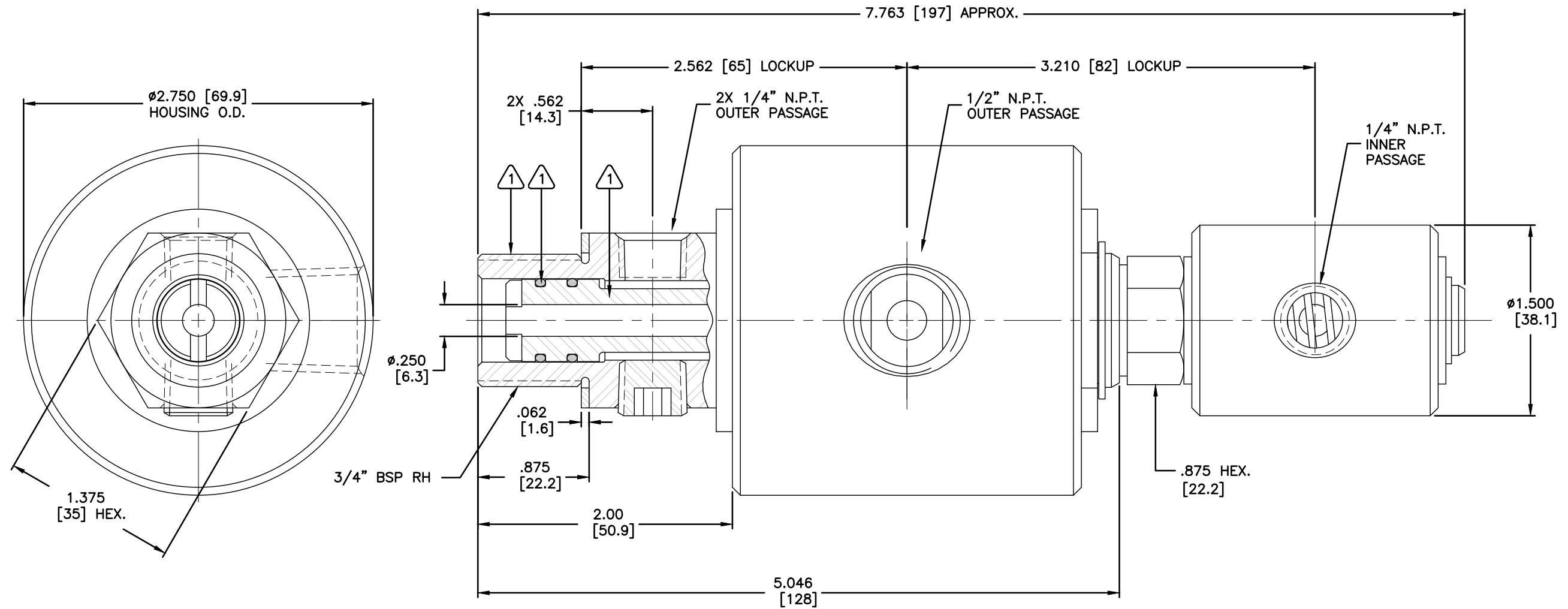


NOTES:

- 1 - ITEMS COMPRISE THE 2117-105 ROTOR ASSEMBLY.
- 2 - WHEN ORDERING FROM DEUBLIN USE PART NUMBER: 2117-001-105.



| OPERATING DATA    |                 |         |
|-------------------|-----------------|---------|
| MEDIA             | AIR & HYDRAULIC |         |
| MAX AIR PRESSURE  | 150 PSI         | 10 bar  |
| MAX HYD. PRESSURE | 3000 PSI        | 204 bar |
| MAX SPEED         | 250 RPM         | 250/min |
| MAX TEMPERATURE   | 250°F           | 121°C   |

CONFIDENTIAL  
 THIS DOCUMENT CONTAINS CONFIDENTIAL AND PROPRIETARY INFORMATION OF DEUBLIN COMPANY. COPYING, USE, TRANSMISSION, DISTRIBUTION, AND DISCLOSURE ARE SUBJECT TO THE TERMS AND CONDITIONS CONTAINED IN YOUR AGREEMENT WITH DEUBLIN COMPANY. ALL RIGHTS RESERVED.

|          |              |          |           |
|----------|--------------|----------|-----------|
| SCALE    | 1.66:1       | DWG SIZE | C         |
| DRN      | RM           | 09/14/04 |           |
| ENGR     |              |          |           |
| APPD     |              |          |           |
| PART NO. | 2117-001-105 |          |           |
| CUSTOMER |              |          |           |
| LET.     | REVISION     | ECO      | DATE SIGN |

UNLESS SPECIFICALLY TOLERANCED, ALL DIMENSIONS ARE REFERENCE  
 DIMENSIONS IN [ ] ARE IN MILLIMETERS.

**DEUBLIN** COMPANY  
 WAUKEGAN, ILLINOIS, U.S.A.

TITLE: INTERFACE CONTROL  
 DRAWING FOR DEUBLIN  
 UNION 2117-001-105

DWG. NO. 2117-001-105-IC  
 C.A.D. DRAWING