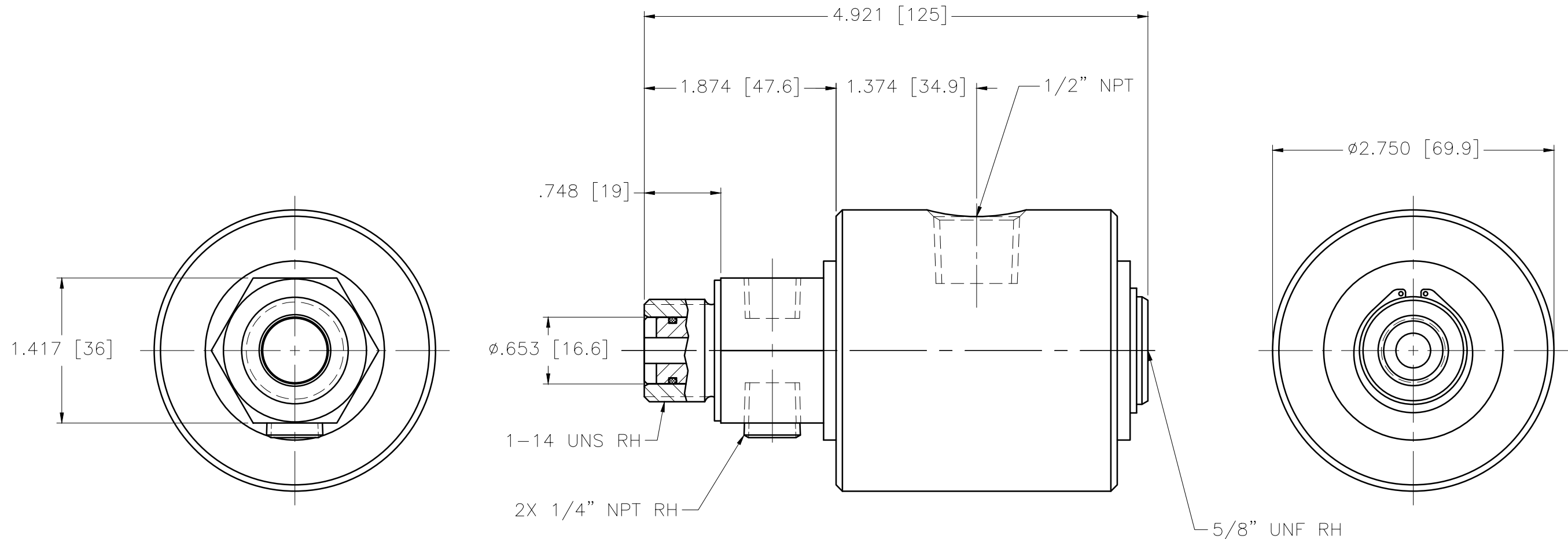


CONFIDENTIAL
 THIS DOCUMENT CONTAINS CONFIDENTIAL AND PROPRIETARY INFORMATION OF DEUBLIN COMPANY. COPYING, USE, TRANSMISSION, DISTRIBUTION, AND DISCLOSURE ARE SUBJECT TO THE TERMS AND CONDITIONS CONTAINED IN YOUR AGREEMENT WITH DEUBLIN COMPANY. ALL RIGHTS RESERVED.

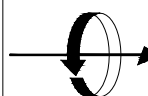


OPERATING DATA		
MEDIA	AIR & HYDRAULIC	
MAX AIR PRESSURE	150 PSI	10 bar
MAX HYD. PRESSURE	3000 PSI	204 bar
MAX SPEED	250 RPM	250/min
MAX TEMPERATURE	250°F	121°C

LET.	REVISION	ECO	DATE	SIGN

SCALE	1 = 1	DWG SIZE
DRN	NR	11/17/09
ENGR	TW	11/17/09
APPD	TW	11/17/09
PART NO.	2117-005-103	
CUSTOMER		

UNLESS SPECIFICALLY TOLERANCED, ALL DIMENSIONS ARE REFERENCE
 DIMENSIONS IN [] ARE IN MILLIMETERS.

 **DEUBLIN** COMPANY
 WAUKEGAN, ILLINOIS, U.S.A.

TITLE: INTERFACE CONTROL DRAWING OF DEUBLIN UNION 2117-005-103

DWG NO. 2117-005-103 C.A.D DRAWING