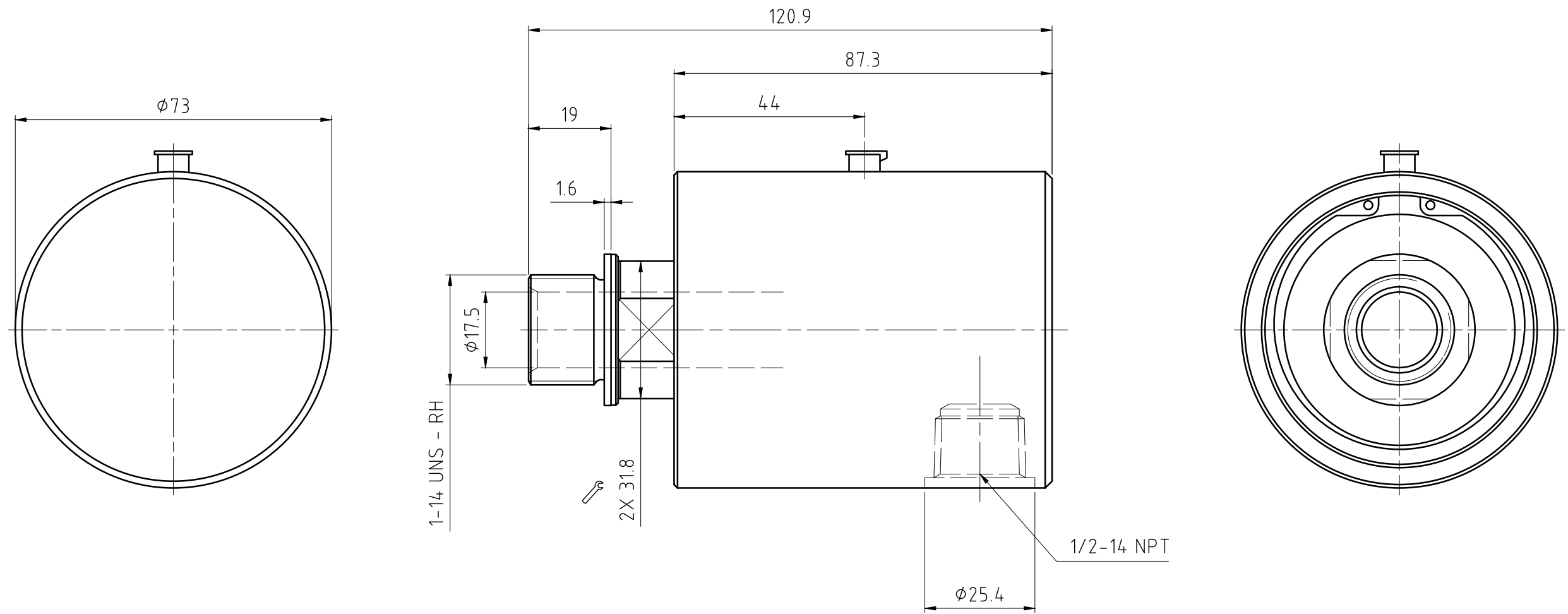


CONFIDENTIAL
 THIS DOCUMENT CONTAINS CONFIDENTIAL AND PROPRIETARY
 INFORMATION OF DEUBLIN COMPANY. COPYING, USE,
 TRANSMISSION, DISTRIBUTION, AND DISCLOSURE ARE SUBJECT
 TO THE TERMS AND CONDITIONS CONTAINED IN YOUR
 AGREEMENT WITH DEUBLIN COMPANY. ALL RIGHTS RESERVED.



OPERATING DATA		
MEDIA	AIR	HYDRAULIC
MAX. PRESSURE	10 bar	70 bar
MAX. VACUUM	6.7 kPa	6.7 kPa
MAX. SPEED	3,500/min	3,500/min
MAX. TEMPERATURE	120°C	120°C

		PROJECTION:	SCALE: 1:1	
			MATERIAL:	
		DATE	NAME	
		DRN. 10/24/2013	R. Abarca	
		ENGR. 10/24/2013	T. Wilson	
		APPD.		
		TITLE: DEUBLIN UNION		
		NO. 2200-000-003		
		SHEET A3		
B	UPDATE TITLE BLOCK	025533	10/13	RA
A	250-003 WAS 2200-003	008318	02/10	NR
ISSUE	MODIFICATION	ECO	DATE	SIGN

UNLESS SPECIFICALLY TOLERANCED, ALL DIMENSIONS ARE CONSIDERED REFERENCE