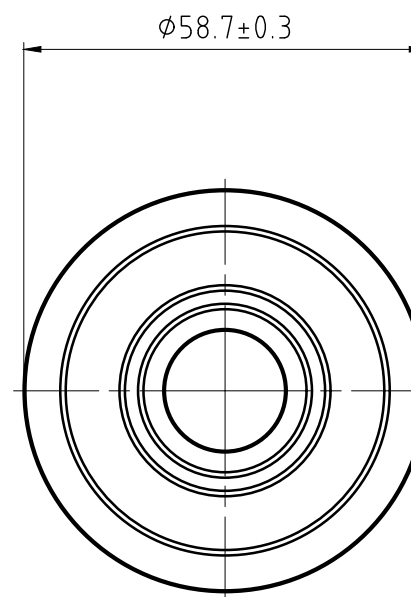
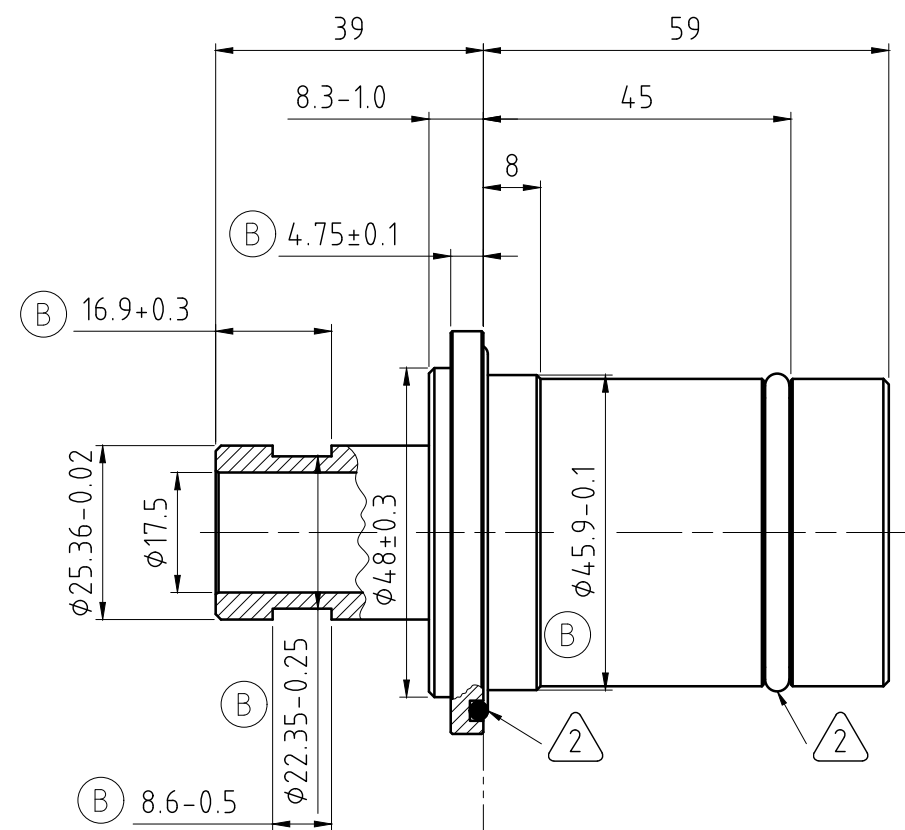


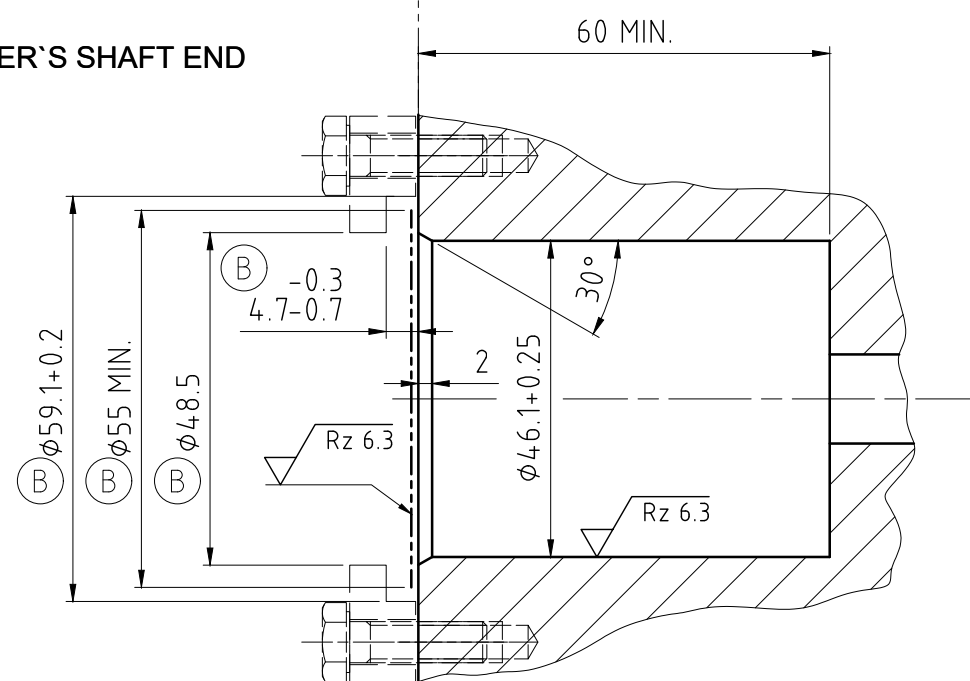
CONFIDENTIAL
 THIS DOCUMENT CONTAINS CONFIDENTIAL AND PROPRIETARY
 INFORMATION OF DEUBLIN COMPANY. COPYING, USE,
 TRANSMISSION, DISTRIBUTION, AND DISCLOSURE ARE SUBJECT
 TO THE TERMS AND CONDITIONS CONTAINED IN YOUR
 AGREEMENT WITH DEUBLIN COMPANY. ALL RIGHTS RESERVED.

NOTES:

- (B) 1 - CONTACT DEUBLIN OR VISIT WWW.DEUBLIN.COM FOR INSTRUCTION MANUAL: 040-564
- (2) - LUBRICATE INDICATED O-RINGS WITH SILICONE BASED GREASE.



CUSTOMER'S SHAFT END



OPERATING DATA	
MEDIA	WATER
PRESSURE MAX.	10 bar
SPEED MAX.	100 min ⁻¹
TEMPERATURE MAX.	120 °C
FLOW MAX.	53 l/min

		PROJECTION:		SCALE: 1:1		
		MATERIAL:		INTERFACE CONTROL DRAWING		
		DATE	NAME	TITLE:		
		DRN. 09/14/05	RM	DEUBLIN ROTATING UNION DEUBLIN Drehdurchführung		
		ENGR. 09/14/05	SF			
		APPD.				
B	UPDATE IMS	040896	08.02.2017	HS	NO. 2420-001-000	SHEET A2
A	REMOVED IMPERIAL DIMS	7585	08/06	MJ		
ISSUE	MODIFICATION	ECO	DATE	SIGN	UNLESS SPECIFICALLY TOLERANCED, ALL DIMENSIONS ARE CONSIDERED REFERENCE	