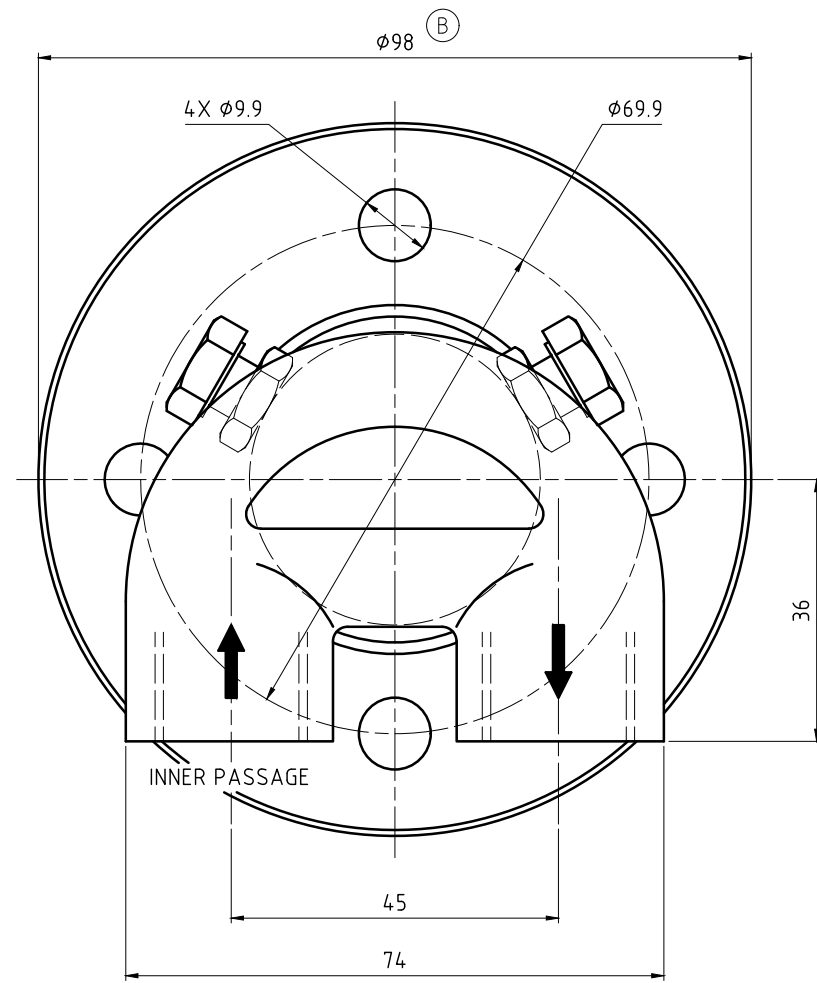
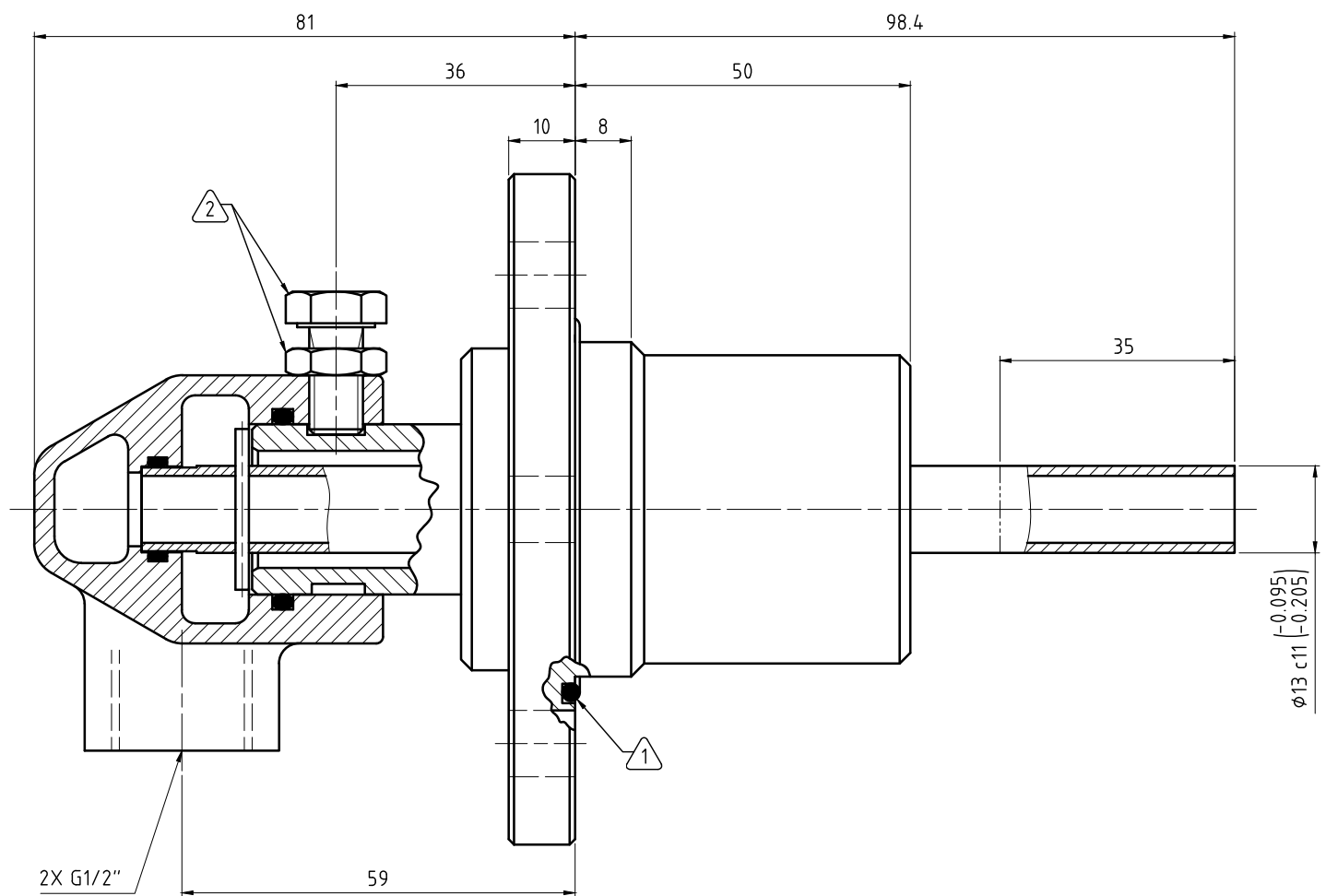


CONFIDENTIAL
 THIS DOCUMENT CONTAINS CONFIDENTIAL AND PROPRIETARY
 INFORMATION OF DEUBLIN COMPANY. COPYING, USE,
 TRANSMISSION, DISTRIBUTION, AND DISCLOSURE ARE SUBJECT
 TO THE TERMS AND CONDITIONS CONTAINED IN YOUR
 AGREEMENT WITH DEUBLIN COMPANY. ALL RIGHTS RESERVED.

NOTES:

- 1 - LUBRICATE INDICATED O-RINGS WITH SILICONE BASED GREASE.
- 2 - TIGHTEN INDICATED BOLTS AND SECURE WITH LOCK NUT.



OPERATING PARAMETERS		
MEDIA	WATER	
MAX. PRESSURE	150 PSI	10 bar
MAX. SPEED	100 RPM	100/min
MAX. TEMPERATURE	250 F	121 C

		PROJECTION:	SCALE: 1.5:1
		DATE: 08/11/06 ENGR: 08/11/06 APPD:	NAME: R. Moore A. LaCroix
		TITLE: DEUBLIN UNION	
		NO. 2420-002-144180	
		SHEET	

ISSUE	MODIFICATION	ECO	DATE	SIGN
B	WAS #00	016678	01/12	RM
A	REVISED DIMENSIONS	008189	11/09	NR

UNLESS SPECIFICALLY TOLERANCED, ALL DIMENSIONS ARE CONSIDERED REFERENCE