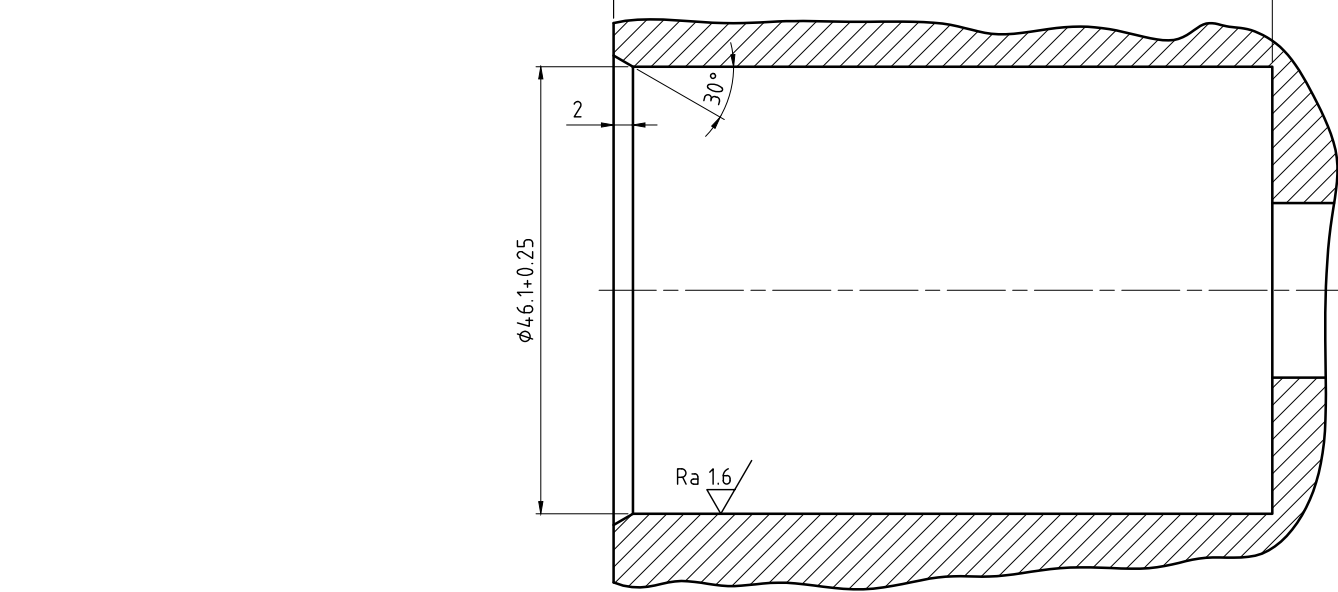
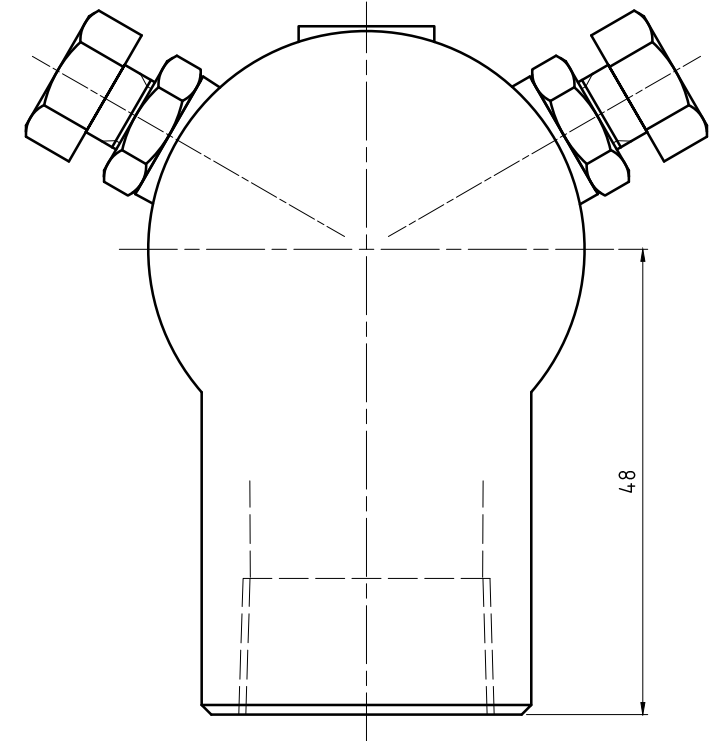
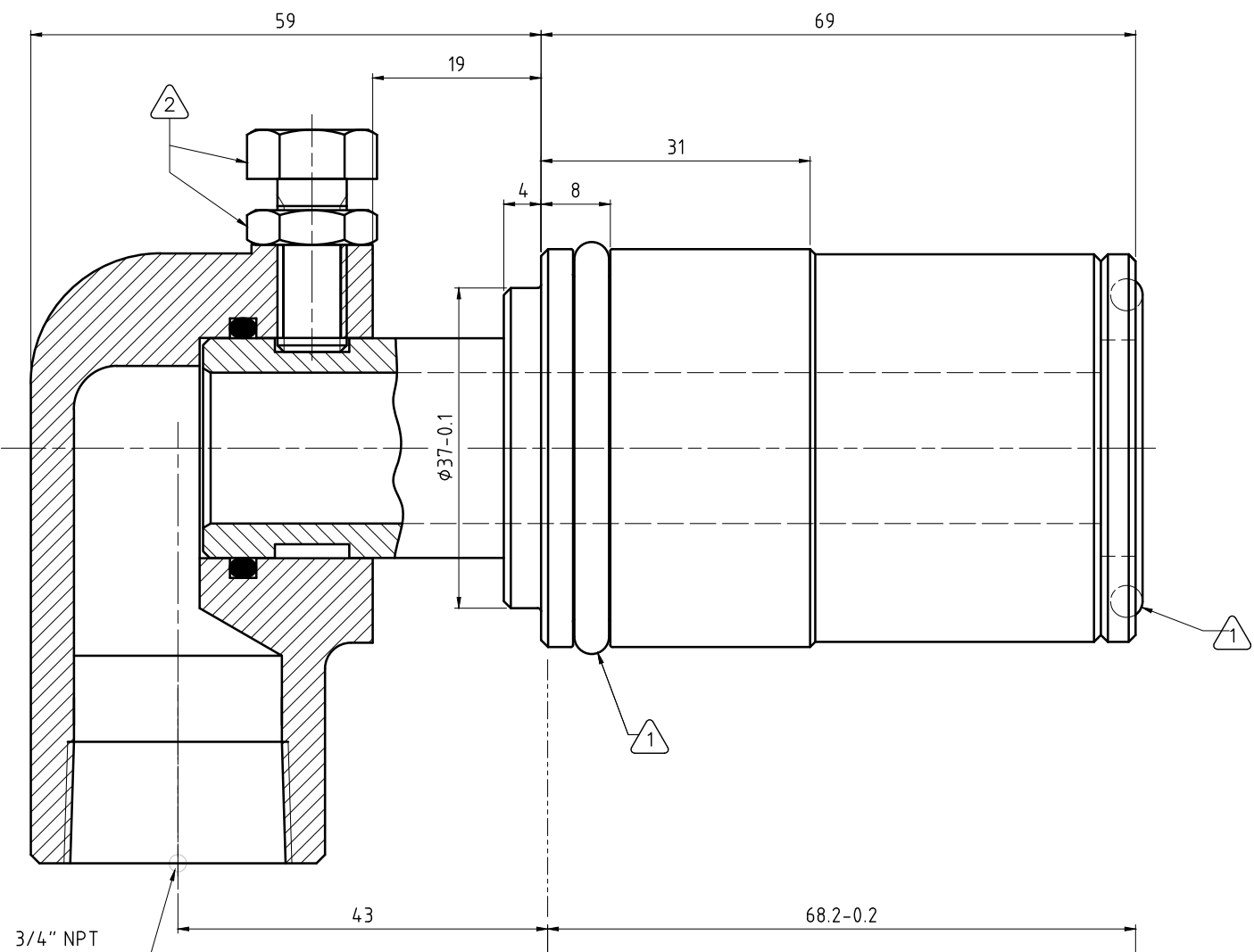


CONFIDENTIAL  
 THIS DOCUMENT CONTAINS CONFIDENTIAL AND PROPRIETARY INFORMATION OF DEUBLIN COMPANY. COPYING, USE, TRANSMISSION, DISTRIBUTION, AND DISCLOSURE ARE SUBJECT TO THE TERMS AND CONDITIONS CONTAINED IN YOUR AGREEMENT WITH DEUBLIN COMPANY. ALL RIGHTS RESERVED.

NOTE:

- 1 - LUBRICATE INDICATED O-RINGS WITH SILICONE BASED GREASE.
- 2 - TIGHTEN INDICATED BOLT AND SECURE WITH LOCK NUT.
- 3 - WHEN ORDERING FROM DEUBLIN USE PART NUMBER: 2420-003-125



CUSTOMER SHAFT DETAIL

OPERATING PARAMETERS		
MEDIA	WATER	
MAX. PRESSURE	150 PSI	10 bar
MAX. SPEED	100 RPM	100/min
MAX. TEMPERATURE	250 F	121 C

DEUBLIN COMPANY WAUKEGAN, ILLINOIS, U.S.A.		PROJECTION: 	SCALE: 2:1 MATERIAL: N/A																									
<table border="1"> <thead> <tr> <th>ISSUE</th> <th>MODIFICATION</th> <th>ECO</th> <th>DATE</th> <th>SIGN</th> </tr> </thead> <tbody> <tr> <td>D</td> <td>UPDATED NEW AND OLD FIN</td> <td>0014</td> <td>07/05/08</td> <td>JK</td> </tr> <tr> <td>C</td> <td>69 WAS 68</td> <td>7699</td> <td>09/06</td> <td>ENGR.</td> </tr> <tr> <td>B</td> <td>REMOVED IMPERIAL DIMS</td> <td>7585</td> <td>08/06</td> <td>MJ</td> </tr> <tr> <td>A</td> <td>WAS #375-41</td> <td>3756</td> <td>04/06</td> <td>RM</td> </tr> </tbody> </table>		ISSUE	MODIFICATION	ECO	DATE	SIGN	D	UPDATED NEW AND OLD FIN	0014	07/05/08	JK	C	69 WAS 68	7699	09/06	ENGR.	B	REMOVED IMPERIAL DIMS	7585	08/06	MJ	A	WAS #375-41	3756	04/06	RM	DATE: 03/20/06 NAME: AL APPD.: AL	TITLE: <b>INTERFACE CONTROL DRAWING          FOR UNION 2420-003-125</b>
ISSUE	MODIFICATION	ECO	DATE	SIGN																								
D	UPDATED NEW AND OLD FIN	0014	07/05/08	JK																								
C	69 WAS 68	7699	09/06	ENGR.																								
B	REMOVED IMPERIAL DIMS	7585	08/06	MJ																								
A	WAS #375-41	3756	04/06	RM																								
NO. 2420-003-125-IC			SHEET A2																									

UNLESS SPECIFICALLY TOLERANCED, ALL DIMENSIONS ARE CONSIDERED REFERENCE