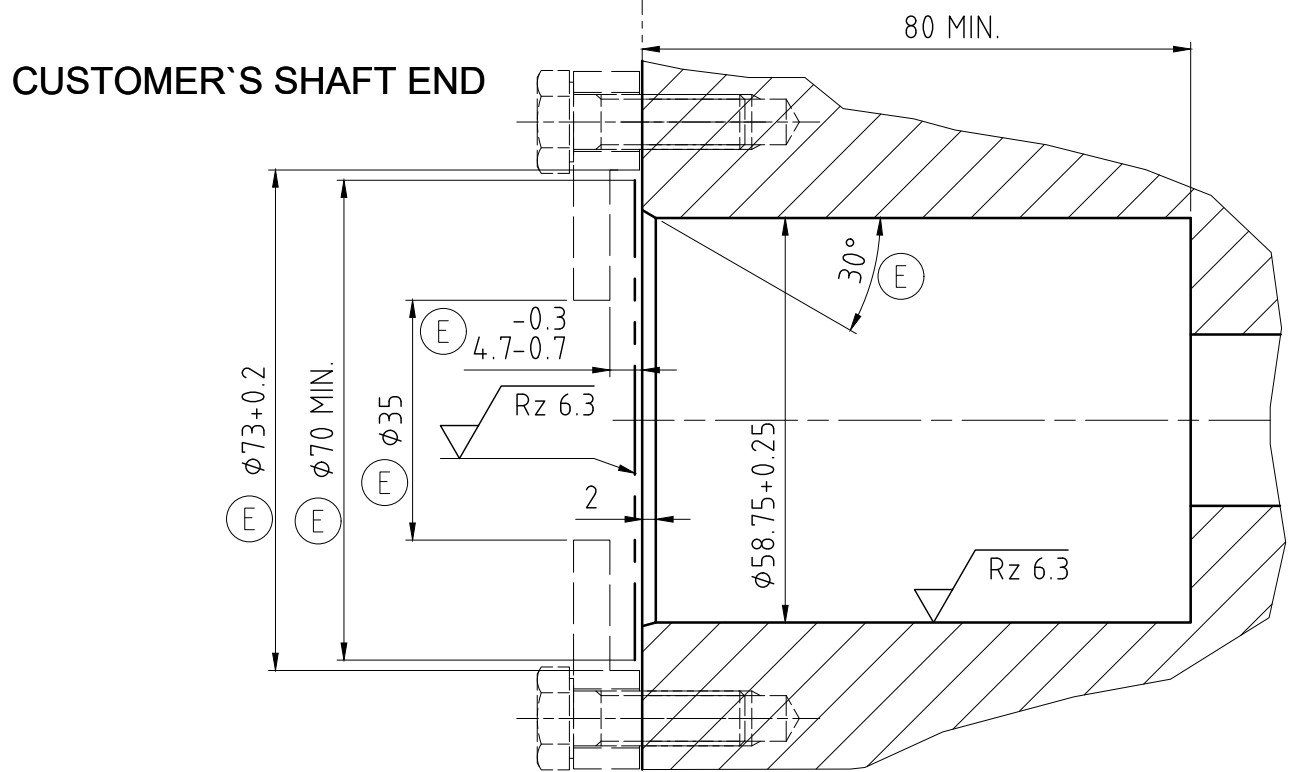
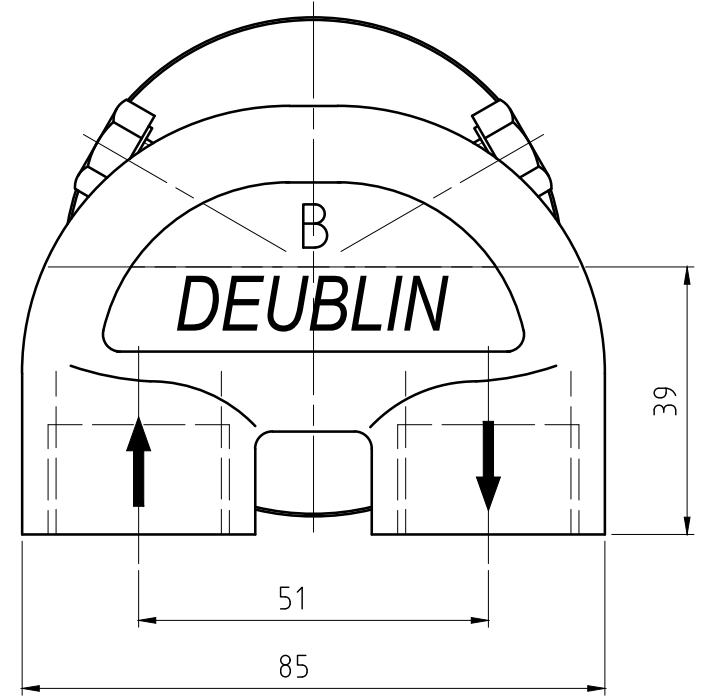
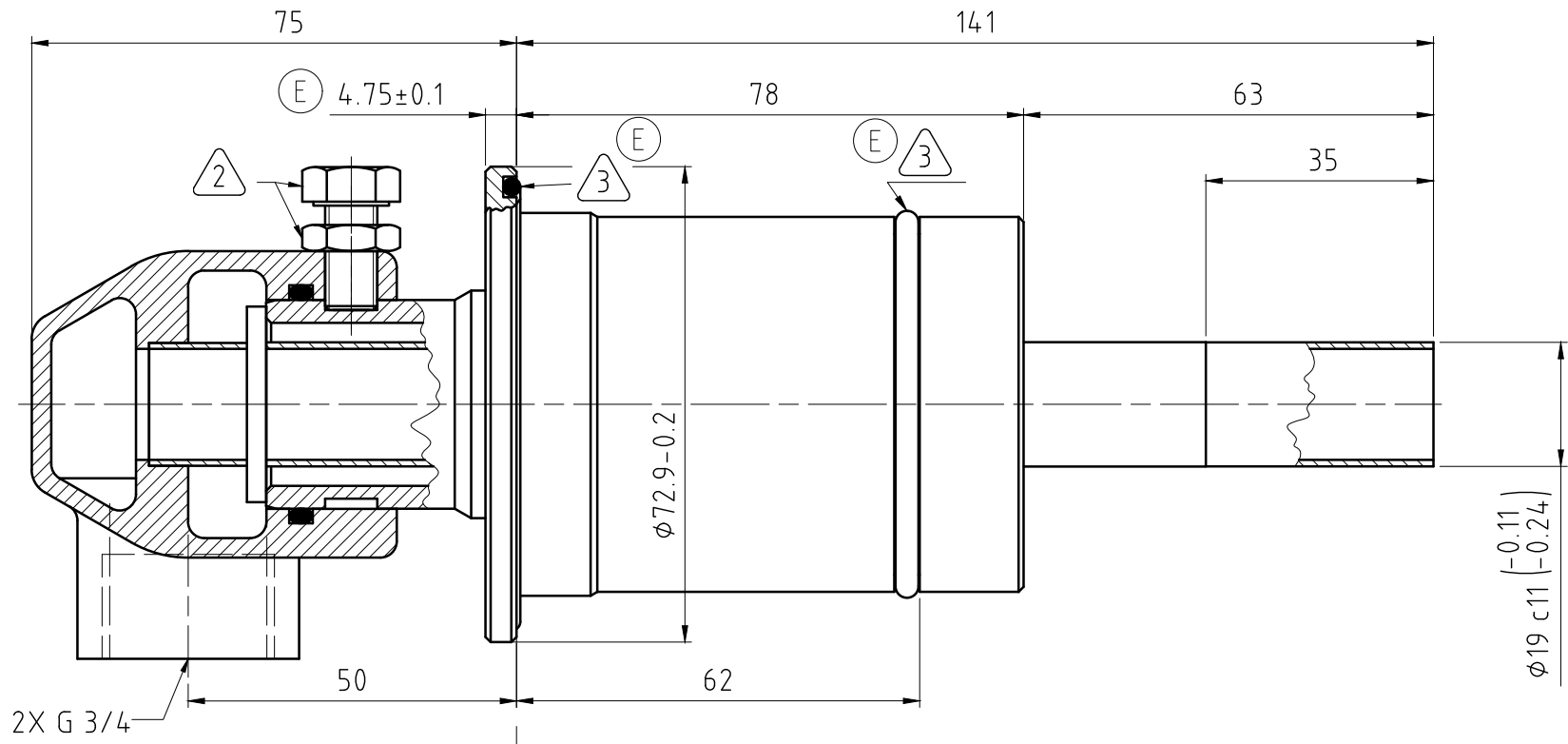


8 7 6 5 4 3 2 1

CONFIDENTIAL  
 THIS DOCUMENT CONTAINS CONFIDENTIAL AND PROPRIETARY INFORMATION OF DEUBLIN COMPANY. COPYING, USE, TRANSMISSION, DISTRIBUTION, AND DISCLOSURE ARE SUBJECT TO THE TERMS AND CONDITIONS CONTAINED IN YOUR AGREEMENT WITH DEUBLIN COMPANY. ALL RIGHTS RESERVED.

- NOTES:
- (A) 1 - CONTACT DEUBLIN OR VISIT WWW.DEUBLIN.COM FOR INSTRUCTION MANUAL: 040-564
  - (2) - TIGHTEN INDICATED BOLTS AND SECURE WITH LOCK NUT.
  - (3) - LUBRICATE INDICATED O-RINGS WITH SILICONE BASED GREASE.



OPERATING DATA	
MEDIA	WATER
PRESSURE MAX.	10 bar
SPEED MAX.	100 min <sup>-1</sup>
TEMPERATURE MAX.	120 °C
FLOW MAX.	53 l/min

		PROJECTION:	SCALE: 1:1	MATERIAL: INTERFACE CONTROL DRAWING				
		DATE: 07/12/05	NAME: RM	TITLE: DEUBLIN ROTATING UNION				
E	UPDATE IMS	040896	07.02.17	HS	DRN.	07/12/05	RM	DEUBLIN Drehdurchführung
D	WAS 2425-001-177-180-	10926	08/10	RM	ENGR.	07/12/05	SF	
C	REMOVED IMPERIAL DIMS	7585	08/06	MJ	APPD.			NO. 2425-001-177180
B	WAS φ58.75-0.25	EGR	05/06	RM				
A	WAS 52.9	6843	07/05	RM				SHEET A3
ISSUE	MODIFICATION	ECO	DATE	SIGN	UNLESS SPECIFICALLY TOLERANCED, ALL DIMENSIONS ARE CONSIDERED REFERENCE			

8 7 6 5