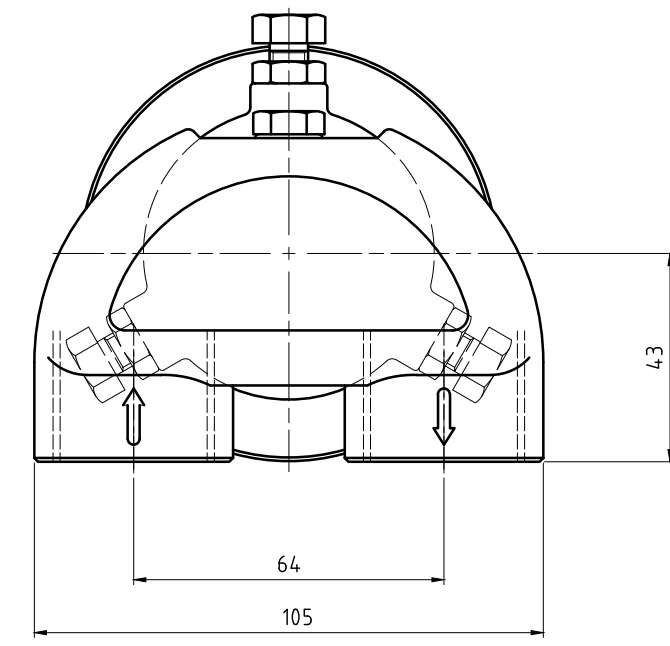
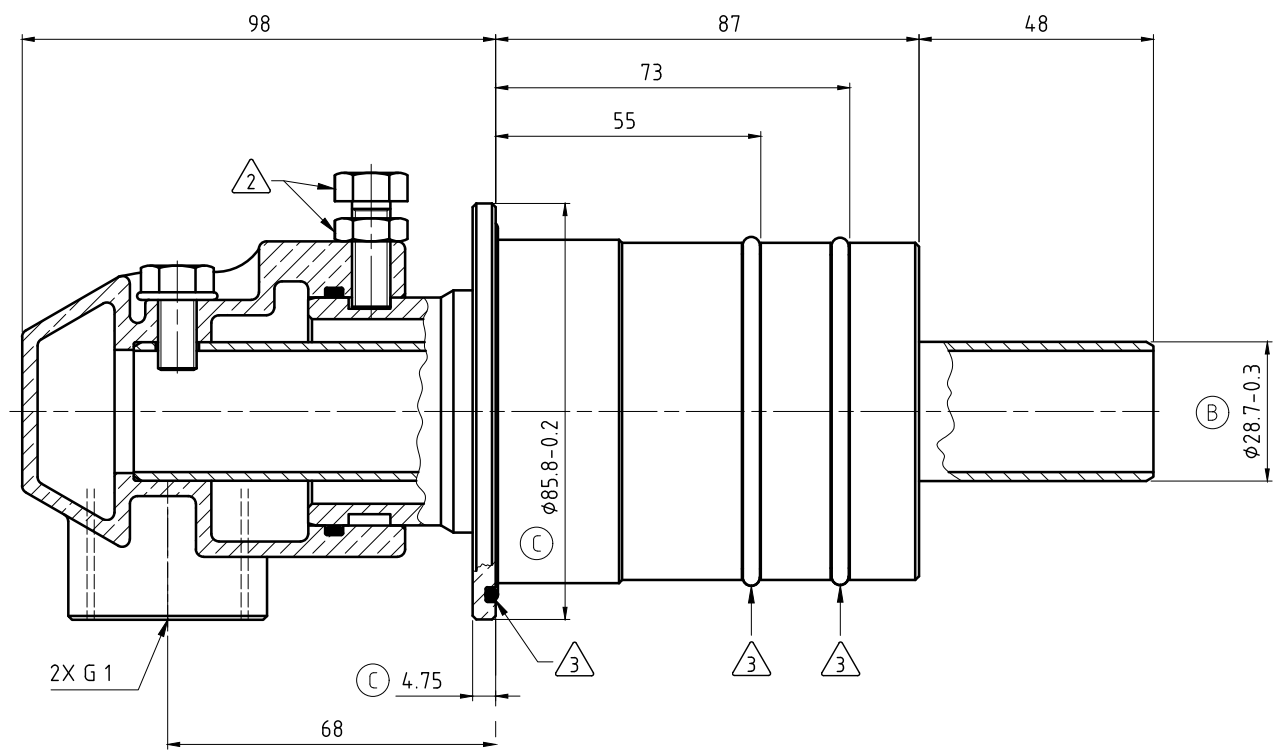


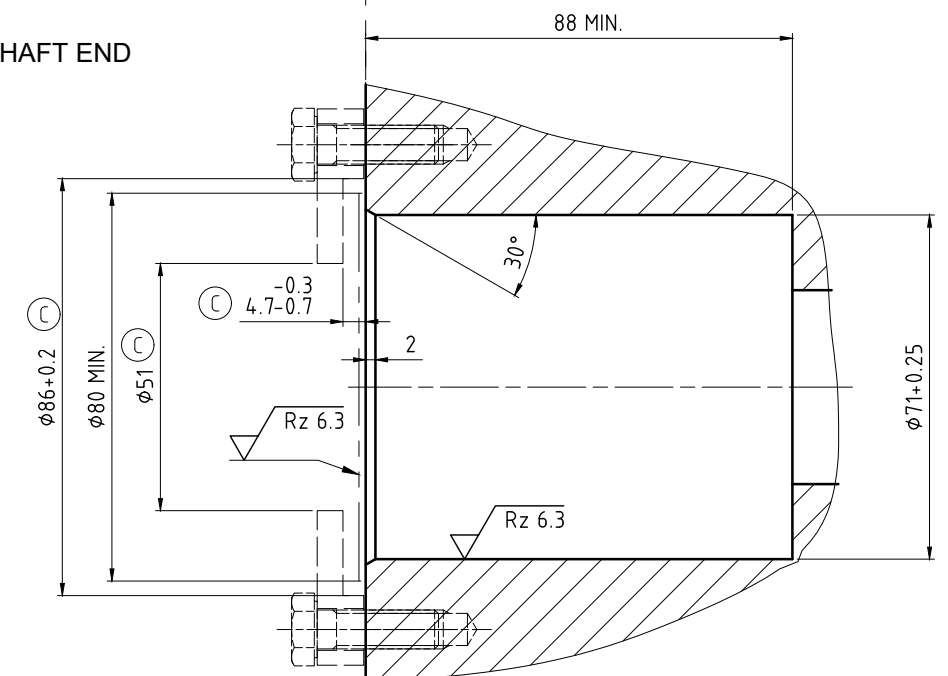
CONFIDENTIAL  
 THIS DOCUMENT CONTAINS CONFIDENTIAL AND PROPRIETARY  
 INFORMATION OF DEUBLIN COMPANY. COPYING, USE,  
 TRANSMISSION, DISTRIBUTION, AND DISCLOSURE ARE SUBJECT  
 TO THE TERMS AND CONDITIONS CONTAINED IN YOUR  
 AGREEMENT WITH DEUBLIN COMPANY. ALL RIGHTS RESERVED.

NOTES:

- ① - CONTACT DEUBLIN OR VISIT WWW.DEUBLIN.COM  
 FOR INSTRUCTION MANUAL: 040-564
- ② - TIGHTEN INDICATED BOLTS AND SECURE WITH LOCK NUT.
- ③ - LUBRICATE INDICATED O-RINGS WITH SILICONE BASED GREASE.



CUSTOMER'S SHAFT END



OPERATING DATA	
MEDIA	WATER
PRESSURE MAX.	10 bar
SPEED MAX.	100 min <sup>-1</sup>
TEMPERATURE MAX.	120 °C
FLOW MAX.	110 l/min

		PROJECTION:		SCALE: 1:1	MATERIAL: INTERFACE CONTROL DRAWING
		DATE	NAME	TITLE: DEUBLIN UNION	
		DRN. 09/14/05	RM		
		ENGR. 09/14/05	SF		
C	UPDATE MS	04/08/96	01/02/17	HS	APPD.
B	WAS-425	03/02/75	09/14	RA	
A	REV TOL		07/06	LG	
ISSUE	MODIFICATION	ECO	DATE	SIGN	
UNLESS SPECIFICALLY TOLERANCED, ALL DIMENSIONS ARE CONSIDERED REFERENCE					NO. 2440-001-306254
					SHEET A3