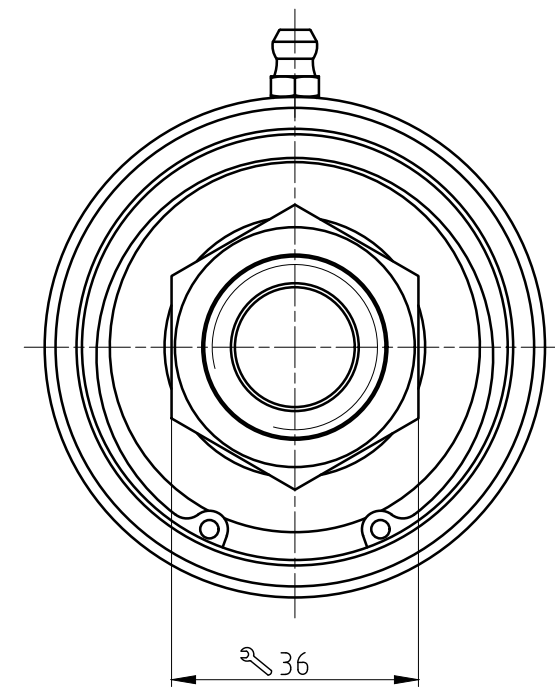
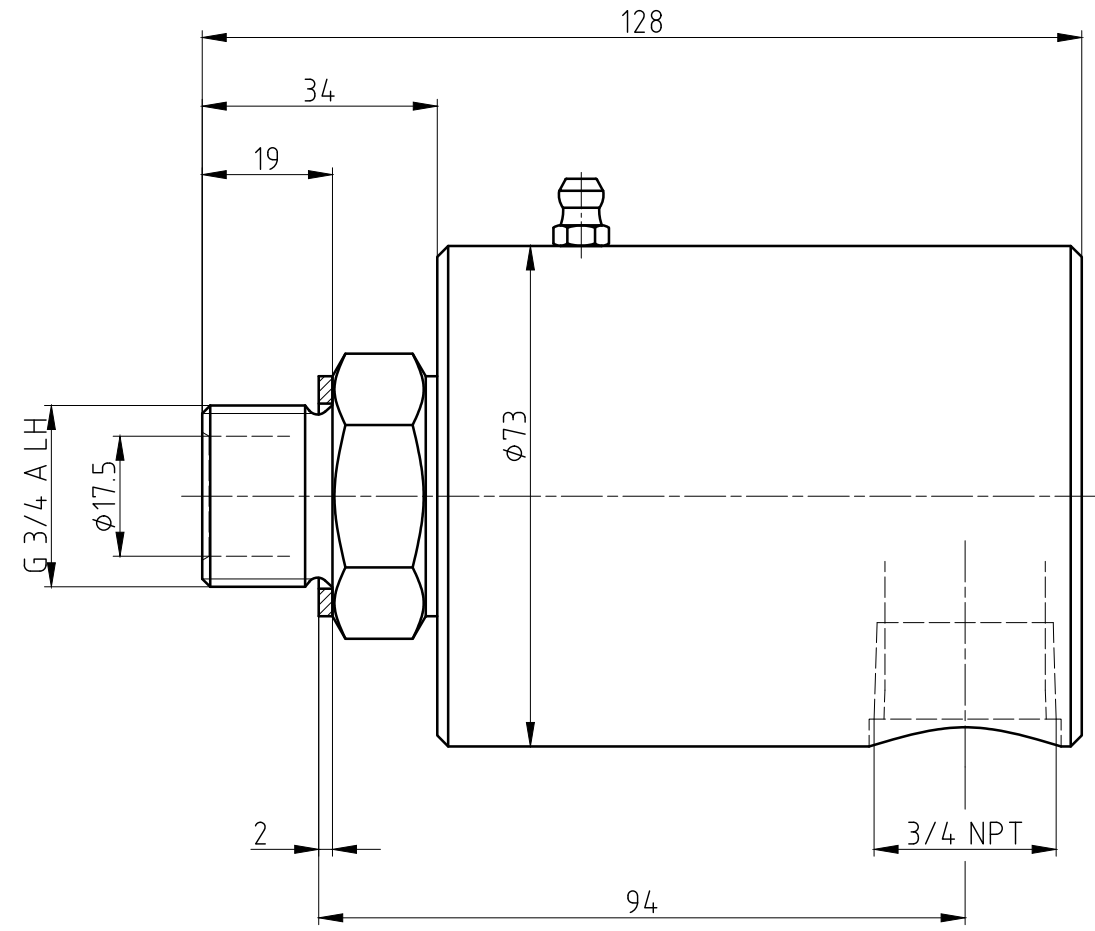


CONFIDENTIAL  
 THIS DOCUMENT CONTAINS CONFIDENTIAL AND PROPRIETARY  
 INFORMATION OF DEUBLIN COMPANY. COPYING, USE,  
 TRANSMISSION, DISTRIBUTION, AND DISCLOSURE ARE SUBJECT  
 TO THE TERMS AND CONDITIONS CONTAINED IN YOUR  
 AGREEMENT WITH DEUBLIN COMPANY. ALL RIGHTS RESERVED.

NOTES:

1 - CONTACT DEUBLIN OR VISIT WWW.DEUBLIN.COM  
 FOR INSTRUCTION MANUAL: 040-555.



OPERATING DATA			
MEDIA	HYDRAULIC OIL	VACUUM	AIR
PRESSURE MAX.	70 bar	6.7 kPa	10 bar
SPEED MAX.	3500 min <sup>-1</sup>		
TEMPERATURE MAX.	120 °C		

		PROJECTION:	SCALE: 1:1
			MATERIAL: INTERFACE CONTROL DRAWING
		DATE	NAME
		DRN. 09.09.2014	FD
		ENGR. 09.09.2014	CW
		APPD.	
		TITLE: DEUBLIN ROTATING UNION DEUBLIN Drehdurchführung	
		NO. 250-094-285	
		SHEET A3	
ISSUE	MODIFICATION	ECO	DATE
			SIGN

UNLESS SPECIFICALLY TOLERANCED, ALL DIMENSIONS ARE CONSIDERED REFERENCE