

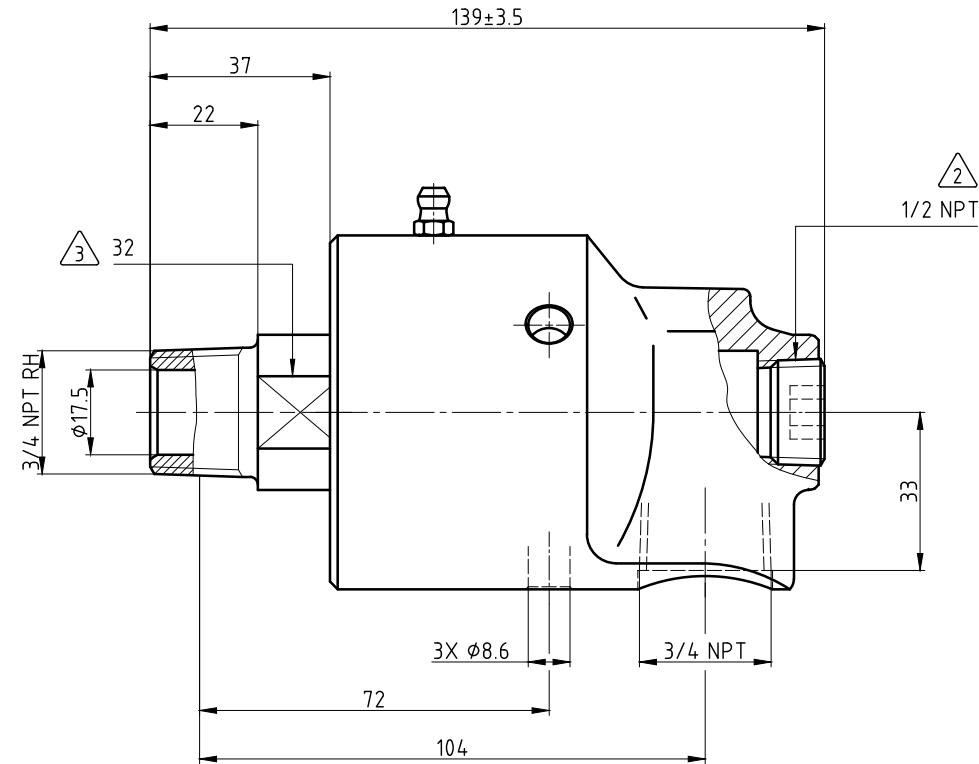
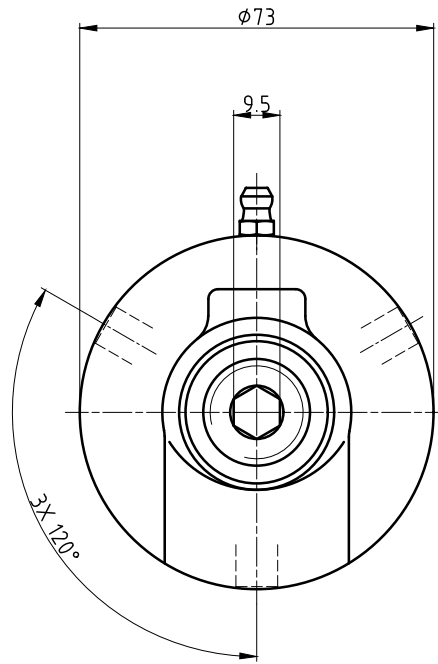
CONFIDENTIAL
 THIS DOCUMENT CONTAINS CONFIDENTIAL AND PROPRIETARY
 INFORMATION OF DEUBLIN COMPANY. COPYING, USE,
 TRANSMISSION, DISTRIBUTION, AND DISCLOSURE ARE SUBJECT
 TO THE TERMS AND CONDITIONS CONTAINED IN YOUR
 AGREEMENT WITH DEUBLIN COMPANY. ALL RIGHTS RESERVED.

NOTES:

1 - CONTACT DEUBLIN OR VISIT WWW.DEUBLIN.COM
 FOR INSTRUCTION MANUAL: 040-550

2 - PLUG INSTALLED HAND TIGHT FROM FACTORY. IF PORT IS NOT UTILIZED,
 TIGHTEN BEFORE USE.

3 - ACROSS FLATS.



OPERATING DATA	
MEDIA	WATER
PRESSURE MAX.	50 bar
SPEED MAX.	1500 min ⁻¹
TEMPERATURE MAX.	120 °C
DRY RUN (WITHOUT ANY MEDIA)	NO



SCALE: 1:1
 MATERIAL: INTERFACE CONTROL DRAWING

DATE	NAME
DRN. 15.08.2016	CW
ENGR. 15.08.2016	HS
APPD.	

TITLE: DEUBLIN ROTATING UNION
 DEUBLIN Drehdurchführung
 NO. 255-324-976

ISSUE MODIFICATION ECO DATE SIGN

UNLESS SPECIFICALLY TOLERANCED, ALL DIMENSIONS ARE CONSIDERED REFERENCE

SHEET
 A2