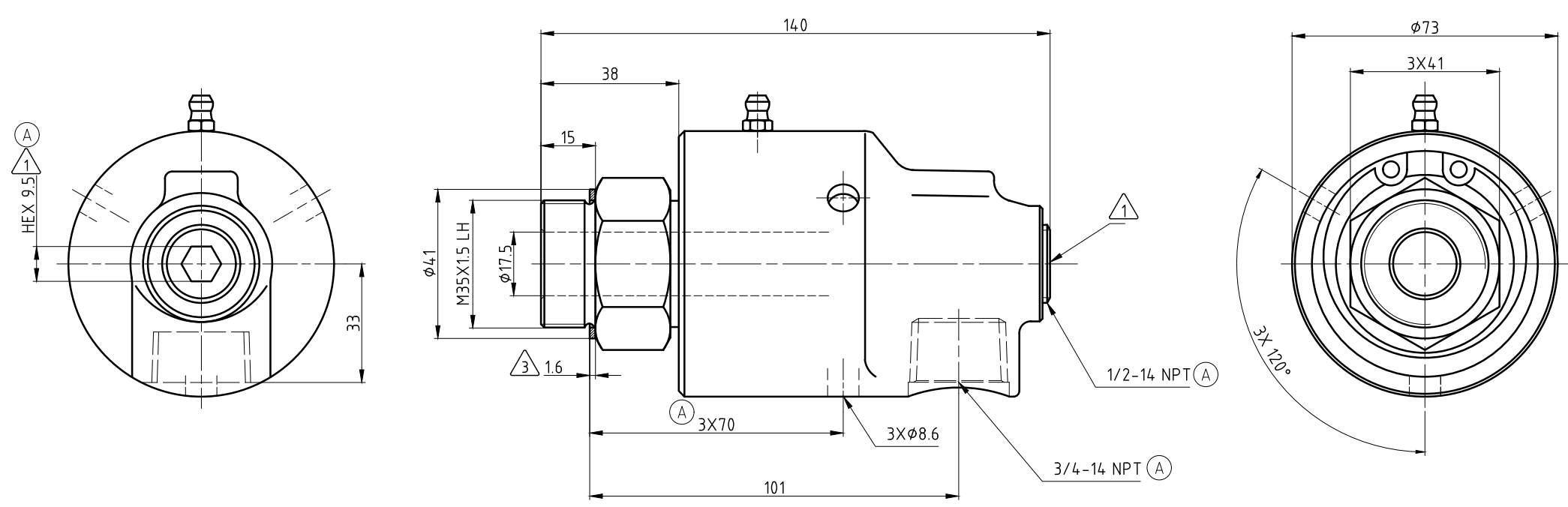
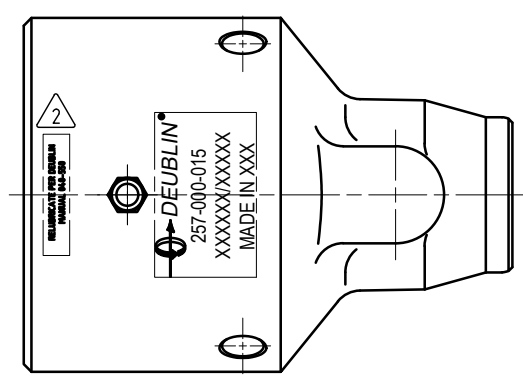


- NOTES:**
- ① - PLUG INSTALLED HAND TIGHT FROM FACTORY. IF PORT IS NOT UTILIZED, TIGHTEN BEFORE USE.
 - ② - CONTACT DEUBLIN OR VISIT WWW.DEUBLIN.COM FOR INSTRUCTION MANUAL: 040-550
 - ③ - GASKET THICKNESS.



OPERATING DATA			
MEDIA	WATER	SATURATED STEAM (INTERMITTENT)	THERMAL OIL
PRESSURE MAX.	50 bar	1 bar	6.6 bar
SPEED MAX.	3500 min ⁻¹		
TEMPERATURE MAX.	① 121 °C		
DRY RUN (WITHOUT ANY MEDIA)	NO		
① RECOMMENDED FILTRATION	60 micron		



		PROJECTION:	SCALE: 1:1
		DATE	MATERIAL: INTERFACE CUSTOMER DRAWING
		NAME	TITLE: DEUBLIN UNION
		DRN. 05/16/20	TG
		ENGR. 05/16/20	RMika
		APPD.	
		NO.	257-000-015
A	SEC 0	604.32	03/21
ISSUE	MODIFICATION	ECO	DATE
			BY
			SIGN
UNLESS SPECIFICALLY TOLERANCED, ALL DIMENSIONS ARE CONSIDERED REFERENCE			SHEET A2