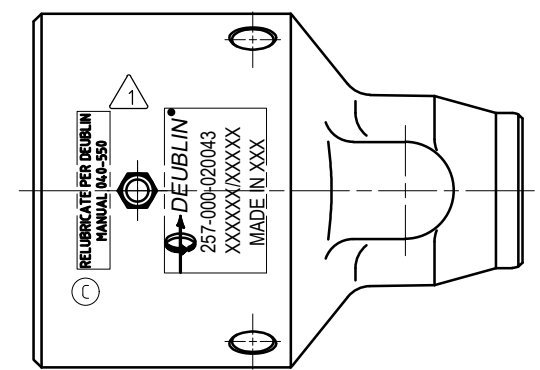
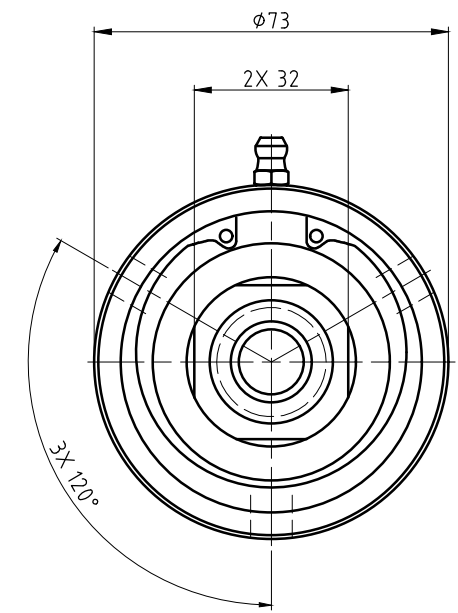
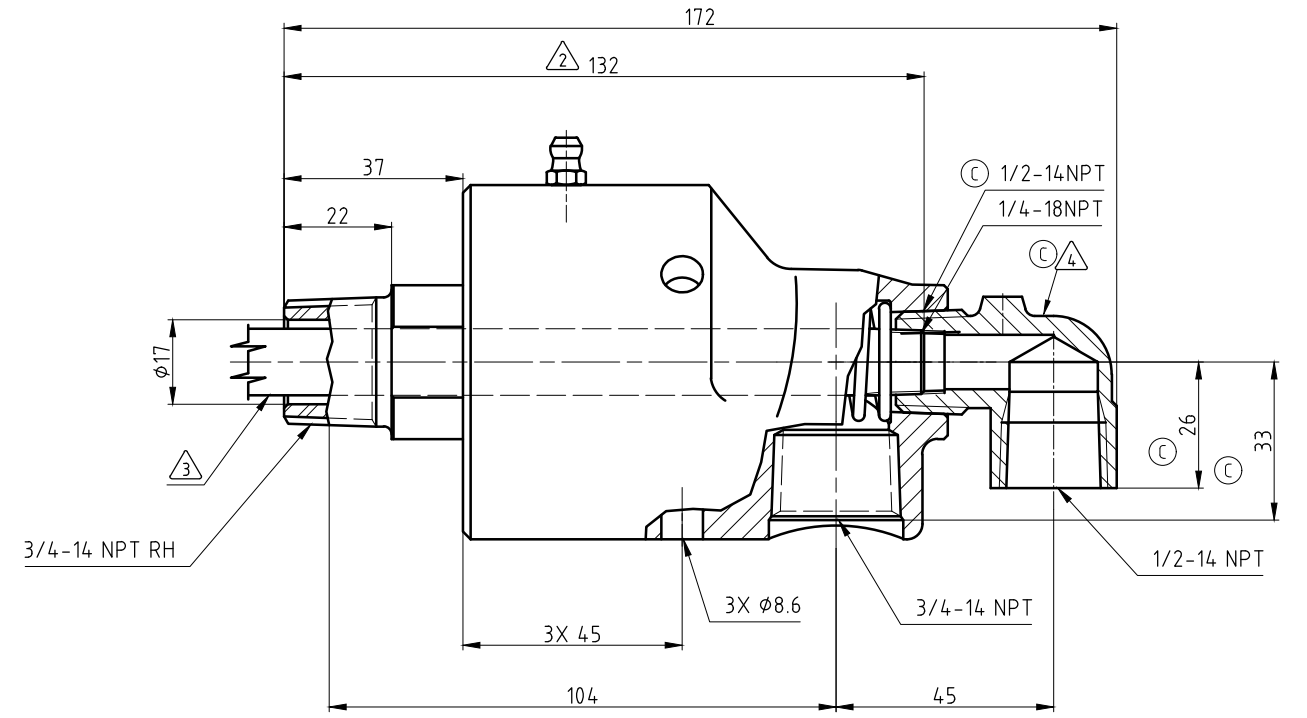
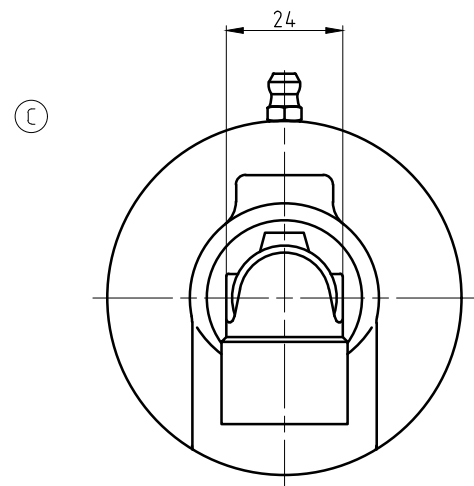


CONFIDENTIAL
 The reproduction, distribution and utilization of this document as well as the communication of its contents to others without express authorization is prohibited. Offenders will be held liable for the payment of damages. All rights reserved in the event of the grant of a patent, utility model or design.

NOTES:

- ① - CONTACT DEUBLIN OR VISIT WWW.DEUBLIN.COM
 FOR INSTRUCTION MANUAL: 040-550
- ② - PIPE LENGTH.
- ③ - PIPE SUPPLIED BY CUSTOMER. PIPE SIZE: 1/4" PIPE (C)
- ④ - FITTING TO BE ASSEMBLED HAND-TIGHT, OR MAY BE SHIPPED UNASSEMBLED. (C)



OPERATING DATA (C)			
MEDIA	WATER	SATURATED STEAM (INTERMITTENT)	THERMAL OIL
PRESSURE MAX.	50 bar	1 bar	6.6 bar
SPEED MAX.	1500 min ⁻¹		
TEMPERATURE MAX.	121 °C		
DRY RUN (WITHOUT ANY MEDIA)	NO		
RECOMMENDED FILTRATION	60 micron		



PROJECTION:	SCALE: 1:1	TITLE: DEUBLIN UNION
	MATERIAL: INTERFACE CONTROL DRAWING	
DRN. 06/13/12 RM	DATE	NO. 257-000-020043
ENGR. 06/13/12 SS	NAME	
APPD.		SHEET A2
C SEE CD 058093 11/20 DY		
B SEE CD 054634 03/05 TG		
ISSUE/MODIFICATION	ECO DATE SIGN	UNLESS SPECIFICALLY TOLERANCED, ALL DIMENSIONS ARE CONSIDERED REFERENCE