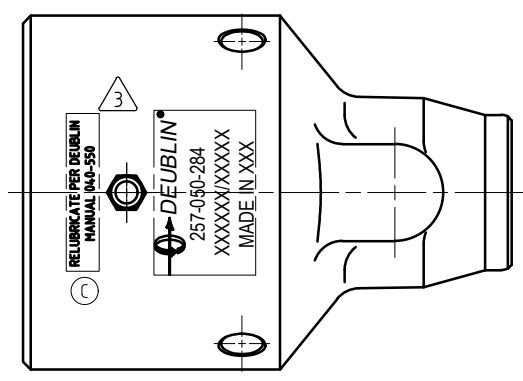
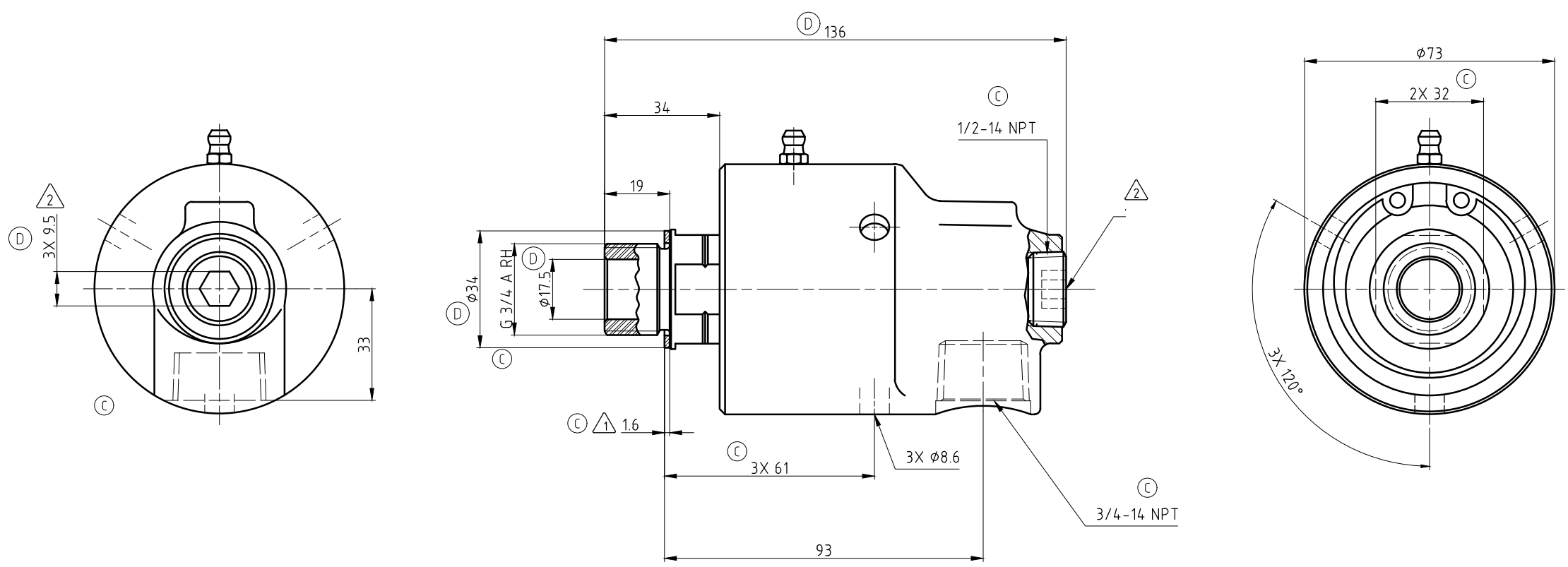


CONFIDENTIAL
 The reproduction, distribution and utilization of this document as well as the communication of its contents to others without express authorization is prohibited. Offenders will be held liable for the payment of damages. All rights reserved in the event of the grant of a patent, utility model or design.

NOTES:

- ① - GASKET THICKNESS.
- ② - PLUG INSTALLED HAND TIGHT FROM FACTORY. IF PORT IS NOT UTILIZED, TIGHTEN BEFORE USE.
- ③ - CONTACT DEUBLIN OR VISIT WWW.DEUBLIN.COM FOR INSTRUCTION MANUAL: 040-550



OPERATING DATA		
MEDIA	WATER	THERMAL OIL
PRESSURE MAX.	50 bar	6.6 bar
SPEED MAX.	3500 min ⁻¹	
TEMPERATURE MAX.	93 °C	
DRY RUN (WITHOUT ANY MEDIA)	NO	
RECOMMENDED FILTRATION	60 micron	

		PROJECTION:	SCALE: 1:1			
		DATE	MATERIAL: INTERFACE CONTROL DRAWING			
		NAME	TITLE: DEUBLIN UNION			
		DRN. 07/18/03 RM	NO. 257-050-284			
		ENGR. 07/18/03 ARS				
D	SEE ECD	60372	03/21	MSk	UNLESS SPECIFICALLY TOLERANCED, ALL DIMENSIONS ARE CONSIDERED REFERENCE	SHEET A2
C	SEE ECD	058093	11/20	DY		
B	SEE ECD	054634	03/06	TG		
	ISSUE/MODIFICATION	ECO	DATE	SIGN		