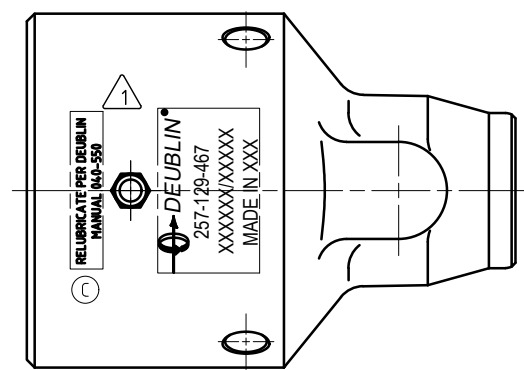
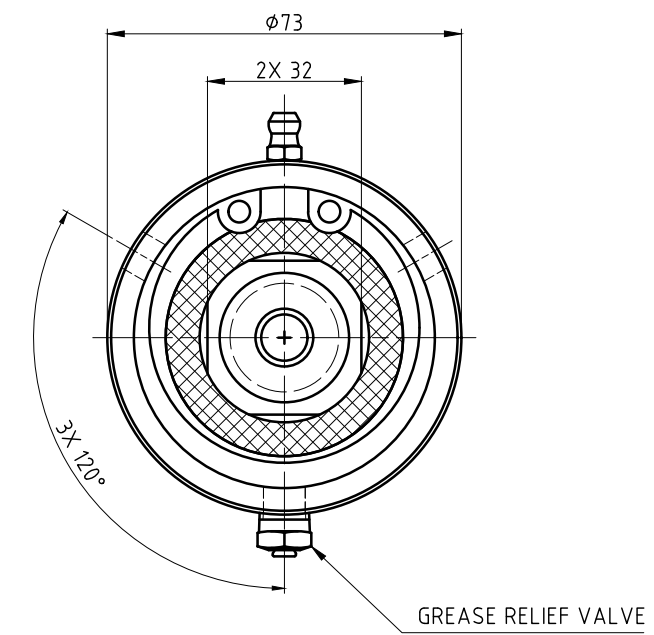
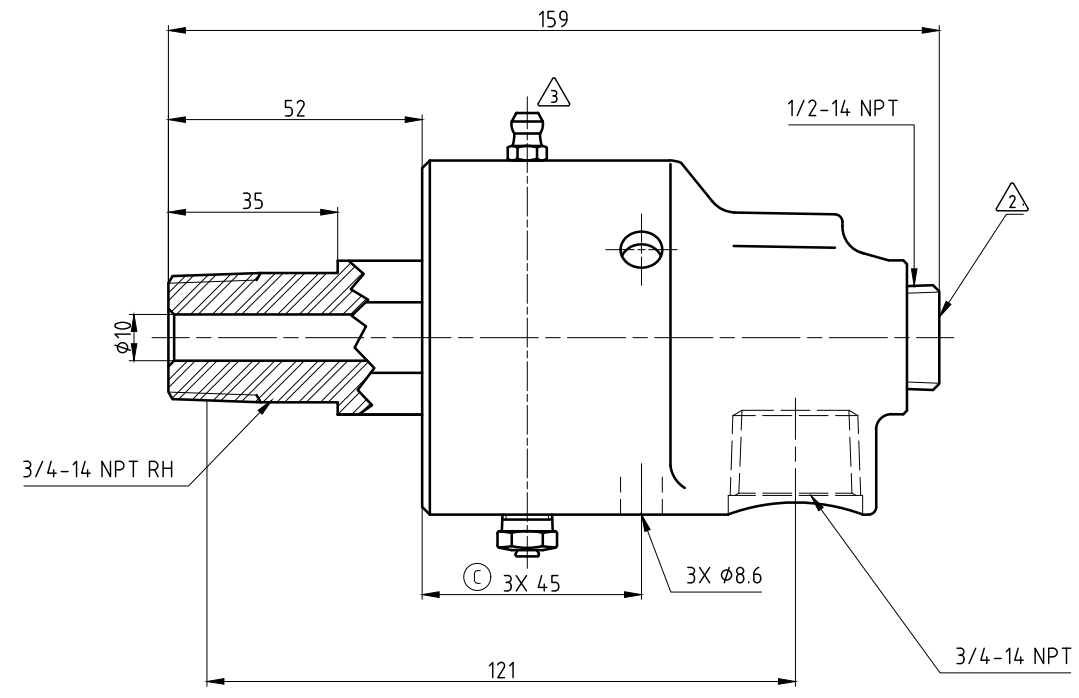
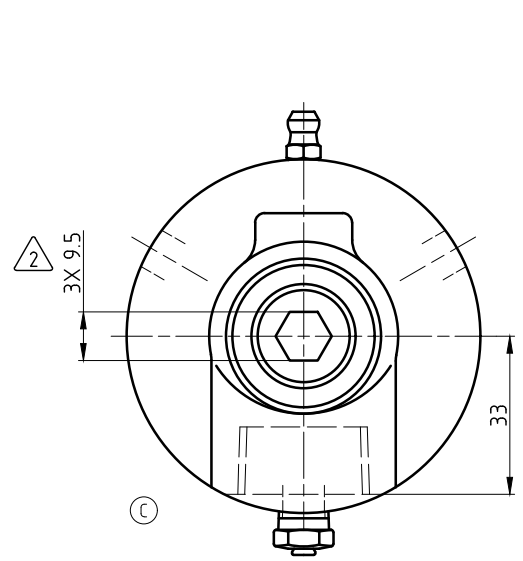


CONFIDENTIAL
 The reproduction, distribution and utilization of this document as well as the communication of its contents to others without express authorization is prohibited. Offenders will be held liable for the payment of damages. All rights reserved in the event of the grant of a patent, utility model or design.

NOTES:

- ① - CONTACT DEUBLIN OR VISIT WWW.DEUBLIN.COM
 FOR INSTRUCTION MANUAL: 040-550
- ② - PLUG INSTALLED HAND TIGHT FROM FACTORY. IF PORT IS NOT UTILIZED, TIGHTEN BEFORE USE.
- ③ - RELUBRICATE WITH: DOW 33 GREASE.



OPERATING DATA ③		
MEDIA	WATER	THERMAL OIL
PRESSURE MAX.	50 bar	6.6 bar
SPEED MAX.	1500 min ⁻¹	
TEMPERATURE MAX.	93 °C	
DRY RUN (WITHOUT ANY MEDIA)	NO	
RECOMMENDED FILTRATION	60 micron	

		PROJECTION:	SCALE: 1:1				
			MATERIAL: INTERFACE CUSTOMER DRAWING				
		DATE: 11/10/03	TITLE: DEUBLIN UNION				
		NAME: RM					
		ENGR: 11/10/03					
		TW					
		APPD.					
C	SEE E0	058093	11/20	DY	UNLESS SPECIFICALLY TOLERANCED, ALL DIMENSIONS ARE CONSIDERED REFERENCE	NO. 257-129-467	SHEET A2
B	SEE E0	054634	03/06	TG			
ISSUE/MODIFICATION		ECO	DATE	SIGN			