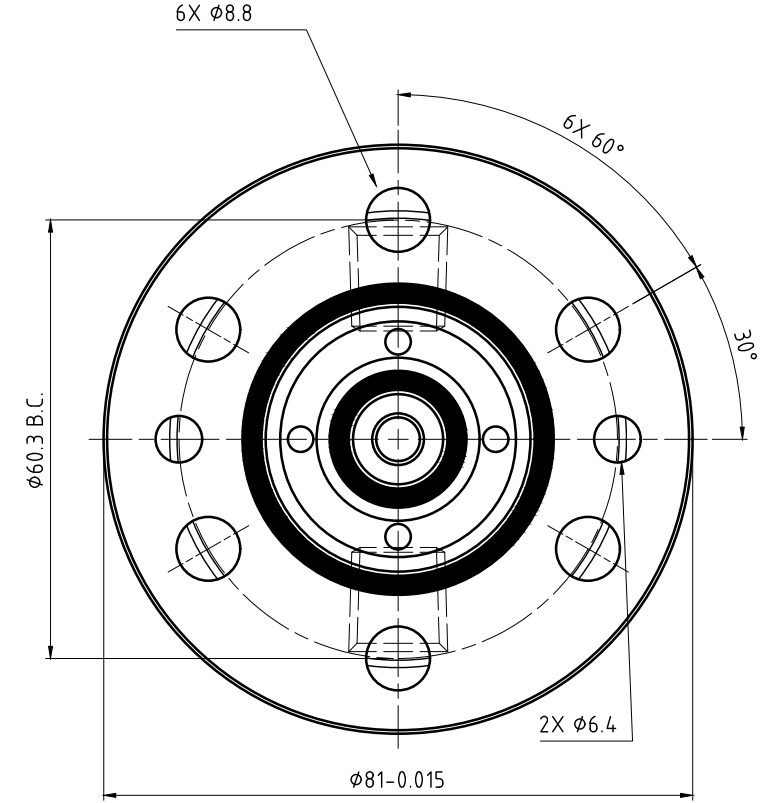
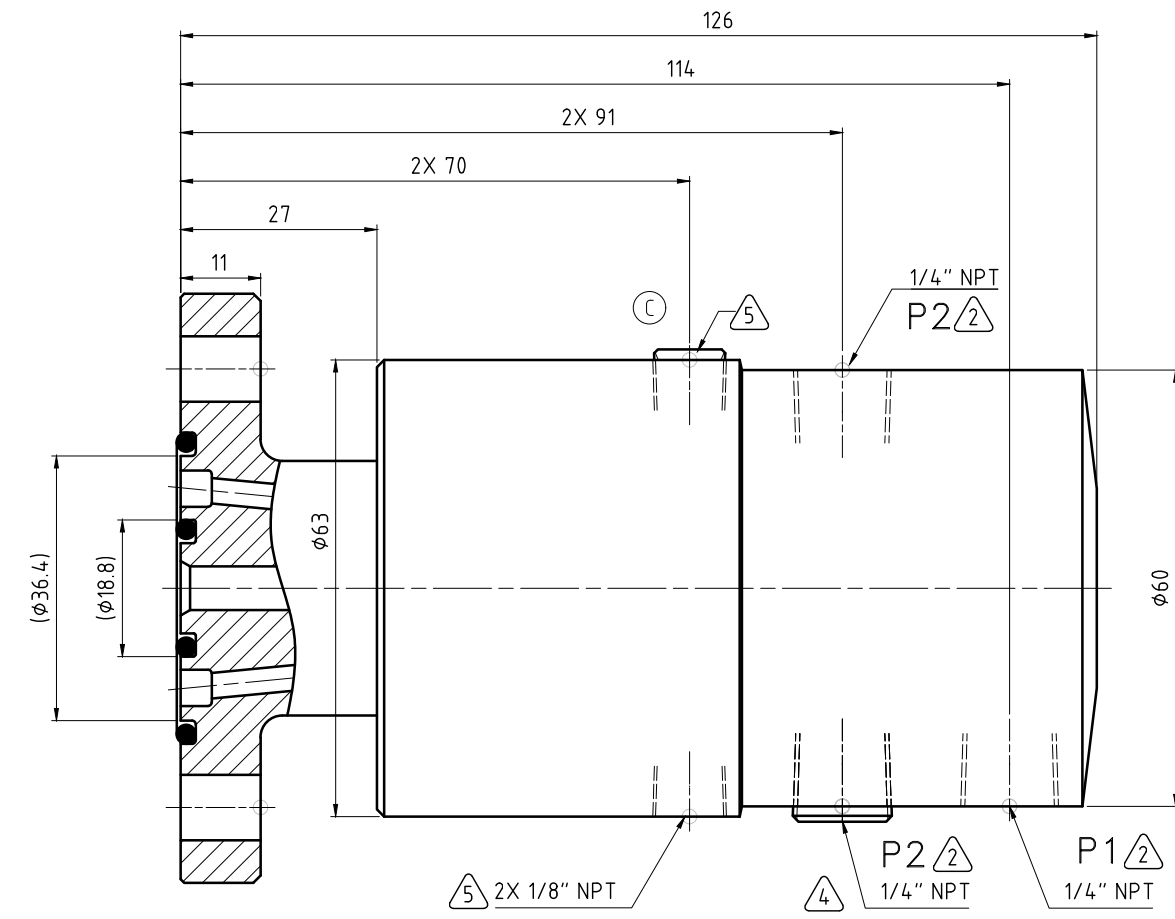


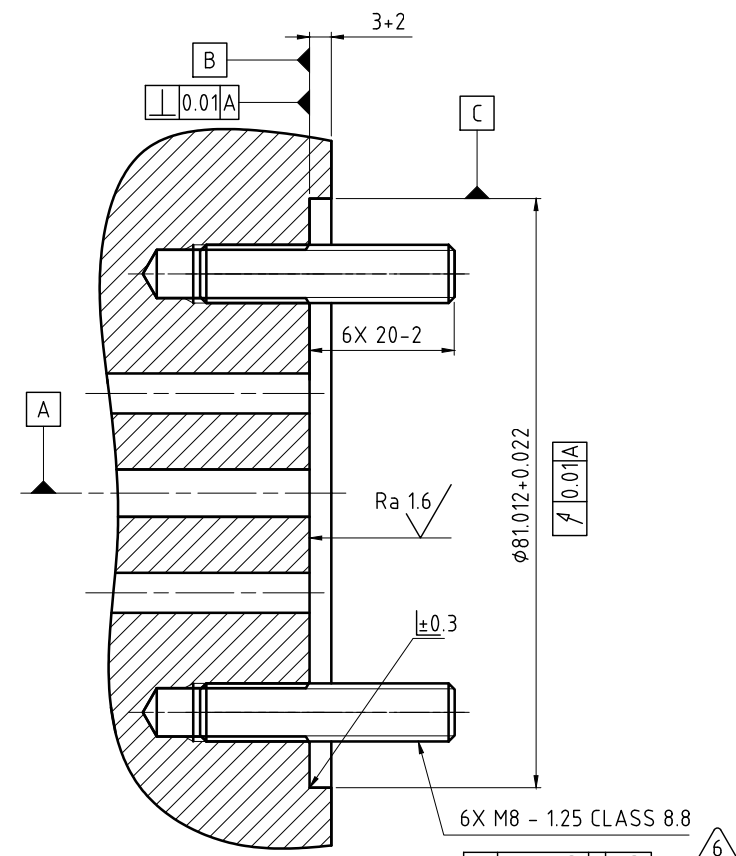
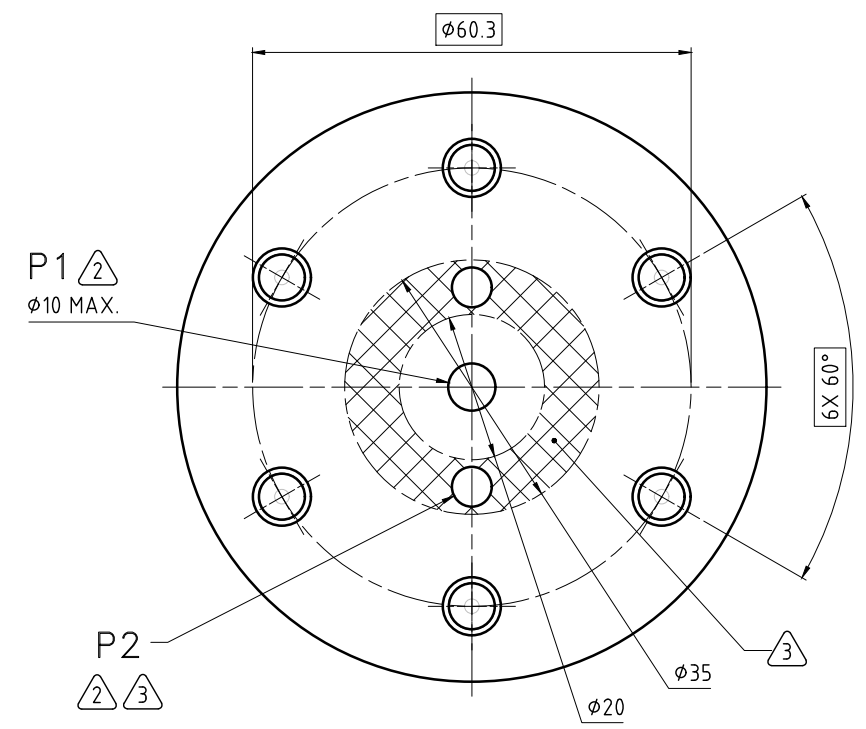
CONFIDENTIAL
 THIS DOCUMENT CONTAINS CONFIDENTIAL AND PROPRIETARY INFORMATION OF DEUBLIN COMPANY. COPYING, USE, TRANSMISSION, DISTRIBUTION, AND DISCLOSURE ARE SUBJECT TO THE TERMS AND CONDITIONS CONTAINED IN YOUR AGREEMENT WITH DEUBLIN COMPANY. ALL RIGHTS RESERVED.

NOTES:

- 1 - WHEN ORDERING FROM DEUBLIN USE PART NUMBER: 2620-000-157.
- ② - SEE OPERATING DATA CHART FOR P1 AND P2 PASSAGE MEDIA.
- ③ - P2 PASSAGES TO BE WITHIN AREA INDICATED AND SHOULD BE SYMMETRICAL. 2X $\phi 4$ MIN. RECOMMENDED.
- ④ - ALTERNATE P2 PASSAGE (PLUGGED).
- ⑤ - DRAIN PORTS (QTY. 2)
- ⑥ - TIGHTEN MOUNTING NUTS USING A CROSS PATTERN TIGHTENING SEQUENCE TO 30 ± 5 N-m.



CUSTOMER INTERFACE



OPERATING DATA			
PASSAGE		P1 - INNER	P2 - OUTER
MEDIA		HYDRAULIC OIL	HYDRAULIC OIL
PRESSURE	MAXIMUM	100 bar	30 bar
	MINIMUM	-	-
FLOW RATE	MAXIMUM	69 L/min	69 L/min
	MINIMUM	-	-
TEMPERATURE	MAXIMUM	71 °C	71 °C
	MINIMUM	5 °C	5 °C
MAXIMUM SPEED		7000/min	
DRY RUN		NO	

DEUBLIN COMPANY
 WAUKEGAN, ILLINOIS, U.S.A.

PROJECTION:

SCALE: 1.5:1
 MATERIAL:

ISSUE	MODIFICATION	ECO	DATE	SIGN	DATE	NAME
C	ADD DRAIN PLUG	8122	10/07	LG		
B	REV. & REDRAWN	8121	10/07	LG		

TITLE: DEUBLIN UNION 2-PASSAGE
 HYDRAULIC OIL INNER AND OUTER

NO. 2620-000-157-IC

SHEET
 A2

UNLESS SPECIFICALLY TOLERANCED, ALL DIMENSIONS ARE CONSIDERED REFERENCE