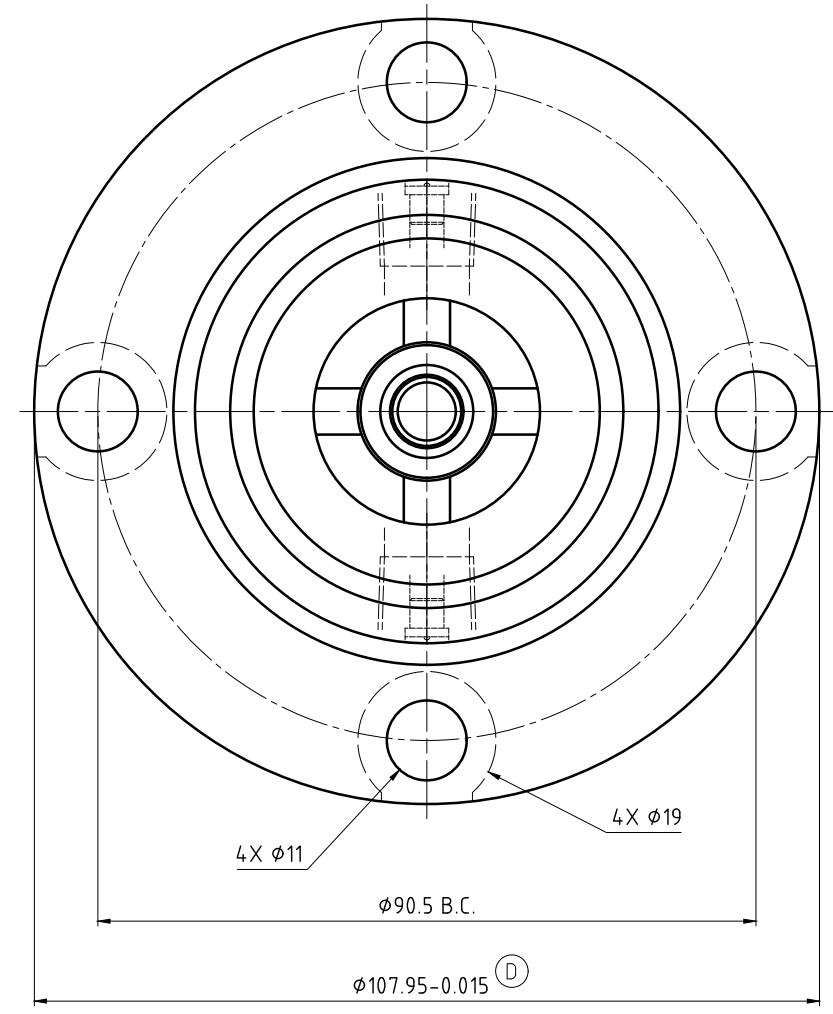
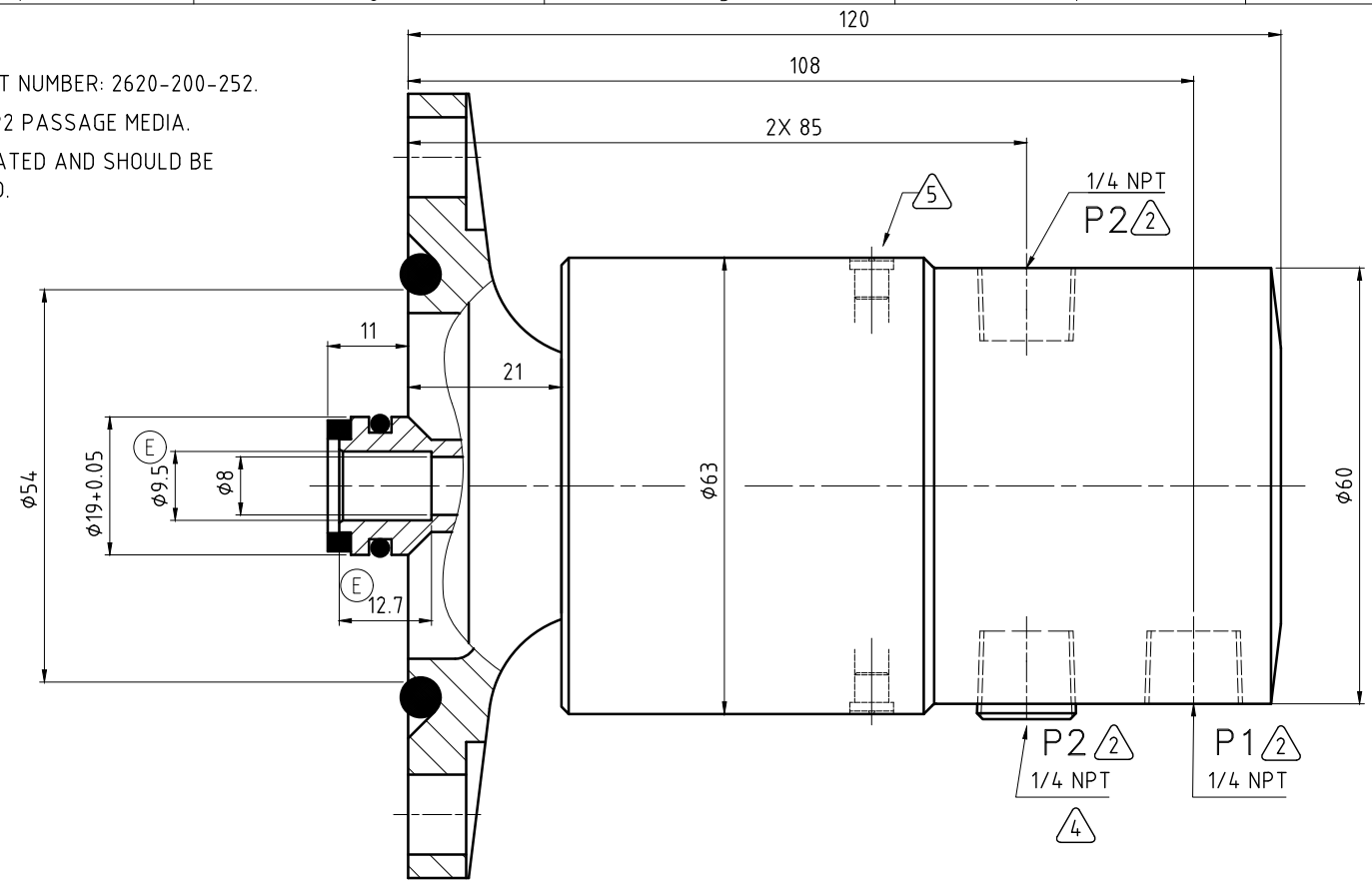


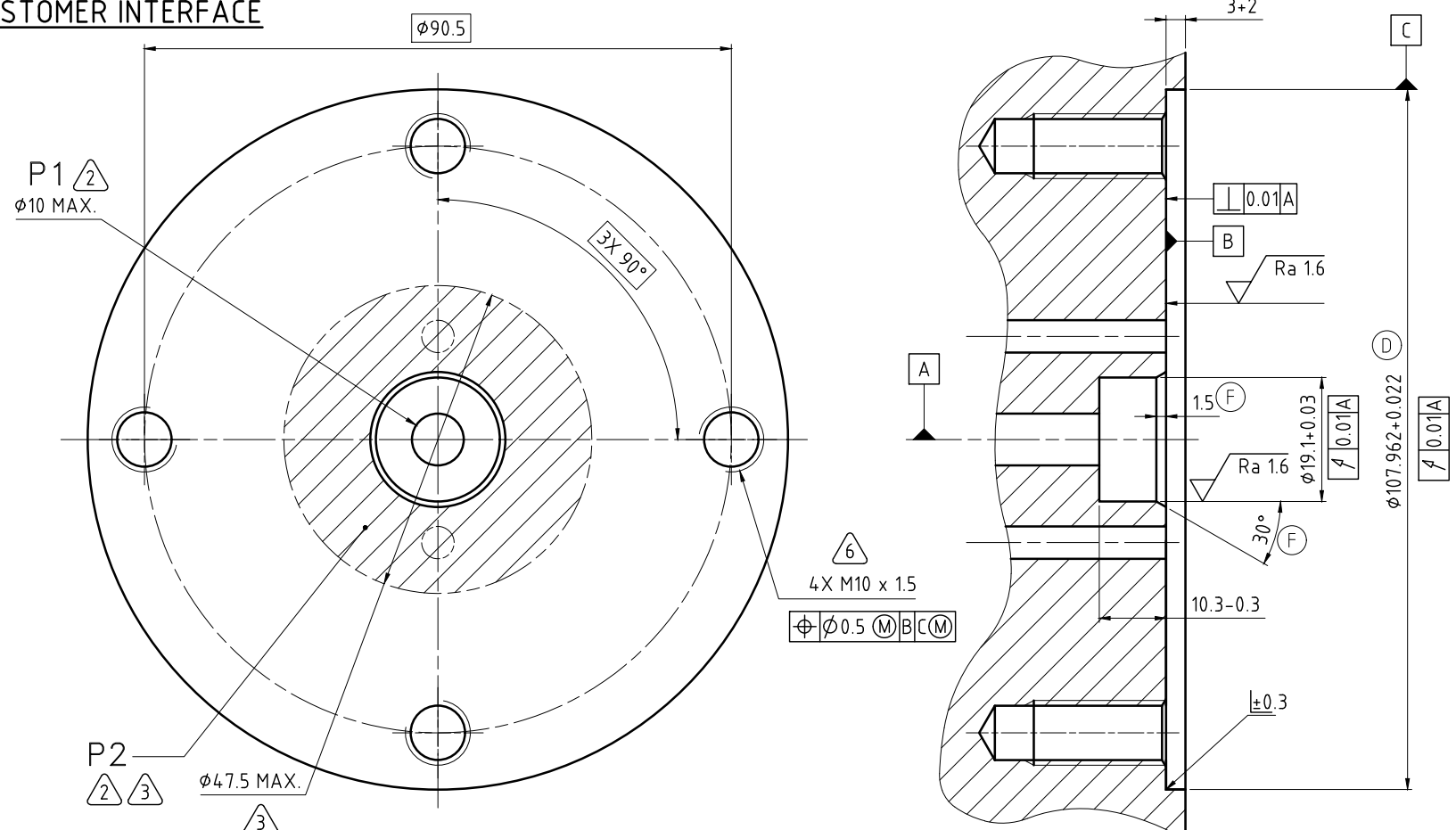
CONFIDENTIAL
 THIS DOCUMENT CONTAINS CONFIDENTIAL AND PROPRIETARY INFORMATION OF DEUBLIN COMPANY. COPYING, USE, TRANSMISSION, DISTRIBUTION, AND DISCLOSURE ARE SUBJECT TO THE TERMS AND CONDITIONS CONTAINED IN YOUR AGREEMENT WITH DEUBLIN COMPANY. ALL RIGHTS RESERVED.

NOTES:

- 1 - WHEN ORDERING FROM DEUBLIN USE PART NUMBER: 2620-200-252.
- 2 - SEE OPERATING DATA CHART FOR P1 & P2 PASSAGE MEDIA.
- 3 - P2 PASSAGES TO BE WITHIN AREA INDICATED AND SHOULD BE SYMMETRICAL. 2X $\phi 4$ MIN. RECOMMENDED.
- 4 - ALTERNATE P2 PASSAGE (PLUGGED).
- 5 - 2X AIR SEAL OILER.
- 6 - TIGHTEN MOUNTING BOLTS TO 40 ± 5 Nm, USING A CROSS PATTERN TIGHTENING SEQUENCE.



CUSTOMER INTERFACE



OPERATING DATA

PASSAGE MEDIA		P1 INNER	P2 OUTER
		COOLANT	AIR
PRESSURE	MAXIMUM	70 bar	6 bar
	MINIMUM	-	-
FLOW RATE	MAXIMUM	69 L/min	35 NL/sec
	MINIMUM	-	-
TEMPERATURE	MAXIMUM	71 °C	71 °C
	MINIMUM	5 °C	5 °C
MAXIMUM SPEED		7000 min ⁻¹	
DRY RUN		NO	

DEUBLIN COMPANY WAUKEGAN, ILLINOIS, U.S.A.		PROJECTION: 	SCALE: 1.5:1 MATERIAL: INTERFACE CONTROL DRAWING
DATE: 10/09/07 NAME: LG		TITLE: DEUBLIN UNION 2-PASSAGE COOLANT INNER / AIR OUTER	
NO. 2620-200-252		SHEET A2	