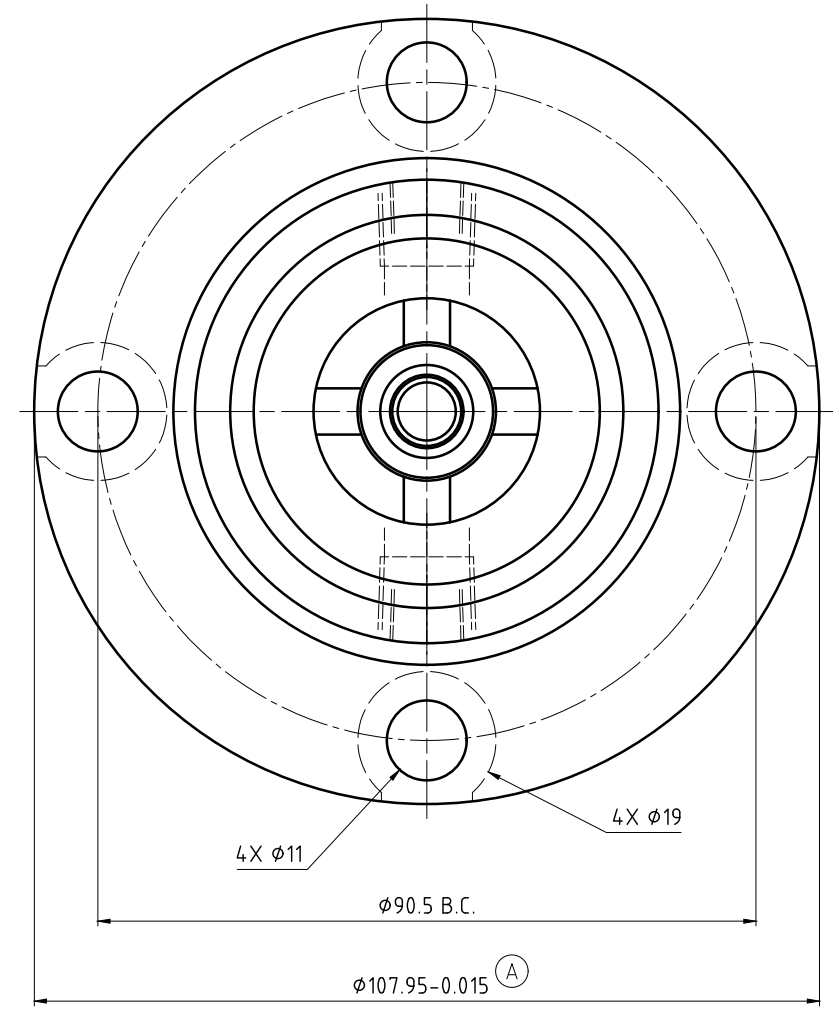
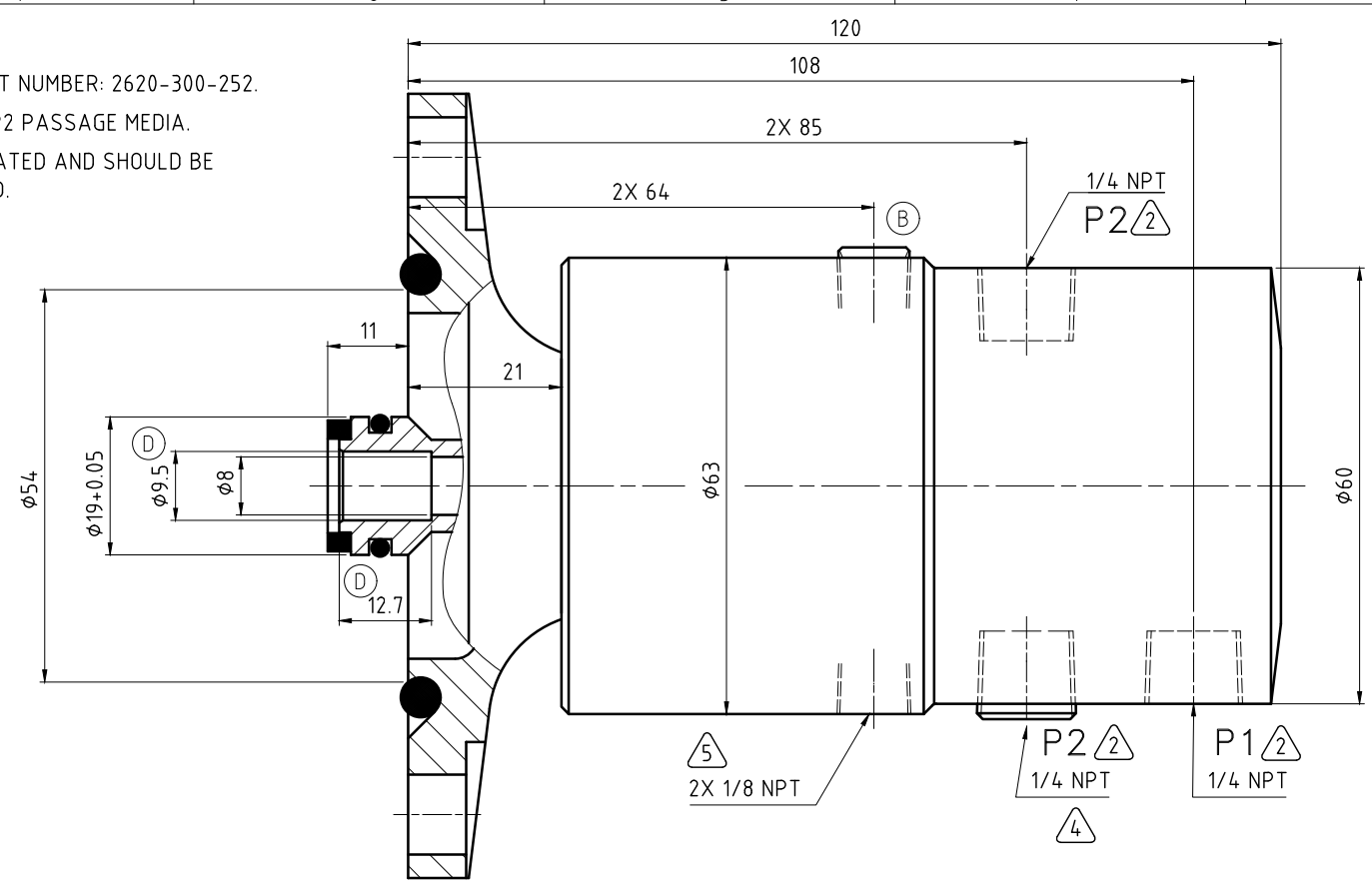


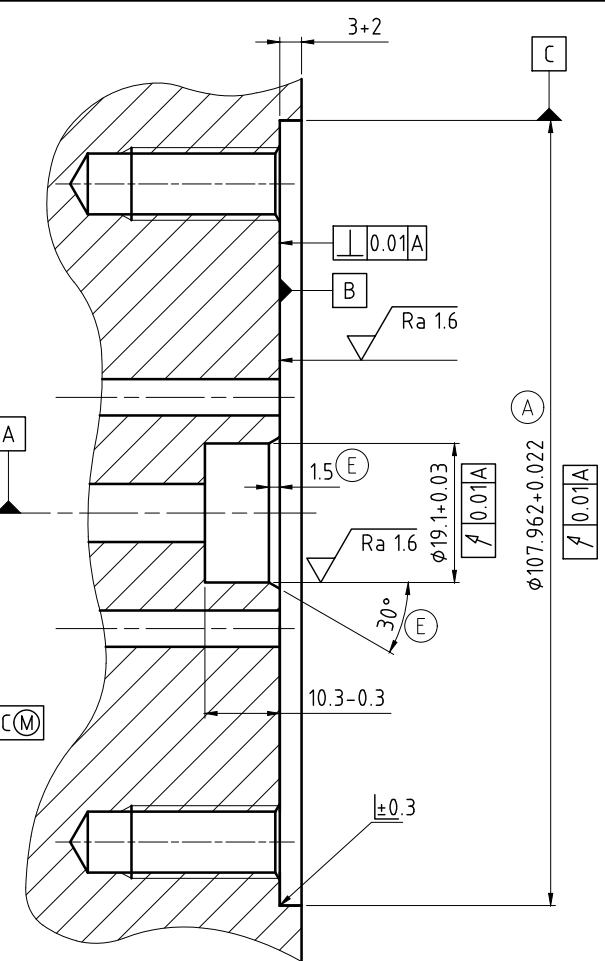
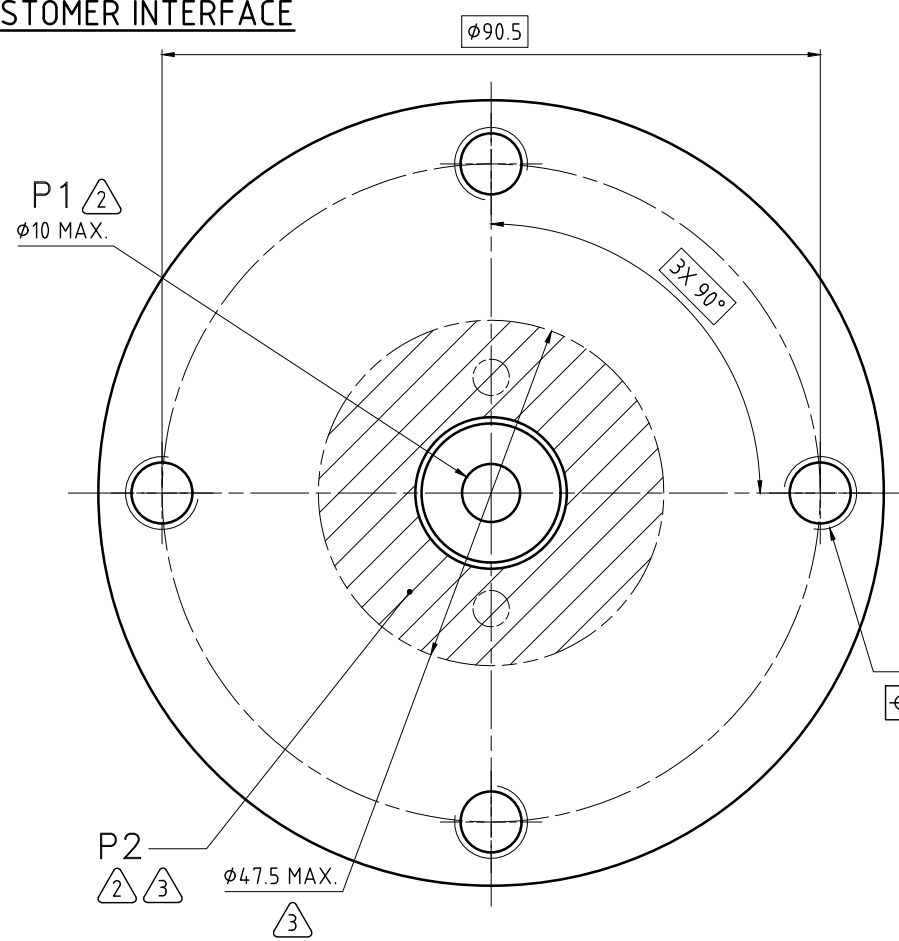
CONFIDENTIAL
 THIS DOCUMENT CONTAINS CONFIDENTIAL AND PROPRIETARY INFORMATION OF DEUBLIN COMPANY. COPYING, USE, TRANSMISSION, DISTRIBUTION, AND DISCLOSURE ARE SUBJECT TO THE TERMS AND CONDITIONS CONTAINED IN YOUR AGREEMENT WITH DEUBLIN COMPANY. ALL RIGHTS RESERVED.

NOTES:

- 1 - WHEN ORDERING FROM DEUBLIN USE PART NUMBER: 2620-300-252.
- 2 - SEE OPERATING DATA CHART FOR P1 & P2 PASSAGE MEDIA.
- 3 - P2 PASSAGES TO BE WITHIN AREA INDICATED AND SHOULD BE SYMMETRICAL. 2X $\phi 4$ MIN. RECOMMENDED.
- 4 - ALTERNATIVE P2 PORT (PLUGGED).
- 5 - DRAIN PORT.
- 6 - TIGHTEN MOUNTING BOLTS TO 40 ± 5 Nm, USING A CROSS PATTERN TIGHTENING SEQUENCE.



CUSTOMER INTERFACE



OPERATING DATA			
PASSAGE MEDIA		P1 INNER	P2 OUTER
PRESSURE	MAXIMUM	6 bar	40 bar
	MINIMUM	-	-
FLOW RATE	MAXIMUM	35 NL/sec	69 L/min
	MINIMUM	-	-
TEMPERATURE	MAXIMUM	71 °C	71 °C
	MINIMUM	5 °C	5 °C
MAXIMUM SPEED		7000 min ⁻¹	
DRY RUN		NO	

DEUBLIN COMPANY
 WAUKEGAN, ILLINOIS, U.S.A.



SCALE: 1:1
 MATERIAL: INTERFACE CONTROL DRAWING

ISSUE	MODIFICATION	ECO	DATE	SIGN	DATE	NAME	LG
E	CHAMFER 15+30° ADDED	42096	05/17	FD	DRN.	10/09/07	LG
D	#9.127 ADDED	001800	05/08	FD	ENGR.		
C	CORRECTED LIMITS	8735	11/07	JK	APPD.		
B	ADD DRAIN PLUG	8122	10/07	LG			
A	REV. & REDRAWN	8121	10/07	LG			

TITLE: DEUBLIN UNION 2-PASSAGE
 AIR INNER / HYDRAULIC OIL OUTER
 NO. 2620-300-252

SHEET
 A2