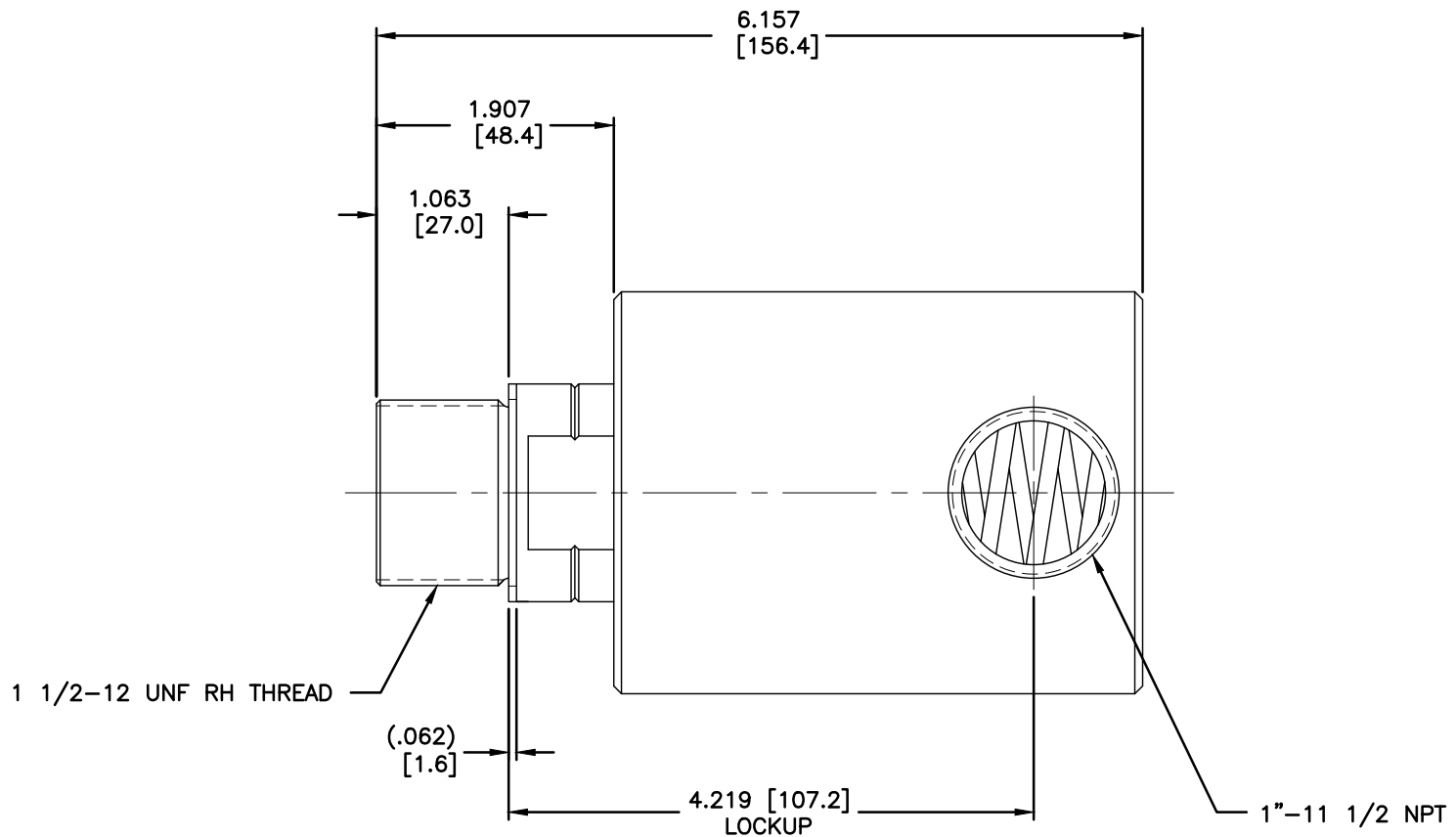
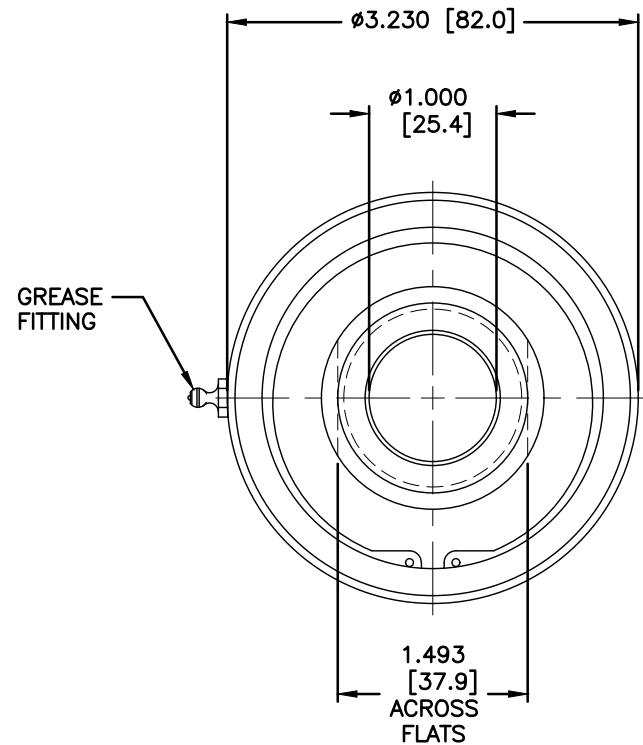


NOTES:

1 - WHEN ORDERING FROM DEUBLIN USE PART NUMBER: 355-021-019



CONFIDENTIAL  
THIS DOCUMENT CONTAINS PROPRIETARY INFORMATION AND IS NOT TO BE TRANSMITTED, REPRODUCED, USED OR DISCLOSED TO ANYONE WITHOUT THE WRITTEN PERMISSION OF THE DEUBLIN COMPANY.

**DEUBLIN COMPANY**  
WAUKEGAN, ILLINOIS, U.S.A.

TITLE: INTERFACE CONTROL  
DRAWING FOR UNION  
355-021-019

NO. 355-021-019-IC C.A.D. DRAWING

LET.	REVISION	ECO	DATE	SIGN	

EQUIPMENT REF:

ASSY/TEST FIXTURES REQUIRED:

SCALE FULL C  
DRN RM 06/13/02  
ENGR  
APPD

UNLESS OTHERWISE SPECIFIED TOLERANCES  $\pm 0.010$ . DIMENSIONS IN [ ] ARE IN MILLIMETERS.