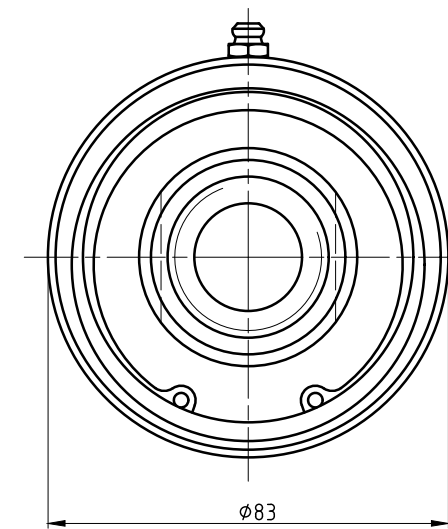
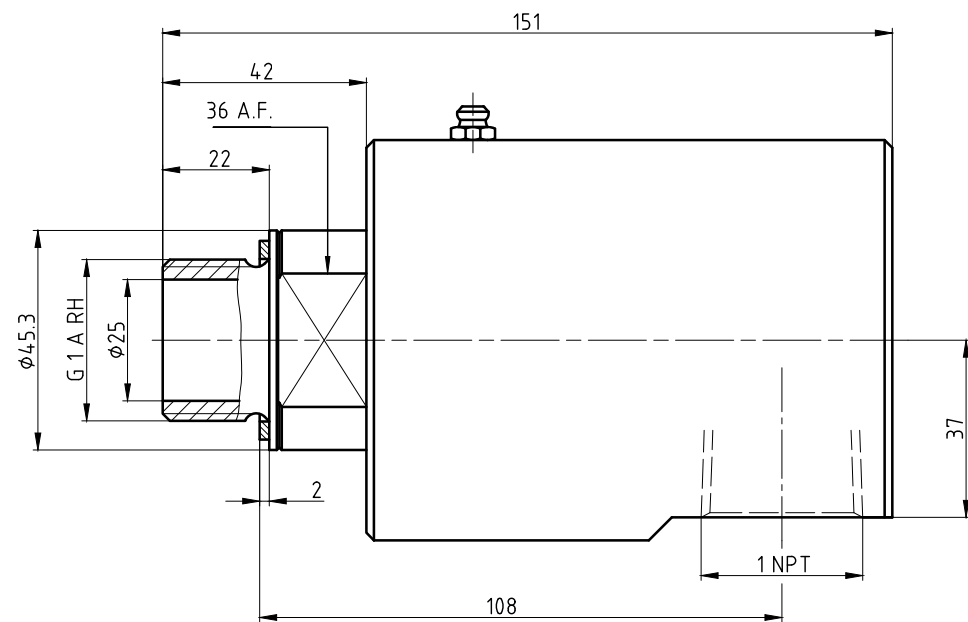


CONFIDENTIAL
 THIS DOCUMENT CONTAINS CONFIDENTIAL AND PROPRIETARY
 INFORMATION OF DEUBLIN COMPANY. COPYING, USE,
 TRANSMISSION, DISTRIBUTION, AND DISCLOSURE ARE SUBJECT
 TO THE TERMS AND CONDITIONS CONTAINED IN YOUR
 AGREEMENT WITH DEUBLIN COMPANY. ALL RIGHTS RESERVED.

NOTES:

1 - CONTACT DEUBLIN OR VISIT WWW.DEUBLIN.COM
 FOR INSTRUCTION MANUAL: 040-550



OPERATING DATA / Betriebsdaten		
MEDIA/Medium	HYDRAULIC OIL / COMPRESSED AIR Hydrauliköl / Druckluft	
p max. HYDRAULIC OIL Hydrauliköl	1000 PSI	70 bar
p max. COMPRESSED AIR Druckluft	150 PSI	10 bar
VACUUM/Vakuum max.	28" Hg	6,7 kPa
t max.	250 °F	120 °C
n max.	3000 RPM	3000 1/min



PROJECTION:
 SCALE: 1:1
 MATERIAL: INTERFACE CONTROL DRAWING

DATE	NAME
DRN. 05.05.2015	MV
ENGR. 05.05.2015	CW
APPD.	

TITLE: DEUBLIN ROTATING UNION
 DEUBLIN Drehdurchführung
 NO. 355-021-222

ISSUE MODIFICATION ECO DATE SIGN

UNLESS SPECIFICALLY TOLERANCED, ALL DIMENSIONS ARE CONSIDERED REFERENCE

SHEET A2