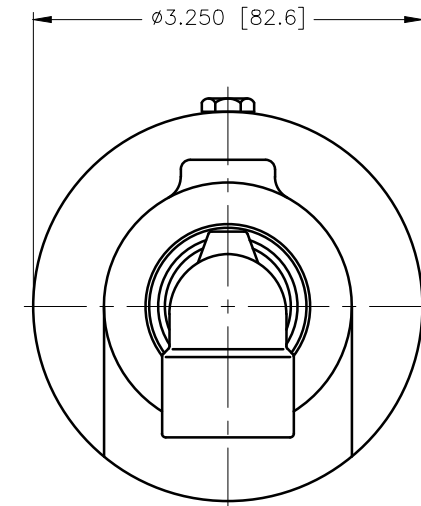
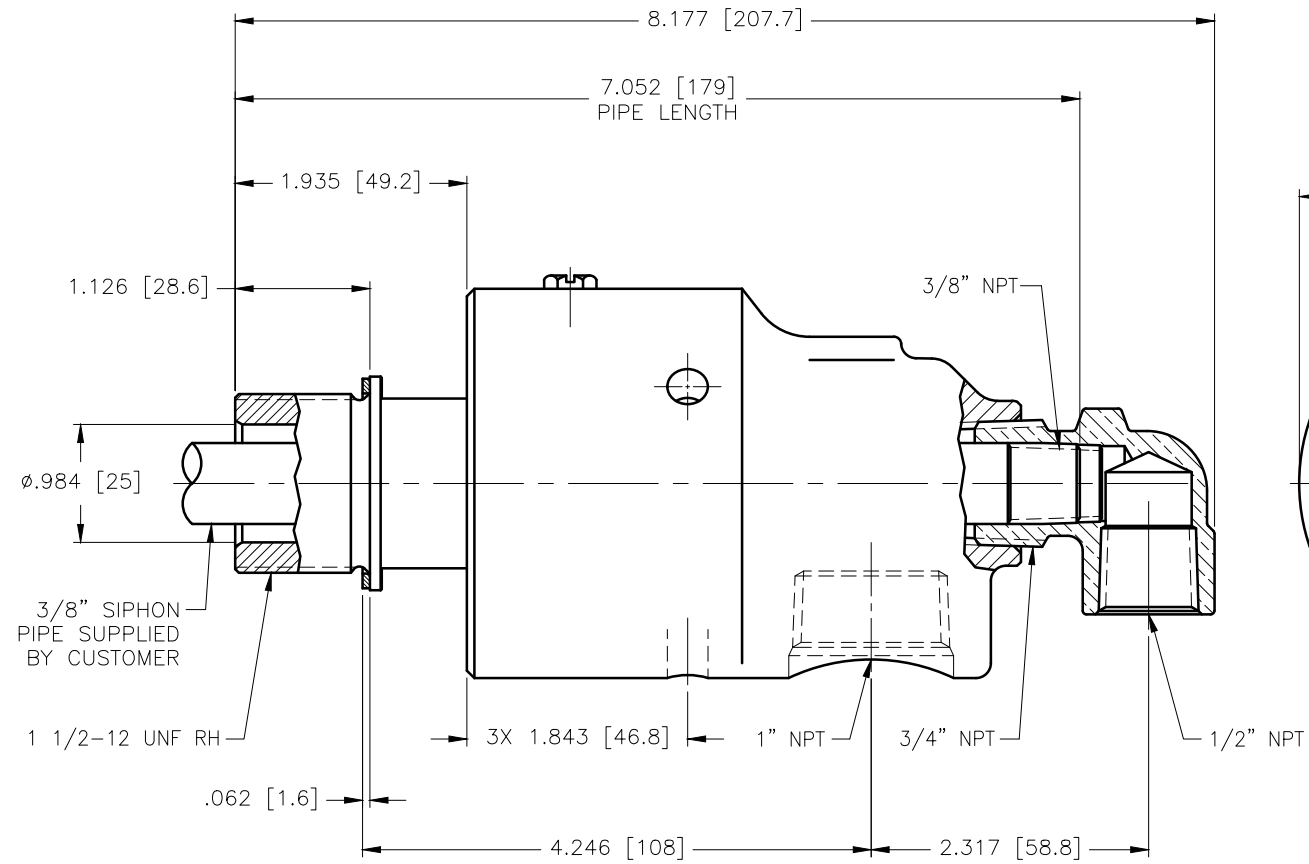
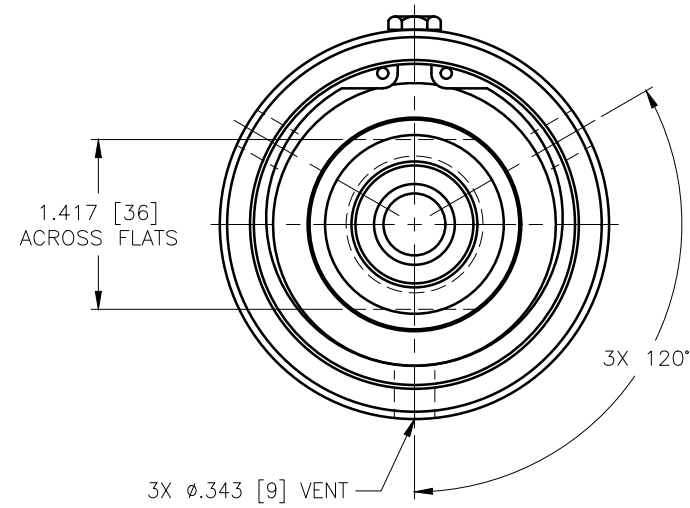


CONFIDENTIAL
 THIS DOCUMENT CONTAINS CONFIDENTIAL AND PROPRIETARY INFORMATION OF DEUBLIN COMPANY. COPYING, USE, TRANSMISSION, DISTRIBUTION, AND DISCLOSURE ARE SUBJECT TO THE TERMS AND CONDITIONS CONTAINED IN YOUR AGREEMENT WITH DEUBLIN COMPANY. ALL RIGHTS RESERVED.

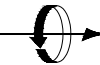


OPERATING DATA		
MEDIA	WATER	
MAX WATER PRESSURE	150 PSI	10 bar
MAX WATER TEMP.	200°F	93°C
MAX SPEED	3000 RPM	3000/min

SCALE	1 = 1	DWG SIZE
DRN	NR	11/09/09
ENGR	SS	11/09/09
APPD	SS	11/09/09
PART NO.	357-000-019083	
CUSTOMER		
LET.	REVISION	ECO DATE SIGN

UNLESS SPECIFICALLY TOLERANCED, ALL DIMENSIONS ARE REFERENCE

DIMENSIONS IN [] ARE IN MILLIMETERS.

 **DEUBLIN** COMPANY
 WAUKEGAN, ILLINOIS, U.S.A.

TITLE: INTERFACE CONTROL
 DRAWING OF DEUBLIN
 UNION 357-000-019083

DWG NO. 357-000-019083
 C.A.D. DRAWING