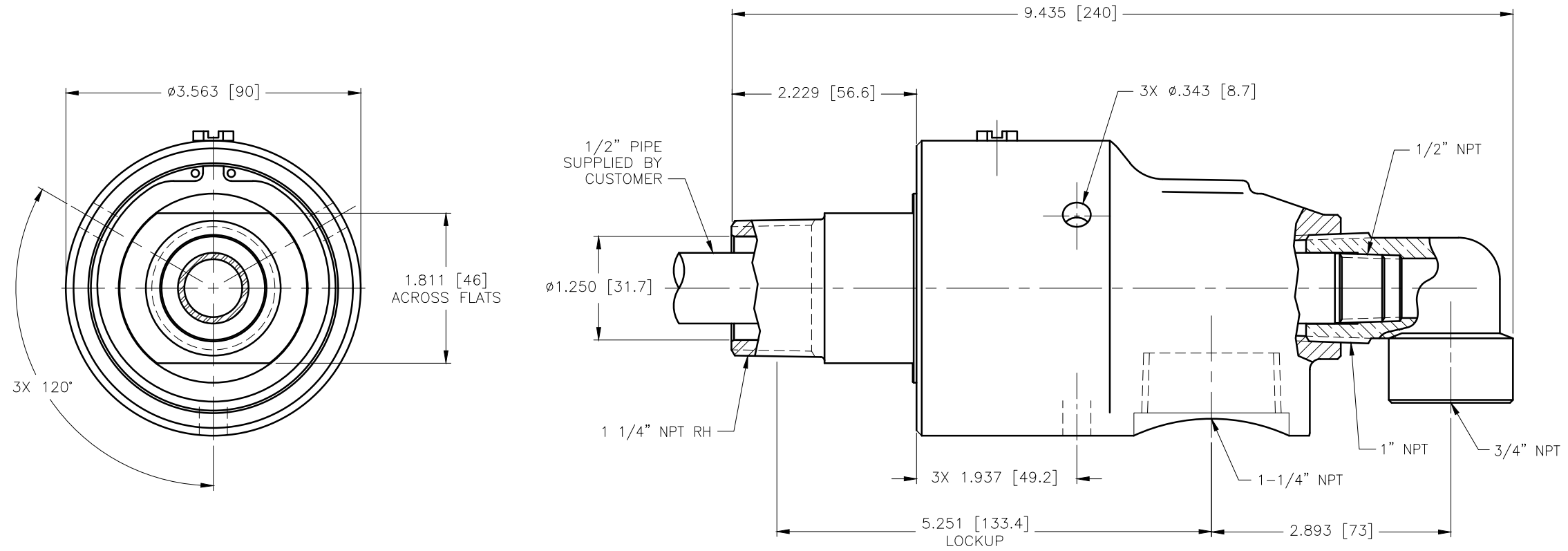
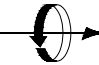


CONFIDENTIAL  
 THIS DOCUMENT CONTAINS CONFIDENTIAL AND PROPRIETARY INFORMATION OF DEUBLIN COMPANY. COPYING, USE, TRANSMISSION, DISTRIBUTION, AND DISCLOSURE ARE SUBJECT TO THE TERMS AND CONDITIONS CONTAINED IN YOUR AGREEMENT WITH DEUBLIN COMPANY. ALL RIGHTS RESERVED.



OPERATING DATA		
MEDIA	WATER	
MAX WATER PRESSURE	150 PSI	10 bar
MAX WATER TEMP.	200°F	93°C
MAX SPEED	1500 RPM	1500/min

SCALE	1 = 1	DWG SIZE		UNLESS SPECIFICALLY TOLERANCED, ALL DIMENSIONS ARE REFERENCE DIMENSIONS IN [ ] ARE IN MILLIMETERS.	 <b>DEUBLIN</b> COMPANY WAUKEGAN, ILLINOIS, U.S.A.
DRN	NR	11/13/09			
ENGR	SS	11/13/09			
APPD	SS	11/13/09			
PART NO.	527-000-001007				
CUSTOMER				TITLE: INTERFACE CONTROL DRAWING OF DEUBLIN UNION 527-000-001007	
LET.	REVISION	ECO	DATE	SIGN	DWG NO. 527-000-001007 C.A.D. DRAWING