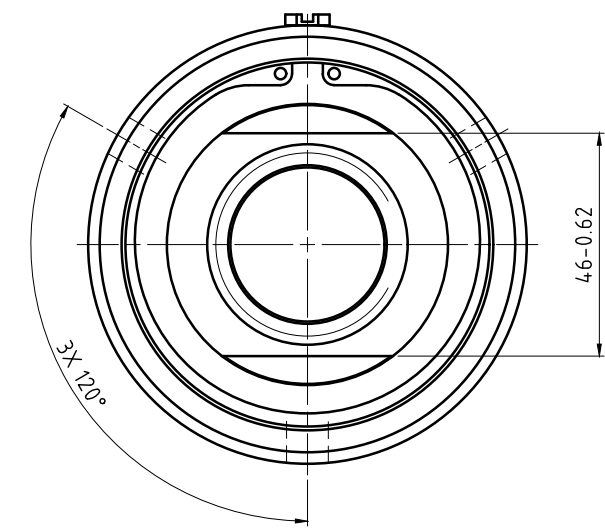
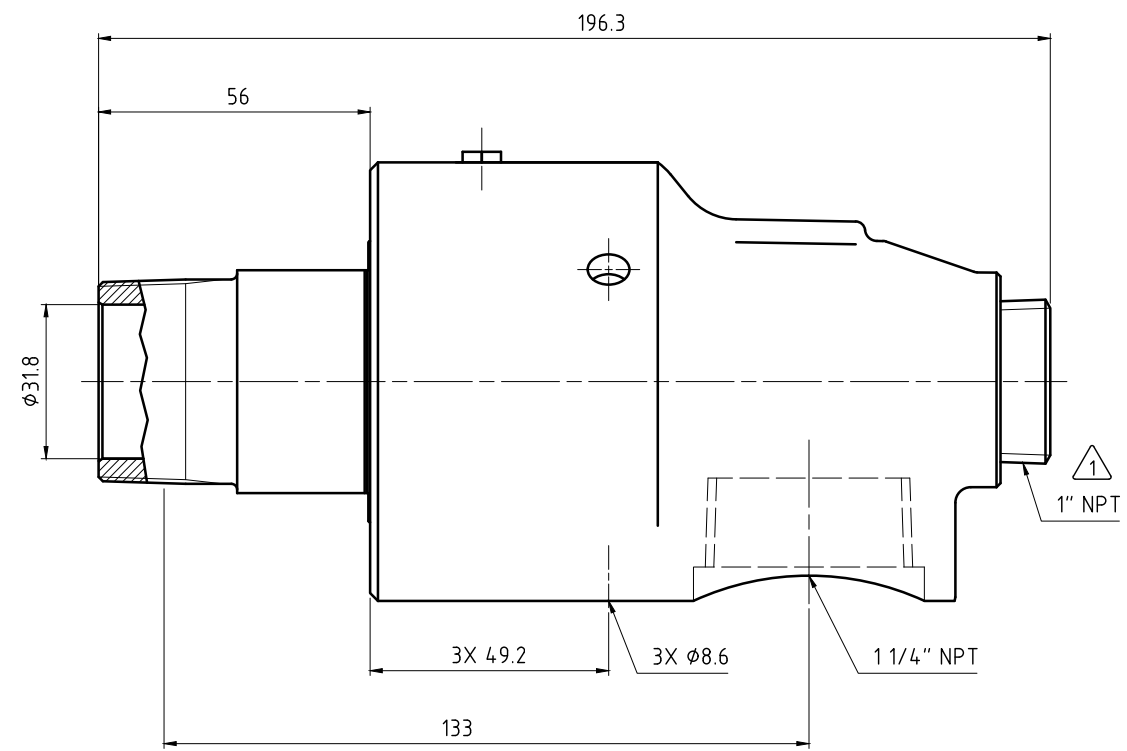
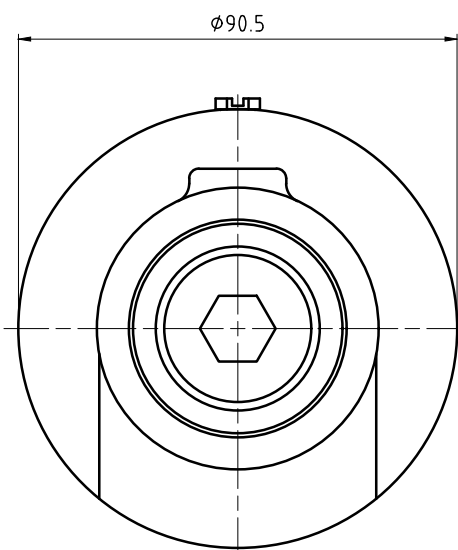
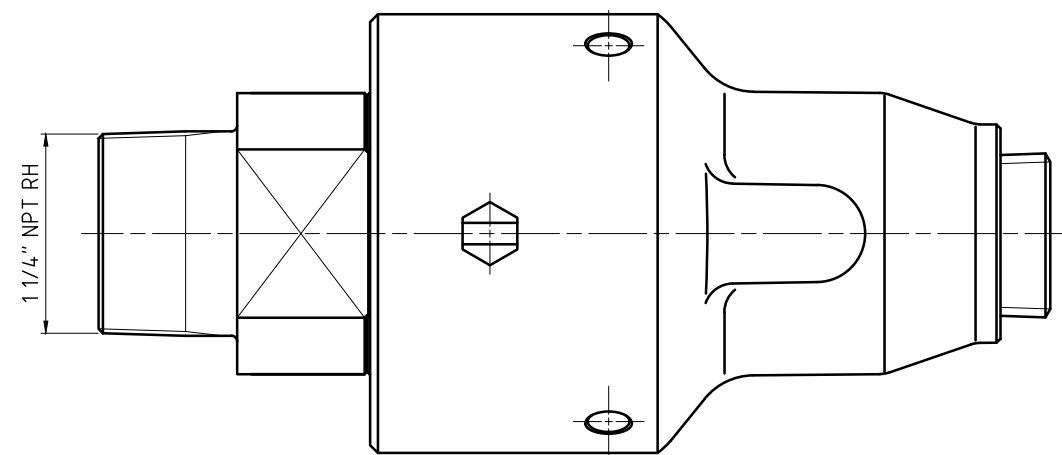


CONFIDENTIAL
 THIS DOCUMENT CONTAINS CONFIDENTIAL AND PROPRIETARY
 INFORMATION OF DEUBLIN COMPANY. COPYING, USE,
 TRANSMISSION, DISTRIBUTION, AND DISCLOSURE ARE SUBJECT
 TO THE TERMS AND CONDITIONS CONTAINED IN YOUR
 AGREEMENT WITH DEUBLIN COMPANY. ALL RIGHTS RESERVED.

NOTES:

1 - PLUG INSTALLED HAND TIGHT FROM FACTORY. IF PORT IS NOT UTILIZED,
 TIGHTEN BEFORE USE.



OPERATING DATA		
MEDIA	WATER	
MAX WATER PRESSURE	150 PSI	10 bar
MAX WATER TEMP.	200°F	93°C
MAX SPEED	1500 RPM	1500/min

		PROJECTION: 	SCALE: 1:1 MATERIAL:
		DATE: 09/08/04 NAME: RM	TITLE: DEUBLIN UNION
		ENGR: 09/08/04 NAME: ARS	NO.: 527-050-001
		APPD.	SHEET: A2
B A	UPDATED IN AGLE UPDATED TO MS	016290 016288	12/11 12/11
ISSUE MODIFICATION	ECO DATE	SIGN	UNLESS SPECIFICALLY TOLERANCED, ALL DIMENSIONS ARE CONSIDERED REFERENCE