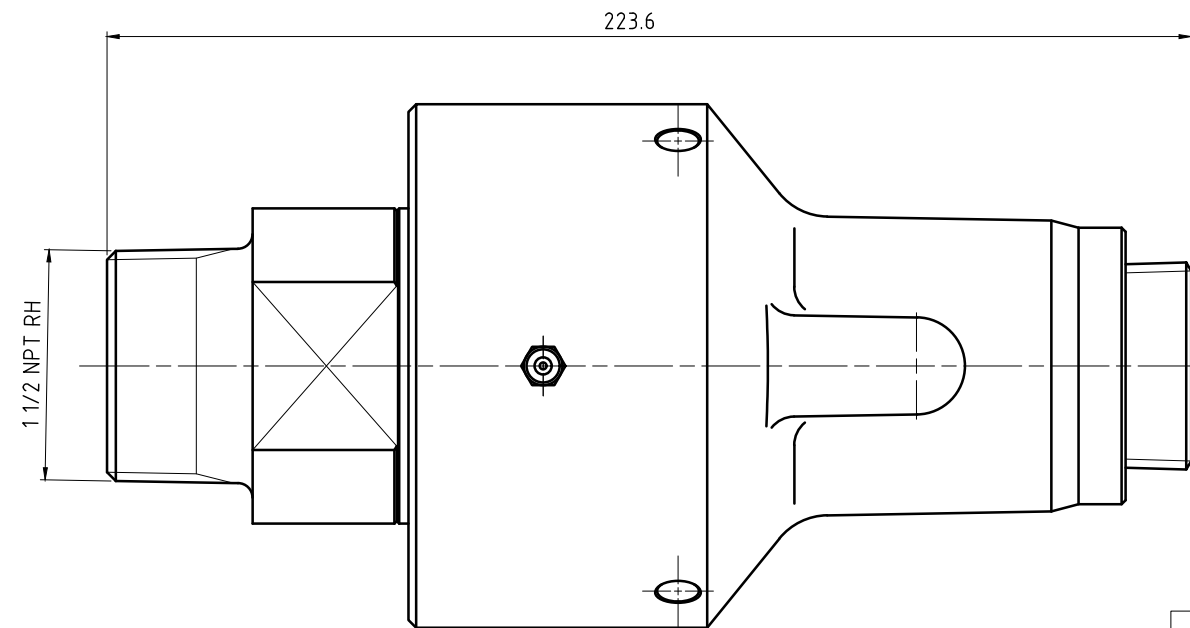
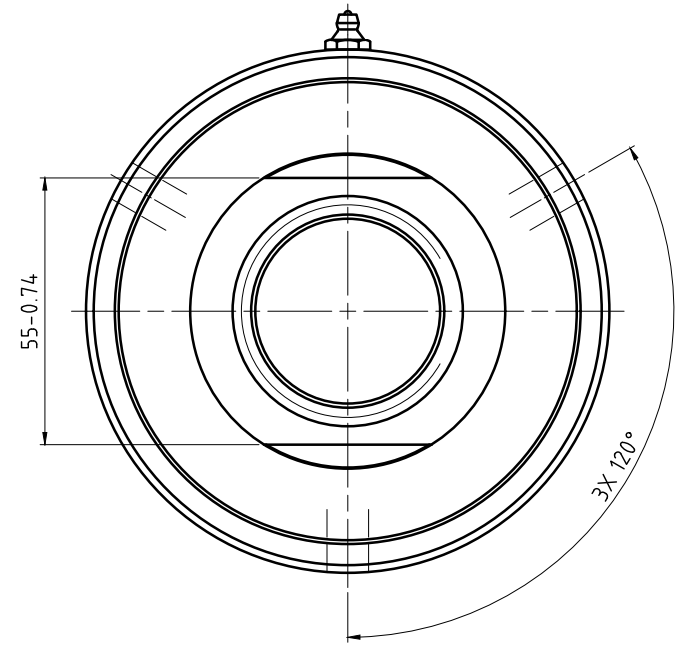
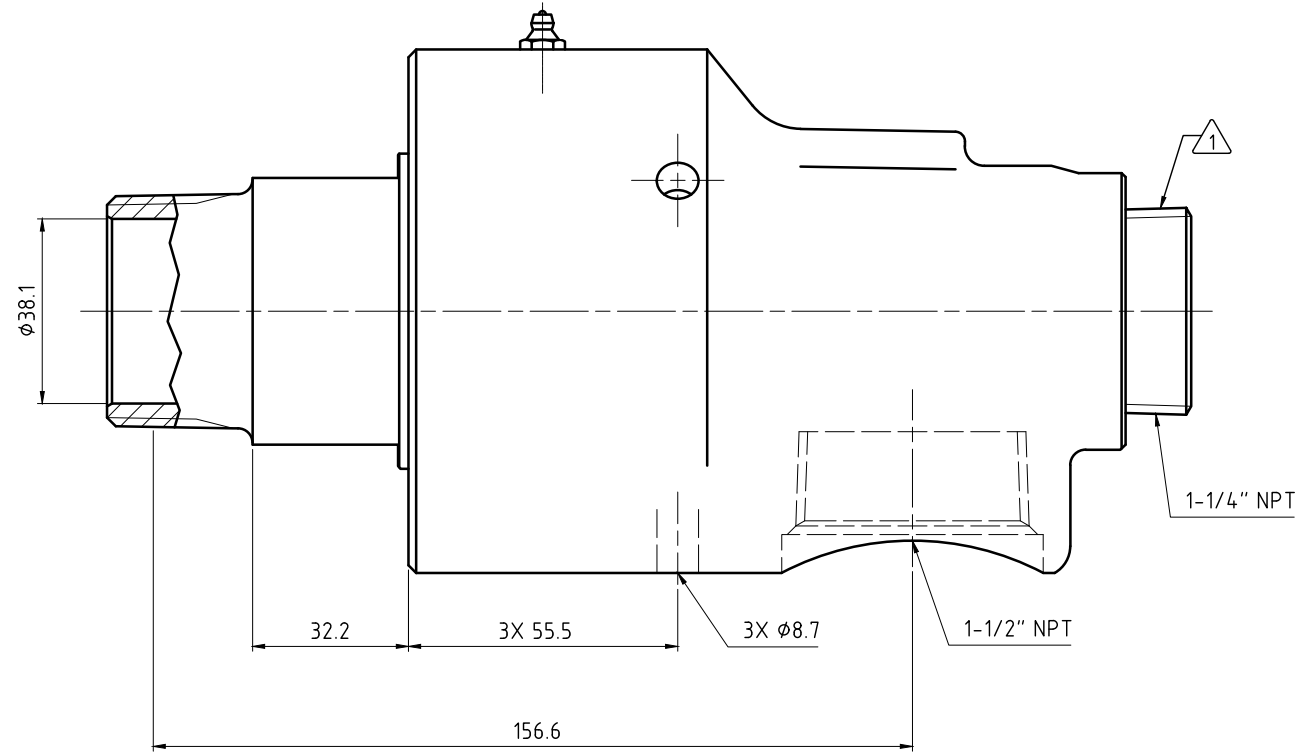
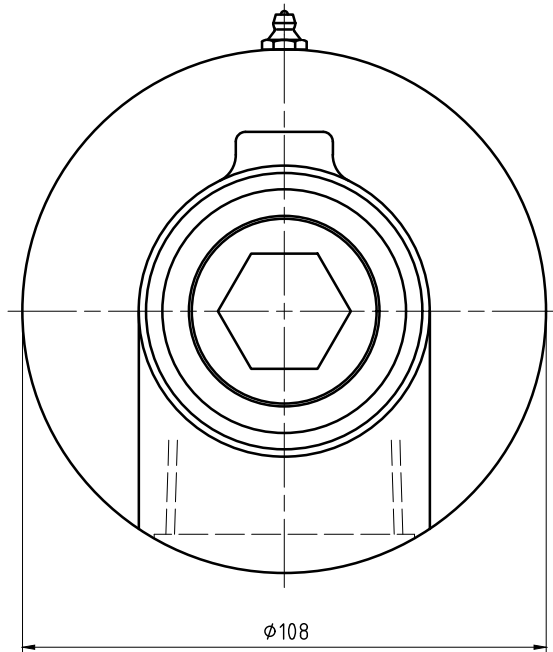


CONFIDENTIAL
 THIS DOCUMENT CONTAINS CONFIDENTIAL AND PROPRIETARY
 INFORMATION OF DEUBLIN COMPANY. COPYING, USE,
 TRANSMISSION, DISTRIBUTION, AND DISCLOSURE ARE SUBJECT
 TO THE TERMS AND CONDITIONS CONTAINED IN YOUR
 AGREEMENT WITH DEUBLIN COMPANY. ALL RIGHTS RESERVED.

NOTES:

① - PLUG INSTALLED HAND TIGHT FROM FACTORY. IF PORT IS NOT UTILIZED,
 TIGHTEN BEFORE USE.



OPERATING DATA			
MEDIA	★ WATER	SATURATED STEAM (INTERMITTENT)	HOT OIL
PRESSURE MAX.	50 bar	1 bar	6.6 bar
SPEED MAX.	1000 min ⁻¹	1000 min ⁻¹	1000 min ⁻¹
TEMPERATURE MAX.	120 °C	120 °C	120 °C
DRY RUN (WITHOUT ANY MEDIA)	NO		
ADDITIONAL INFORMATION	★ PRESSURES EXCEEDING 8 bars ONLY PERMISSIBLE WITH COLD WATER (50°C MAX.)		

DEUBLIN
 Engineered for Performance

PROJECTION:

SCALE: 1:1

MATERIAL: INTERFACE CONTROL DRAWING

DATE	NAME	TITLE
DRN. 06/03/13	N. Reyna	DEUBLIN UNION
ENGR. 06/03/13	T. Wilson	
APPD.		

NO. 555-376-001

SHEET A2

UNLESS SPECIFICALLY TOLERANCED, ALL DIMENSIONS ARE CONSIDERED REFERENCE

ISSUE MODIFICATION ECO DATE SIGN